

METRIC 1. ALL DIMENSIONS ARE IN MILLIMETERS UNLESS OTHERWISE NOTED.
2. ALL WEIGHTS ARE IN KILOGRAMS.

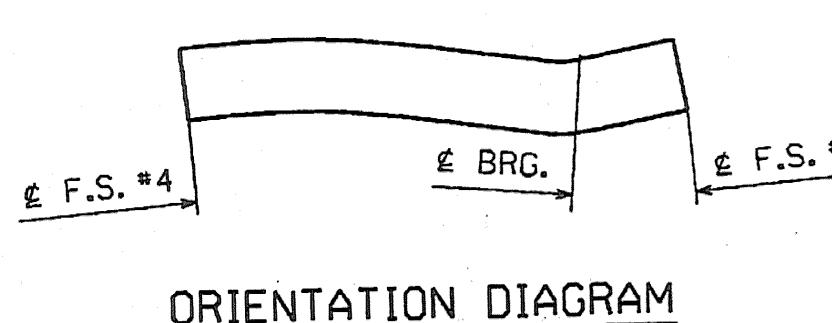
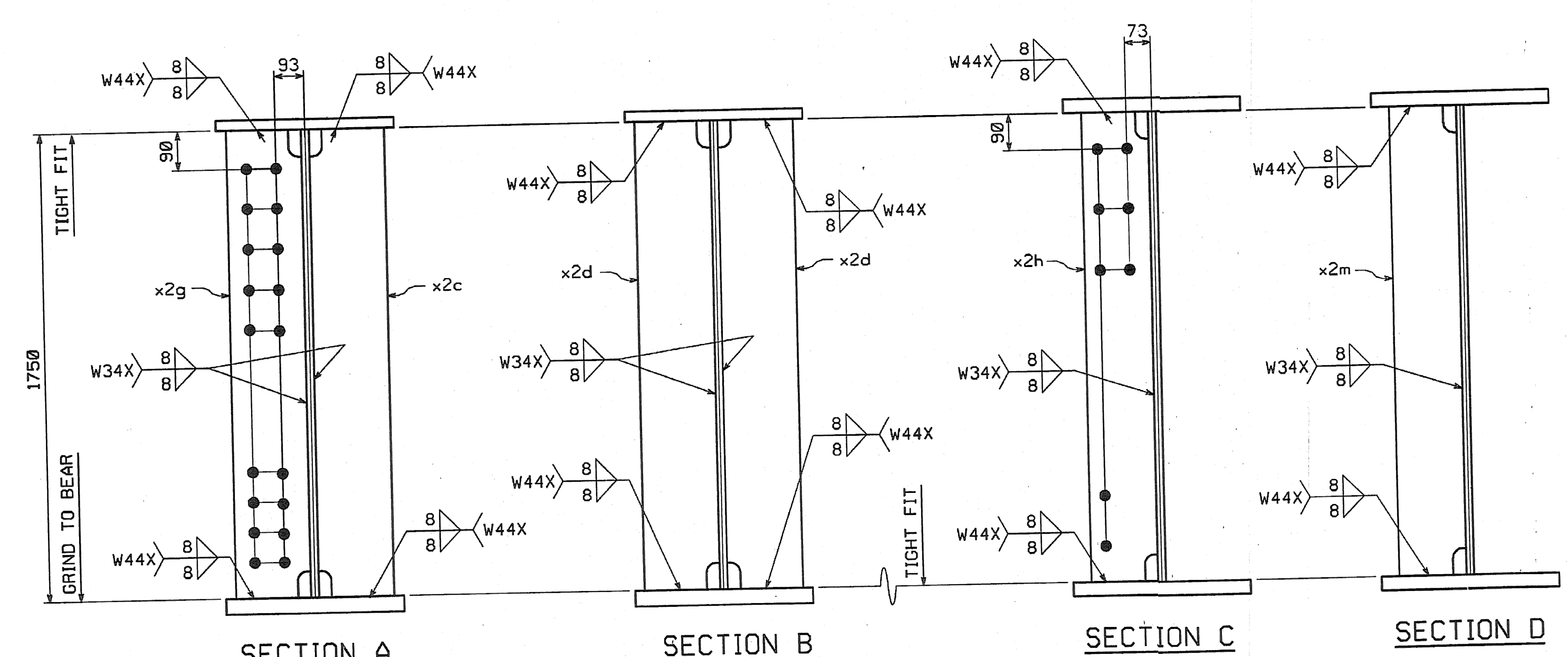
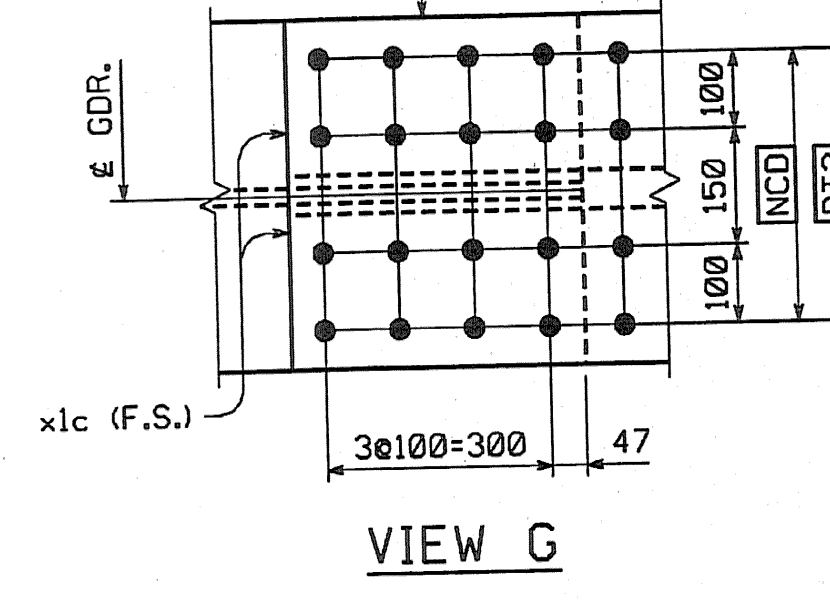
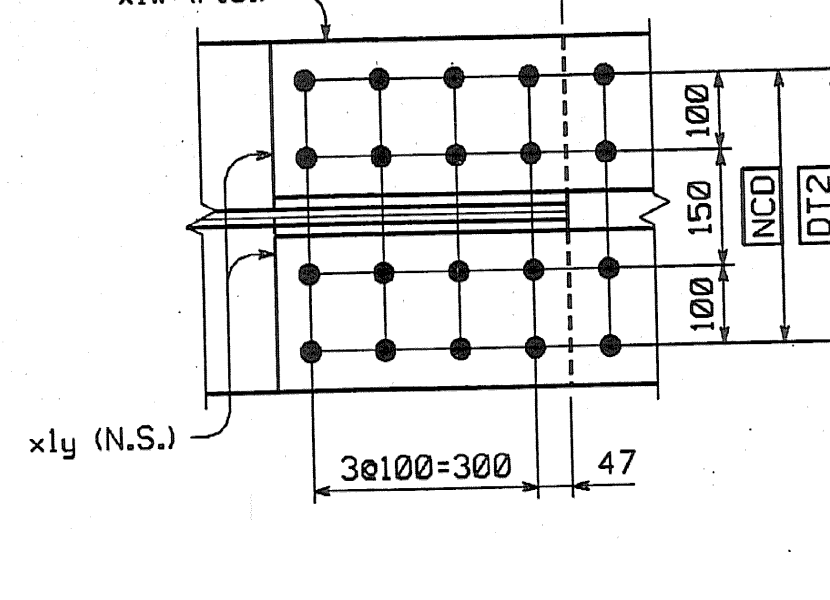
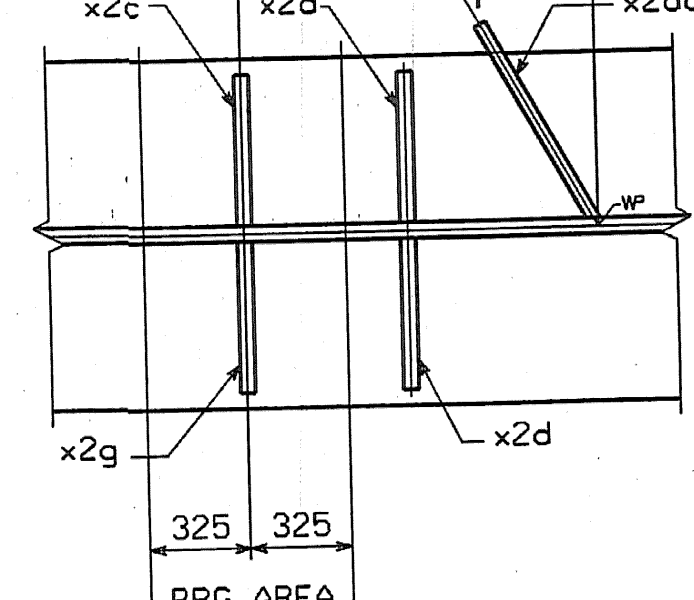
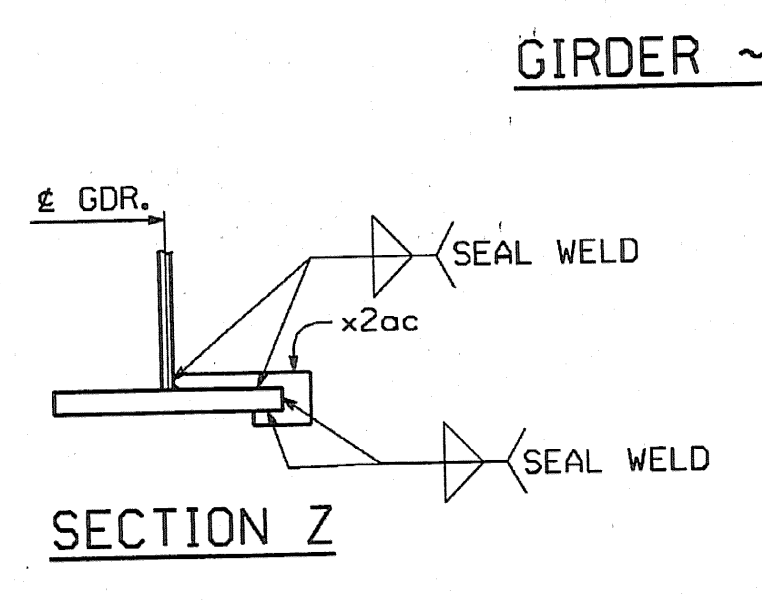
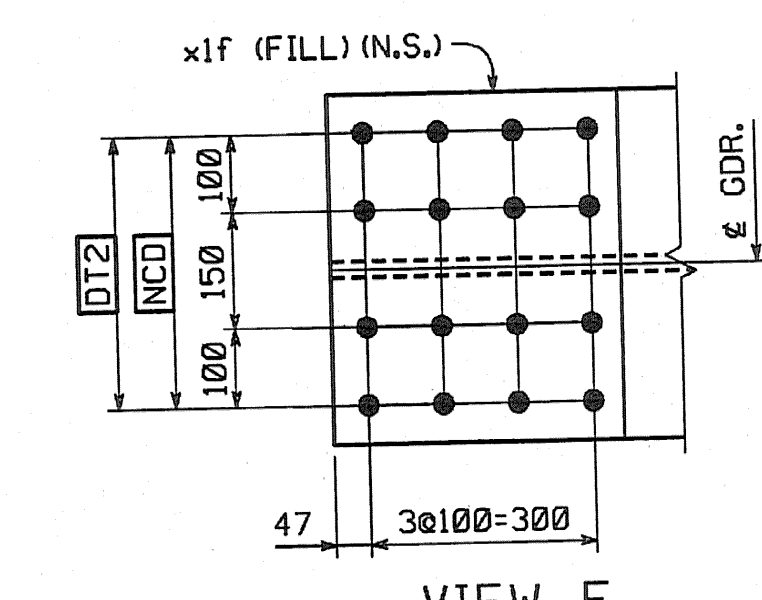
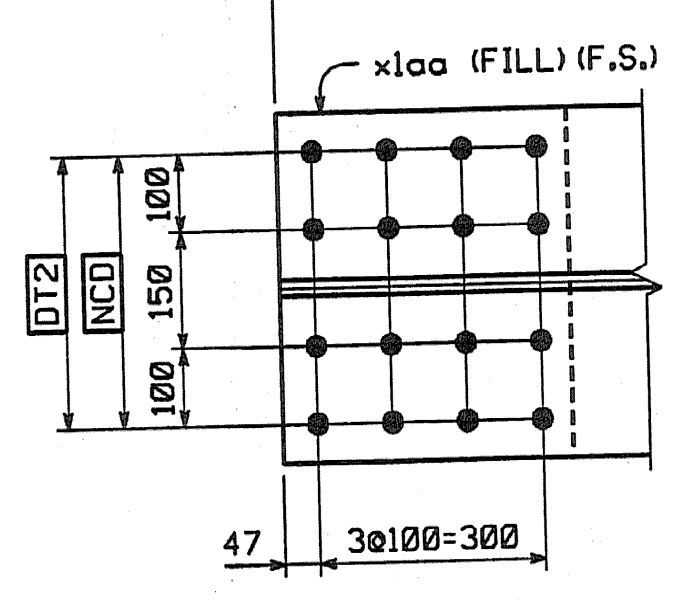
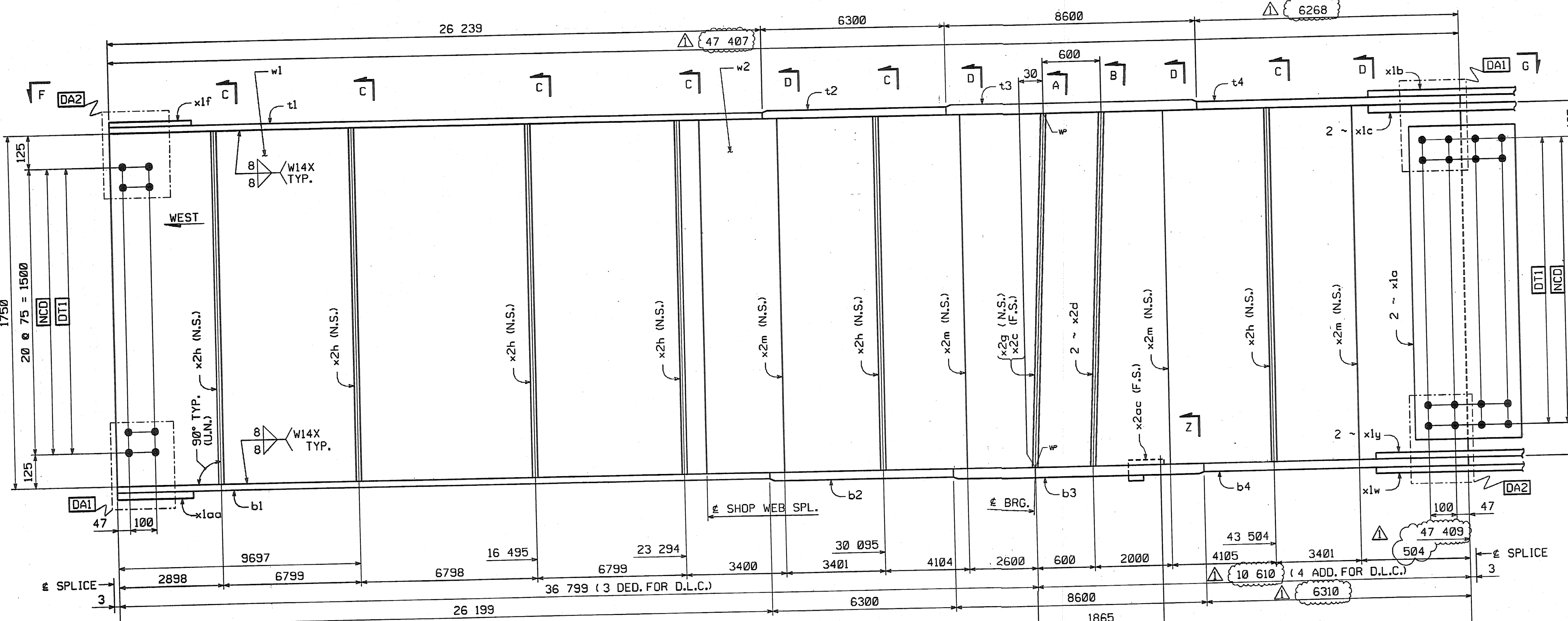
FED. ROAD DIV. NO.	STATE	FED. AID PROJ. NO.
	VT	

BILL OF MATERIAL

NO.	MARK	DESCRIPTION	LENGTH	REMARKS	GRP.	ITEM	SHIP. WT. KG. EA.
ONE	G1E	GIRDER					22 320
1	w1	PL 16 x 1750	23 810	(T)	3	6	5232.84
1	w2	PL 16 x 1750	29 609	(T) 47408	3	2	5188.66
1	t1	PL 22 x 450	26 239	(T)	4	18	2698.93
1	t2	PL 32 x 450	6 300	(T)	4	15	712.07
1	t3	PL 65 x 450	8 600	(T)	4	3	1974.44
1	t4	PL 22 x 450	6 269	(T) 6268	4	16	708.57
1	b1	PL 32 x 450	26 199	(T)	4	20	2695.82
1	b2	PL 32 x 450	6 300	(T)	4	15	712.07
1	b3	PL 65 x 450	8 600	(T)	4	3	1974.44
1	b4	PL 32 x 450	6 311	(T) 6310	4	14	713.31
2	x1a	PL 12 x 1600	400	(T)	6	1	60.28
1	x1b	PL 14 x 450	790	(T)	6	6	39.06
2	x1c	PL 16 x 200	790	(T)	6	5	49.84
1	x1f	PL 10 x 450	392	FILL	6	7	13.85
1	x1w	PL 14 x 450	790	(T)	6	8	39.06
2	x1y	PL 16 x 200	790	(T)	6	5	49.84
1	x1aa	PL 10 x 450	392	FILL	6	7	13.85
1	x2c	PL 38 x 200	1 750		7	1	104.39
2	x2d	PL 38 x 200	1 750		7	1	104.39
1	x2g	PL 38 x 200	1 750		7	1	104.39
6	x2h	PL 12 x 180	1 750		7	4	29.87
4	x2m	PL 12 x 180	1 750		7	4	29.87
1	x2ac	PL 6 x 145	301		7	5	1.83

TOTAL WEIGHT THIS SHEET: 22312.81 kgs

* See sheet 9 of 112
22311.95 kgs
22,311.74 kgs



SHOP NOTE
HOLES: 1 3/8"
BOLTS: NONE
PAINT: NONE
FOR GENERAL SHOP NOTES, SEE DWG. GNI.
FOR WEB CAMBER DIAGRAM, SEE DWG. WC2.

SHOP DRAWING REVIEW

REVIEWER'S REQUIRED BY THE CONSTRUCTION CONTRACT DOCUMENTS AND APPROVED BUT NOT A GUARANTEE OF THE DESIGN OR CONSTRUCTION OF THE WORK, AND SUBJECT TO FURTHER LIMITATIONS AND REQUIREMENTS CONTAINED IN THE CONSTRUCTION CONTRACT DOCUMENTS.

DATE: 11/17/04

NO.	REVISION	BY	DATE
1	INCREASE LENGTH TO SATISFY REQUIREMENTS FOR LENGTH	SSJ	11/17/04
2	MEAN TEMPERATURE OF 45°F.		

HIGH STEEL STRUCTURES, INC.
1770 Hempstead Road
Lancaster, PA 17605-0008
Phone 717/299-5211

GIRDER G1E

VT 78 OVER MISSISQUOI BAY, BRIDGE NO. 2
VT 78 STA.10+970.425 TO STA.12+059.775
TOWNS OF ALBURG AND SWANTON
COUNTIES OF GRAND ISLE AND FRANKLIN
STATE OF VERMONT, AGENCY OF TRANSPORTATION

STATE CONTRACT OR REF. NO. BRF-036-1(1)

CONTRACTOR: CIAMBRO CORPORATION
IN CHARGE: GLIDDEN (IH) MADE BY: SSL CHK'D. BY: CS DATE: 8-16-04

CONTRACT NUMBER: VT-04057-1 DRAWING NUMBER: 17 OF 112