

METRIC

METRIC 1. ALL DIMENSIONS ARE IN MILLIMETERS UNLESS OTHERWISE NOTED. 2. ALL WEIGHTS ARE IN KILOGRAMS.

FED. ROAD DIV. NO.	STATE	FED. AID PROJ. NO.
	VT	

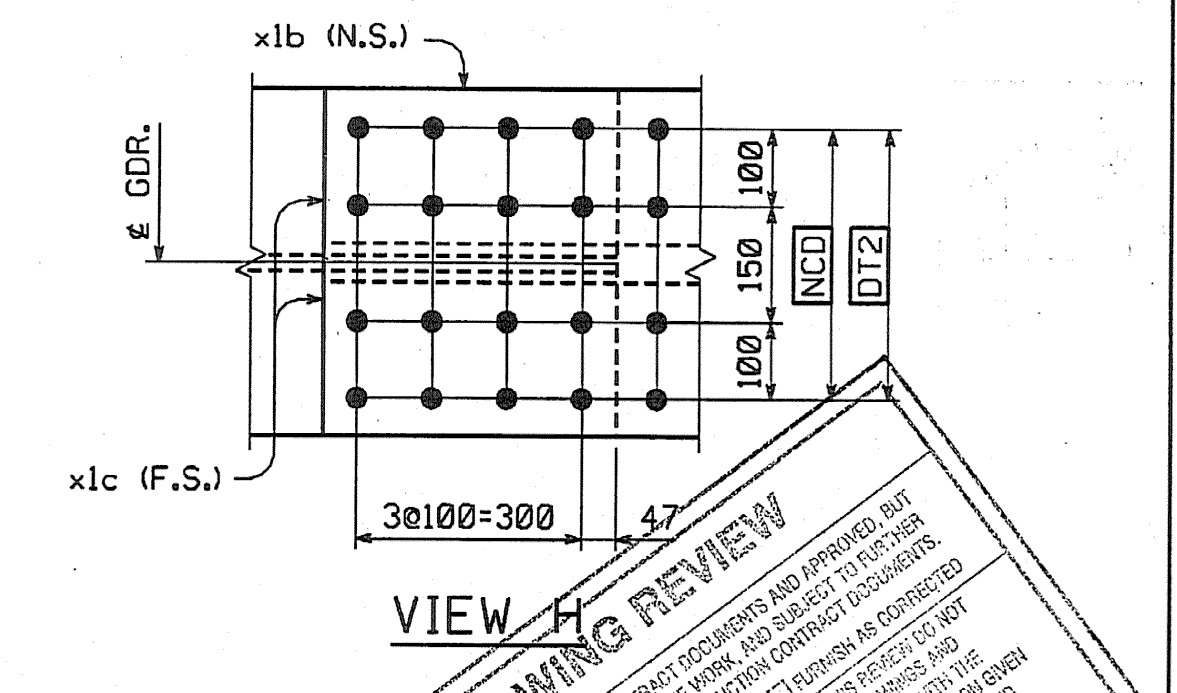
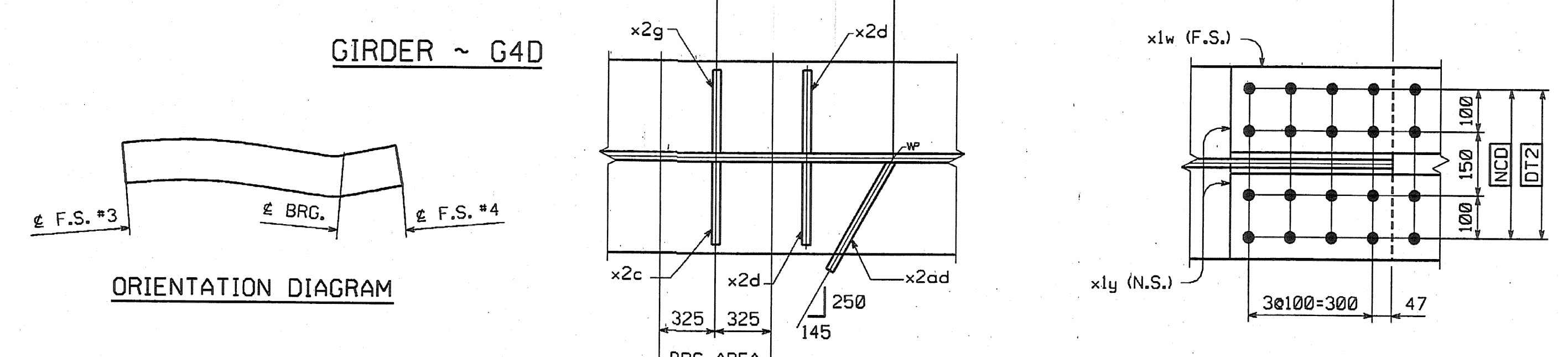
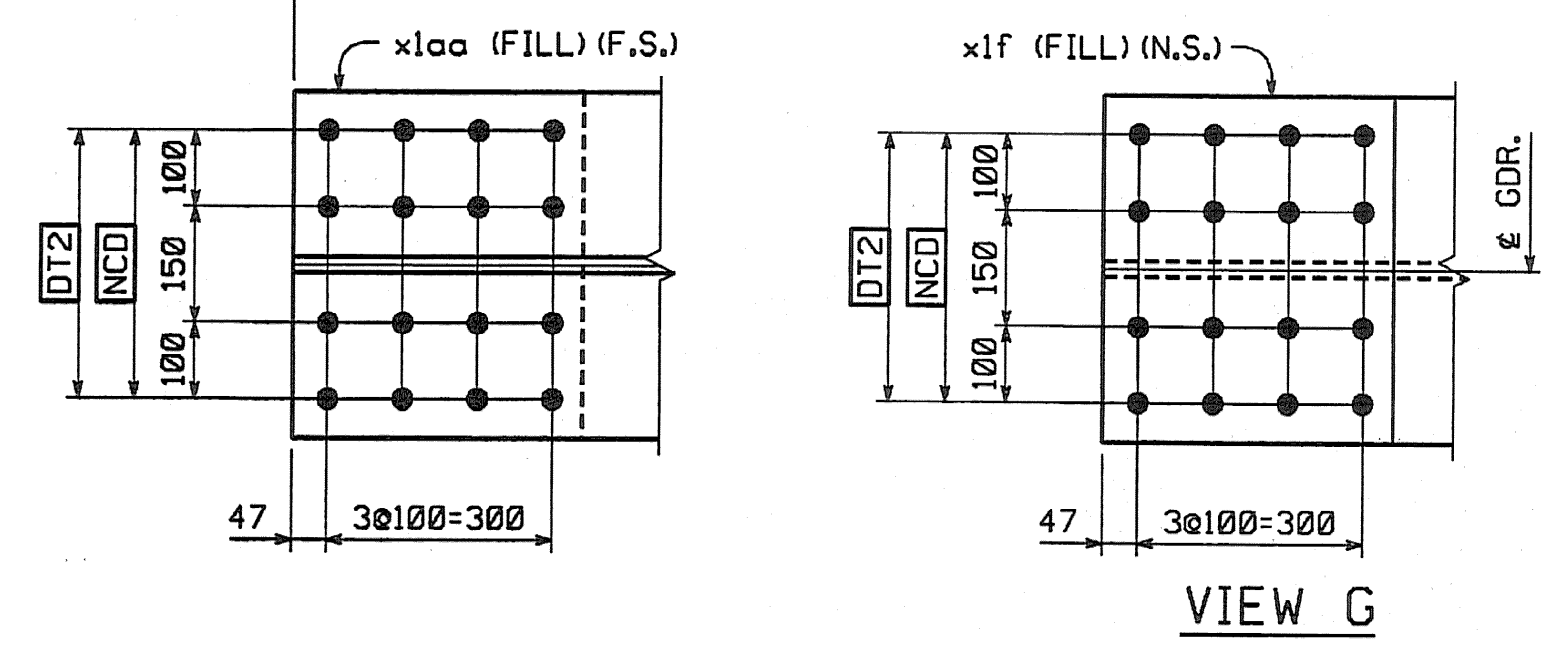
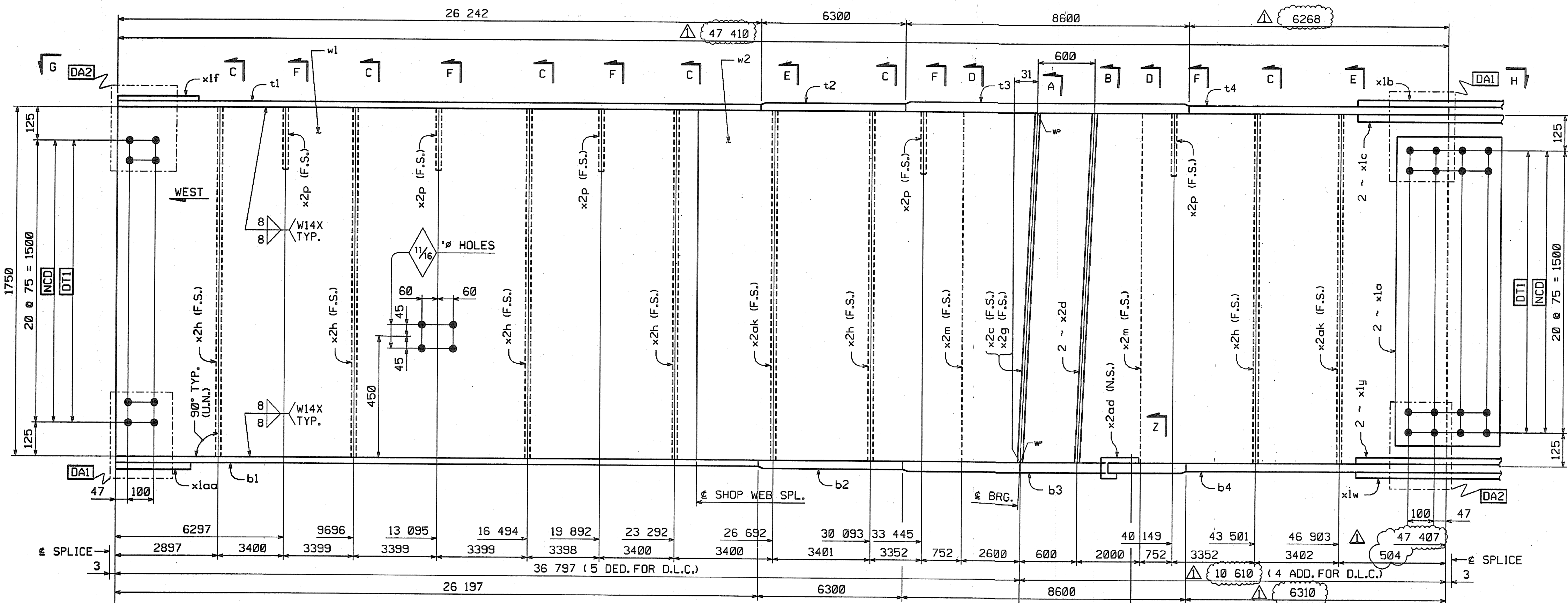
BILL OF MATERIAL

NO.	MARK	DESCRIPTION	LENGTH	REMARKS	GRP.	ITEM	SHIP. WT. KG. EA.
ONE	G4D	GIRDER					22 350
1	w1	PL 16 x 1750	23 813	(T)	3	4	5233.50
1	w2	PL 16 x 1750	23 610	(T) 47408	3	2	5188.88
1	t1	PL 22 x 450	26 242	(T)	4	17	2039.16
1	t2	PL 32 x 450	6 300	(T)	4	15	742.07
1	t3	PL 65 x 450	8 601	(T) 8600	4	2	1974.67
1	t4	PL 32 x 450	6 268	(T)	4	16	708.45
1	b1	PL 22 x 450	26 197	(T)	4	20	2895.67
1	b2	PL 32 x 450	6 300	(T)	4	15	712.07
1	b3	PL 65 x 450	8 601	(T)	4	2	1974.67
1	b4	PL 32 x 450	6 310	(T)	4	14	743.20
2	x1a	PL 12 x 1600	400	(T)	6	1	-60.28
1	x1b	PL 14 x 450	790	(T)	6	6	-99.08
2	x1c	PL 16 x 200	790	(T)	6	5	-48.84
1	x1f	PL 10 x 450	392	FILL	6	7	13.85
1	x1w	PL 14 x 450	790	(T)	6	6	39.06
2	x1y	PL 16 x 200	790	(T)	6	5	19.84
1	x1aa	PL 10 x 450	392	FILL	6	7	13.85
1	x2c	PL 38 x 200	1 750		7	1	104.39
2	x2d	PL 38 x 200	1 750		7	1	104.39
1	x2g	PL 38 x 200	1 750		7	1	104.39
6	x2h	PL 12 x 180	1 750		7	4	29.67
2	x2m	PL 12 x 180	1 750		7	4	29.67
5	x2p	PL 14 x 180	310		7	3	6.13
1	x2ad	PL 6 x 115	301	* 79650	7	5	-1.63
2	x2ak	PL 12 x 180	1 750		7	4	29.67

TOTAL WEIGHT THIS SHEET: 22 344.66 kgs

\* See Sheet 9 of 112

22342.60 kg JMR 7-25-06



**SHOP NOTE**

HOLES: 1 1/2" DIA.

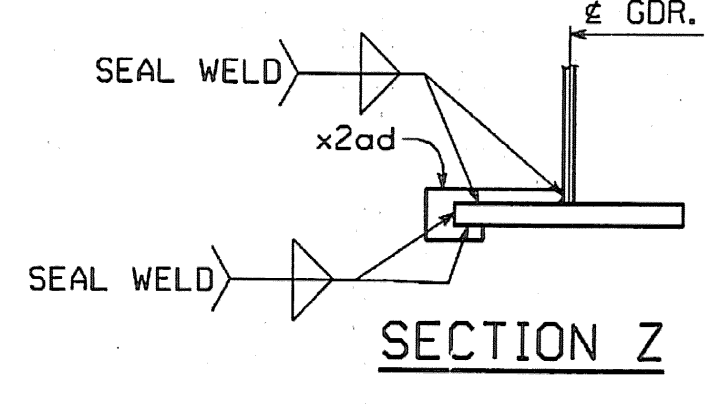
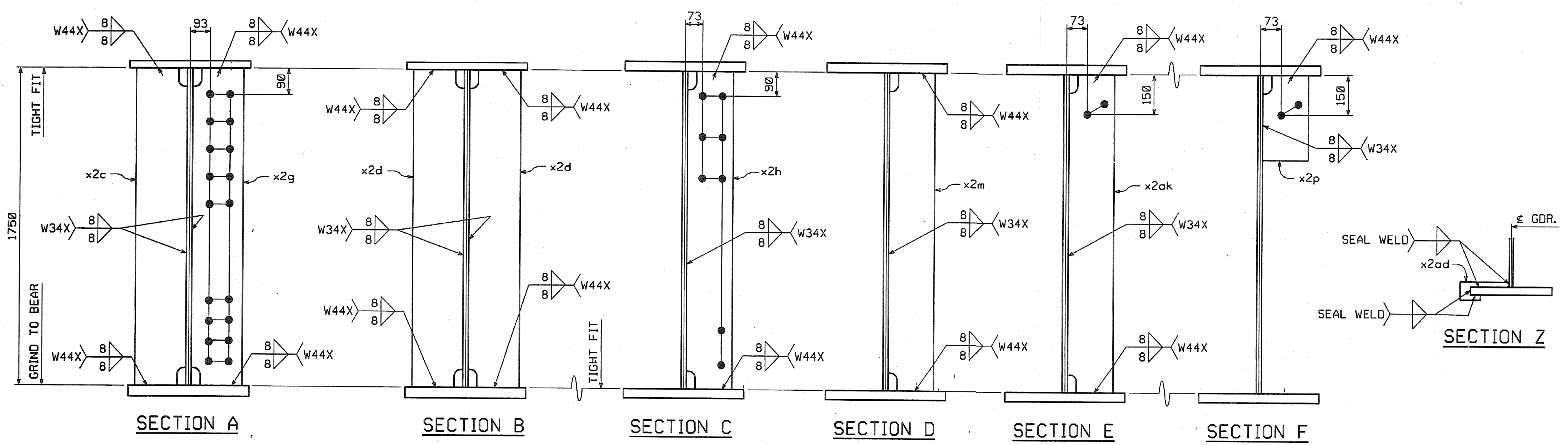
BOLTS: NONE

PAINT: NONE

FOR GENERAL SHOP NOTES: SEE DWG. G4D

FOR WEB CAMBER DIAGRAM: SEE DWG. WCB

REVIEWED BY: [Signature]



NO.	REVISION	BY	DATE
INCREASE LENGTHS TO SATISFY REQUIREMENTS FOR LENGTH & MEAN TEMPERATURE OF 45°F. DP 9/17/04			
STATE CONTRACT OR REF. NO. BRF-036-1(1)			
CONTRACTOR CIAMBRO CORPORATION			
IN CHARGE: GLIDDEN (IH) MADE BY: SSL CHK'D. BY: CS DATE: 8-18-04			
CONTRACT NUMBER: VT-04057-1 DRAWING NUMBER: 16 OF 112			

CODE:30

BY: dpminter

PLOTTED: 9/29/2004 10:45:54 PM