

METRIC

1. ALL DIMENSIONS ARE IN MILLIMETERS UNLESS OTHERWISE NOTED.
2. ALL WEIGHTS ARE IN KILOGRAMS.

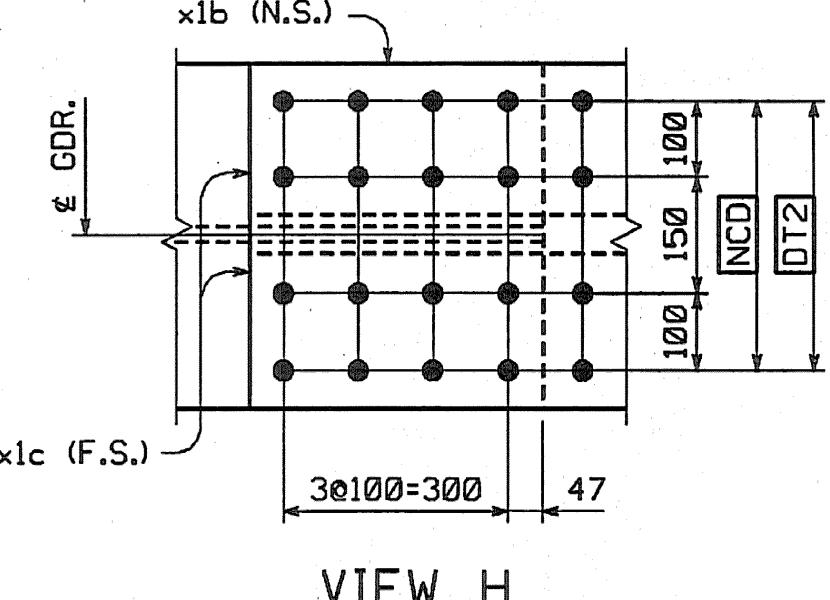
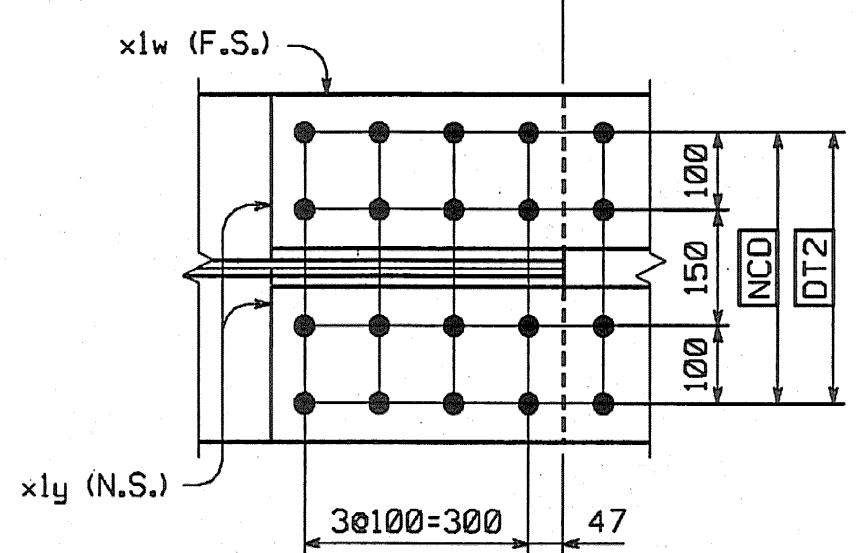
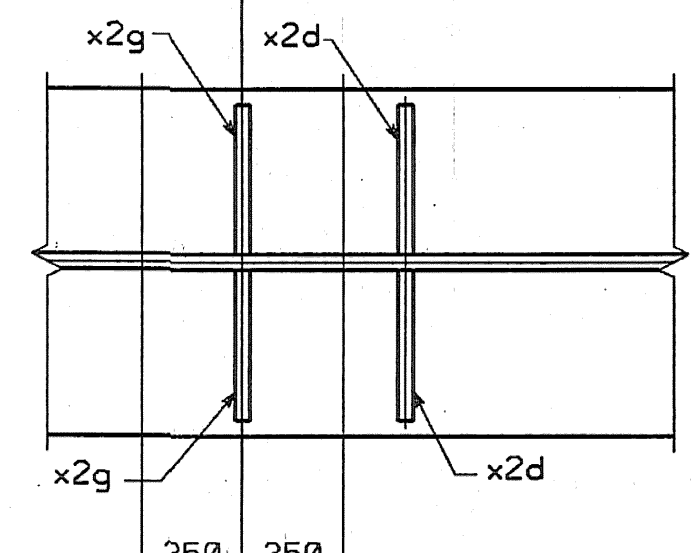
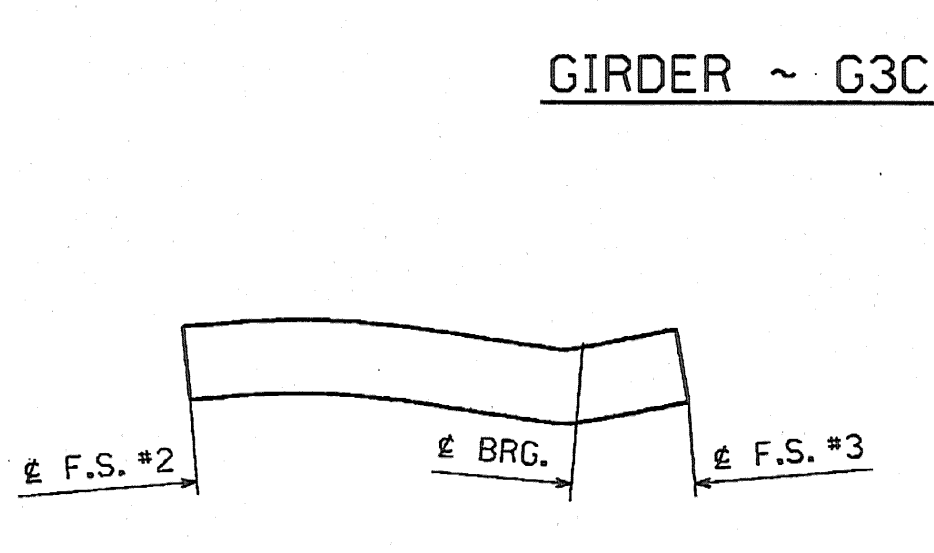
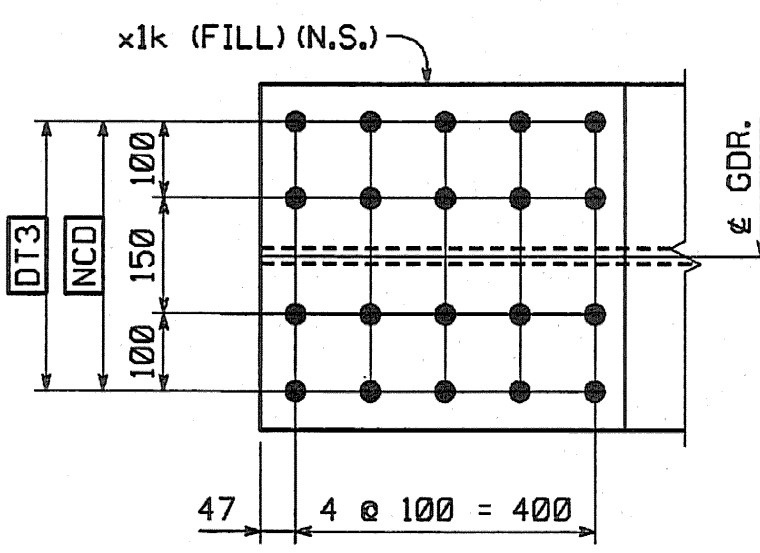
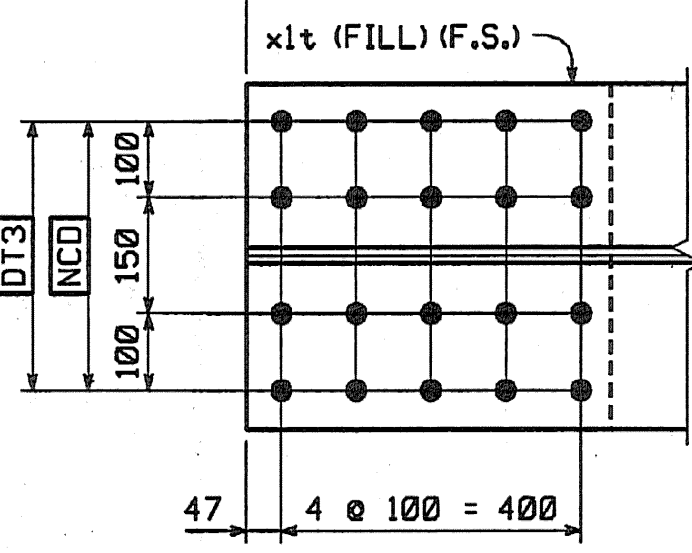
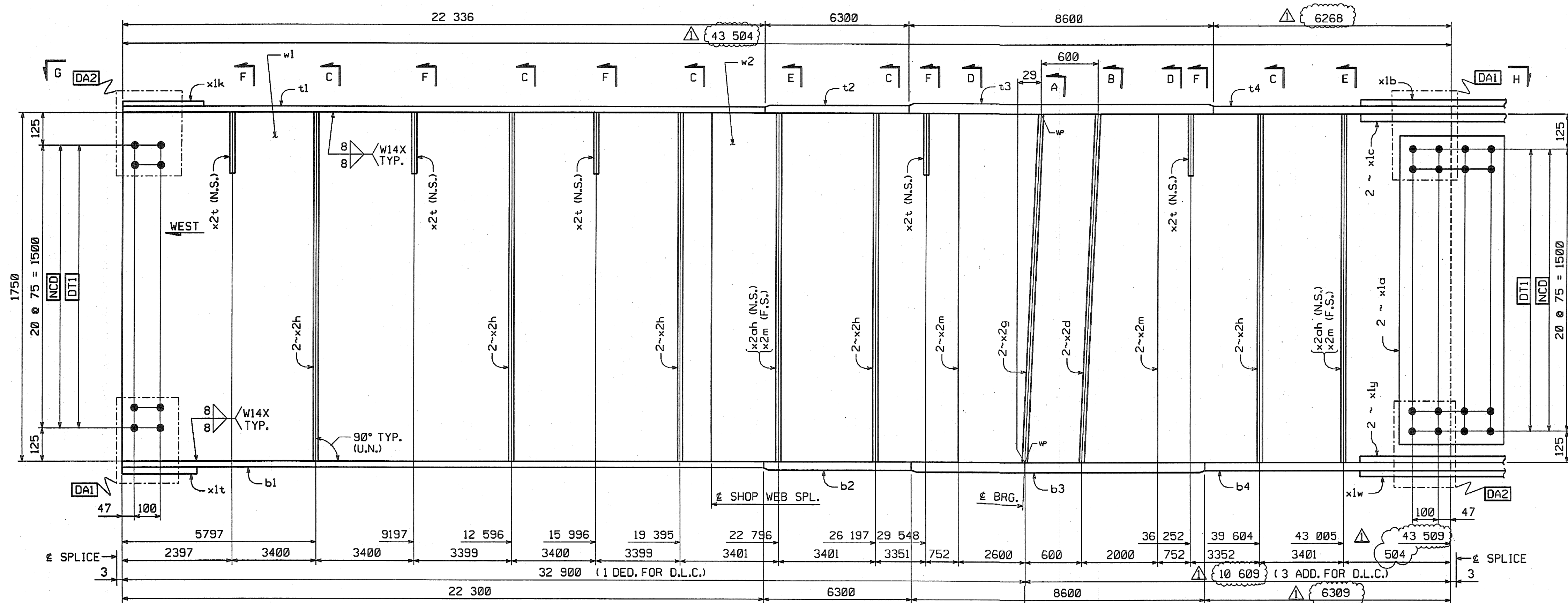
FED. ROAD DIV. NO.	STATE	FED. AID PROJ. NO.
	VT	

BILL OF MATERIAL

NO.	MARK	DESCRIPTION	LENGTH	REMARKS	GRP.	ITEM	SHIP. WT. KG. EA.
ONE	G3C	GIRDER					21 150
1	w1	PL-18 x	1750	19 908 (T)	3	9	4375.28
1	w2	PL-16 x	1750	23-608 (T)	3	2	-6188.44
1	t1	PL-22 x	450	22 336 (T)	4	22	1735.64
1	t2	PL-32 x	450	6 300 (T)	4	15	-742.07
1	t3	PL-65 x	450	8 600 (T)	4	3	1974.44
1	t4	PL-32 x	450	6 288 (T)	4	16	708.45
1	b1	PL-22 x	450	22 300 (T)	4	24	1732.85
1	b2	PL-32 x	450	6 300 (T)	4	15	-742.07
1	b3	PL-65 x	450	8 600 (T)	4	3	1974.44
1	b4	PL-32 x	450	6 309 (T)	4	14	-743.09
2	x1a	PL-12 x	1600	400 (T)	6	1	60.28
1	x1b	PL-14 x	450	790 (T)	6	6	39.06
2	x1c	PL-16 x	200	790 (T)	6	5	-19.84
1	x1k	PL-18 x	450	492 FILL	6	4	31.28
1	x1l	PL-18 x	450	492 FILL	6	4	31.28
1	x1w	PL-14 x	450	790 (T)	6	6	39.06
2	x1y	PL-16 x	200	790 (T)	6	5	-19.84
2	x2d	PL-38 x	200	1750	7	1	104.39
2	x2g	PL-38 x	200	1750	7	1	104.39
10	x2h	PL-12 x	180	1750	7	4	29.67
6	x2m	PL-12 x	180	1750	7	4	29.67
5	x2l	PL-14 x	180	310	7	3	-6.19
2	x2ah	PL-12 x	180	1750	7	4	29.67

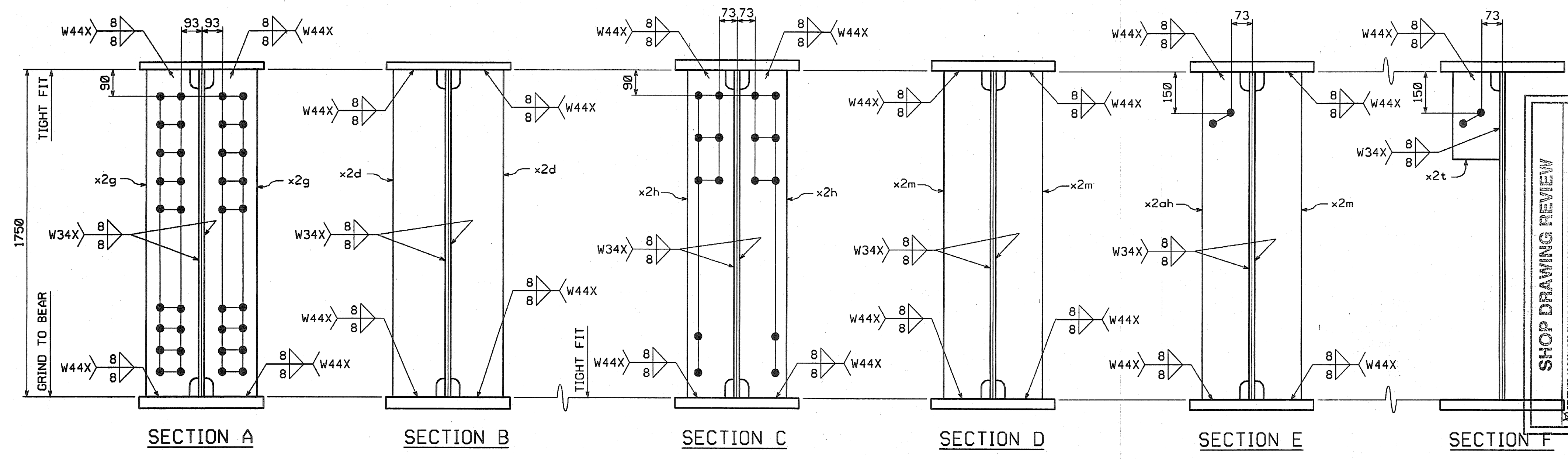
TOTAL WEIGHT THIS SHEET: 21149.68 kgs

Handwritten notes and checkmarks on the right side of the Bill of Material table, including quantities and weights.



SHOP NOTE

HOLES: 1/8" Ø
 BOLTS: NONE
 PAINT: NONE
 FOR GENERAL SHOP NOTES, SEE DWG. GNI.
 FOR WEB CAMBER DIAGRAM, SEE DWG. WCI.



SHOP DRAWING REVIEW

REVISIONS:

NO.	REVISION	DATE
1	INCREASE LENGTHS TO SATISFY REQUIREMENTS FOR LENGTH	9/17/04
2	MEAN TEMPERATURE OF 45°F.	

HIGH STEEL STRUCTURES, INC.

1770 Hempstead Road
 Lancaster, PA 17605-0008
 Phone 717/299-5211

GIRDER G3C

VT 78 OVER MISSISQUOI BAY, BRIDGE NO. 2
 VT 78 STA.10+970.425 TO STA.12+059.775
 TOWNS OF ALBURG AND SWANTON
 COUNTIES OF GRAND ISLE AND FRANKLIN
 STATE OF VERMONT, AGENCY OF TRANSPORTATION

STATE CONTRACT REF. NO. BRF-036-1(1)

CONTRACTOR CIAMBRO CORPORATION

IN CHARGE: GLIDDEN (IH) MADE BY: ERS CHK'D. BY: CG DATE: 8-18-04

CONTRACT NUMBER: VT-04057-1 DRAWING NUMBER: 11 OF 112

PLOTTED: 9/20/2004 10:44:42 PM