

METRIC

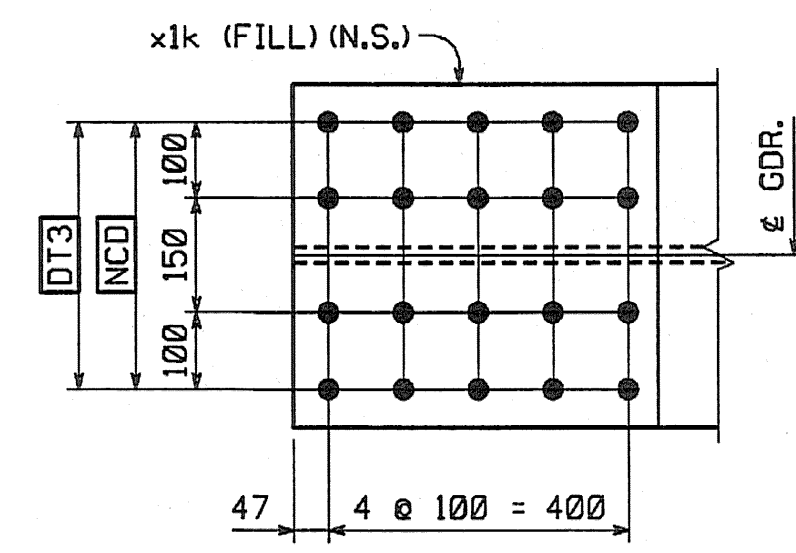
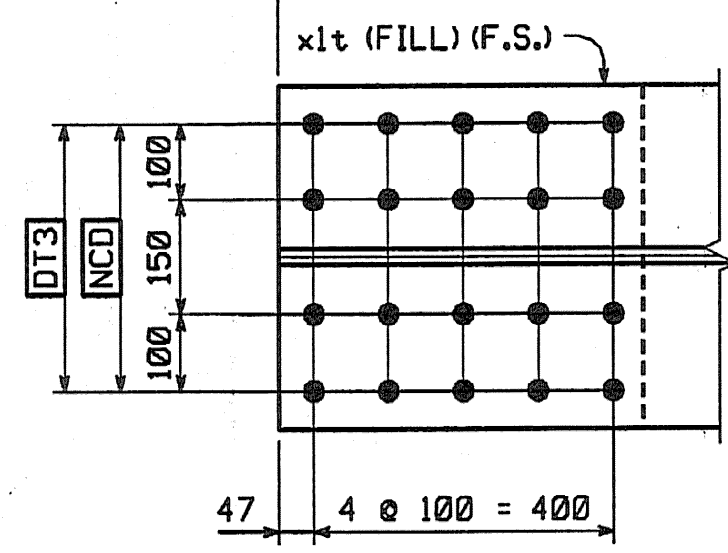
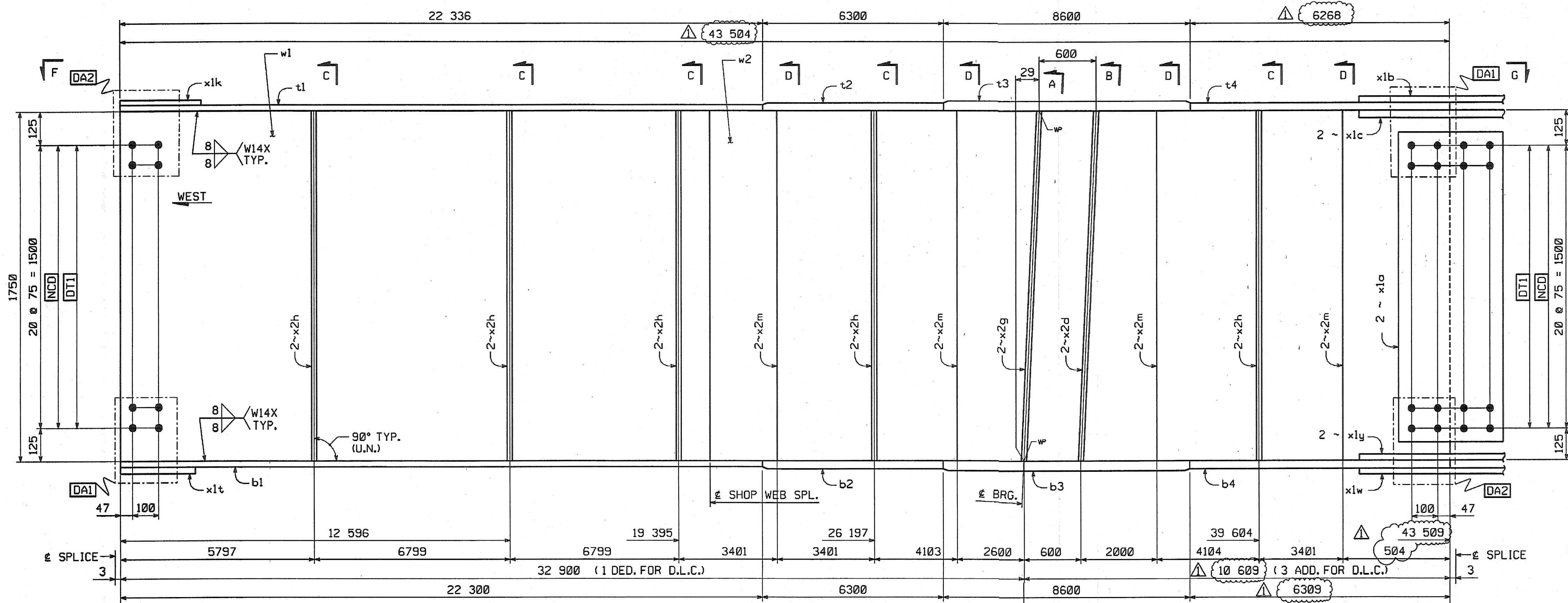
METRIC 1. ALL DIMENSIONS ARE IN MILLIMETERS UNLESS OTHERWISE NOTED. 2. ALL WEIGHTS ARE IN KILOGRAMS.

FED. ROAD DIV. NO.	STATE	FED. AID PROJ. NO.
	VT	

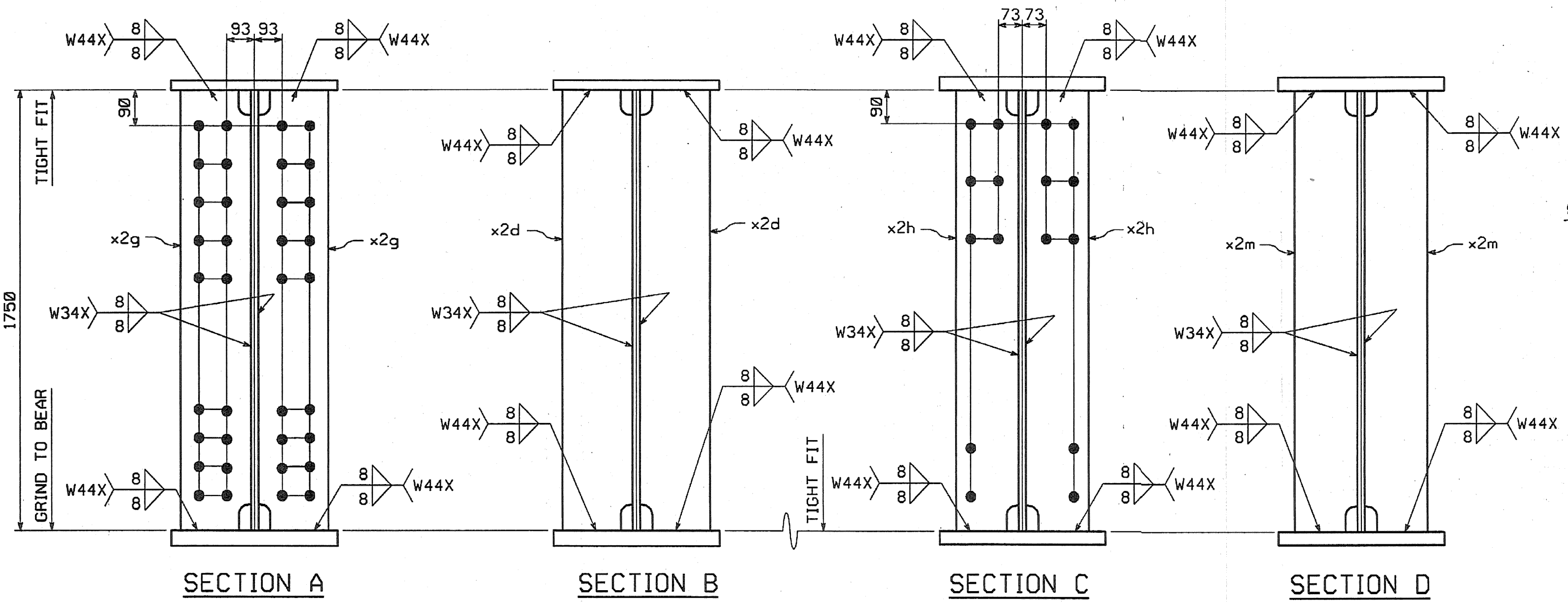
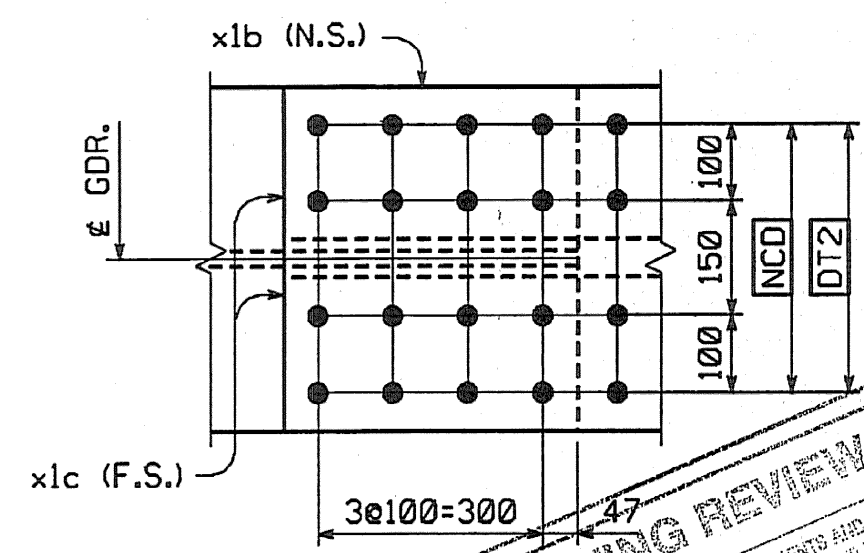
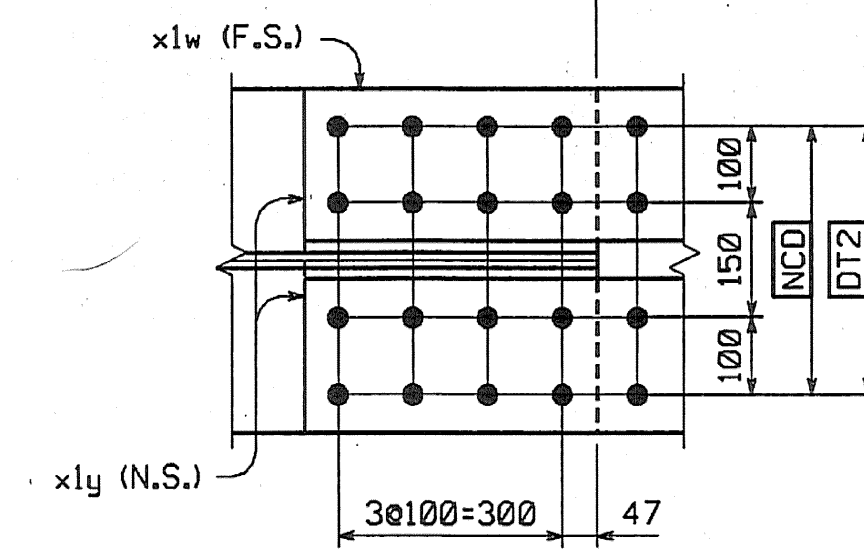
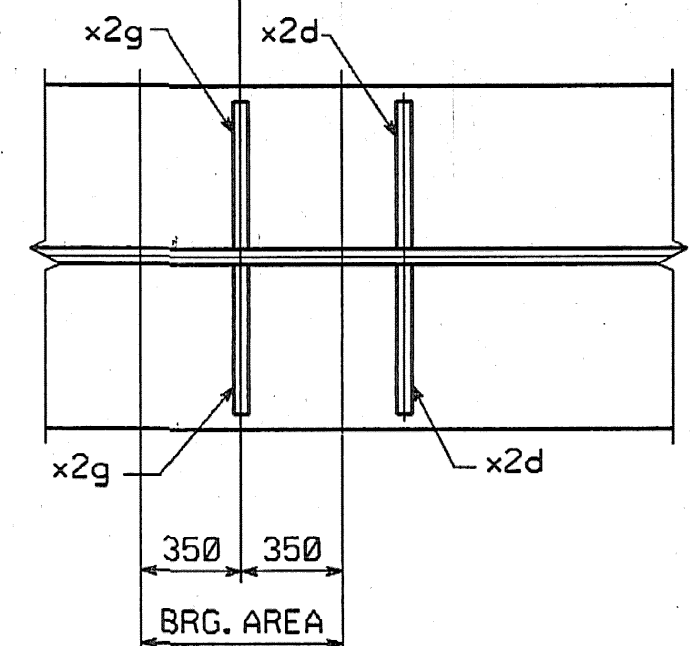
BILL OF MATERIAL

NO.	MARK	DESCRIPTION	LENGTH	REMARKS	GRP.	ITEM	SHIP. WT. KG. EA.
ONE	G2C	GIRDER					21 120
1	w1	PL 16 x 1750	19 908	(T)	3	9	4375.28
1	w2	PL 16 x 1750	23 608	(T)	3	2	5488.44
1	t1	PL 22 x 450	22 336	(T)	4	22	1735.64
1	t2	PL 32 x 450	6 300	(T)	4	15	712.07
1	t3	PL 65 x 450	8 600	(T)	4	3	1974.44
1	t4	PL 32 x 450	6 268	(T)	4	16	708.45
1	b1	PL 22 x 450	22 300	(T)	4	24	1732.85
1	b2	PL 32 x 450	6 300	(T)	4	15	712.07
1	b3	PL 65 x 450	8 600	(T)	4	3	1974.44
1	b4	PL 32 x 450	6 309	(T)	4	14	713.09
2	x1a	PL 12 x 1600	400	(T)	6	1	60.28
1	x1b	PL 14 x 450	790	(T)	6	6	39.06
2	x1c	PL 16 x 200	790	(T)	6	5	49.84
1	x1k	PL 18 x 450	492	FILL	6	4	31.28
1	x1l	PL 18 x 450	492	FILL	6	4	31.28
1	x1w	PL 14 x 450	790	(T)	6	6	39.06
2	x1y	PL 16 x 200	790	(T)	6	5	49.84
2	x2d	PL 38 x 200	1 750		7	1	104.39
2	x2g	PL 38 x 200	1 750		7	1	104.39
10	x2h	PL 12 x 180	1 750		7	4	29.67
8	x2m	PL 12 x 180	1 750		7	4	29.67

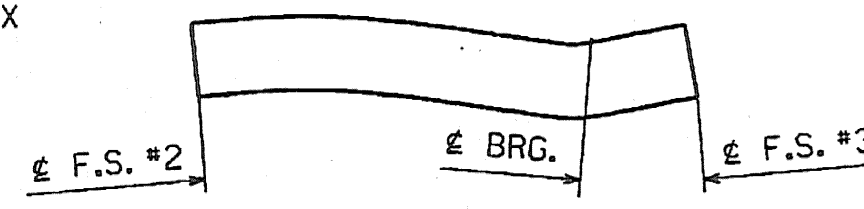
TOTAL WEIGHT THIS SHEET: 21419.02 kgs



GIRDER ~ G2C



ORIENTATION DIAGRAM



SHOP NOTE

HOLES: 1 5/16"
 BOLTS: NONE
 PAINT: NONE
 FOR GENERAL SHOP NOTES, SEE DWG. GNI.
 FOR WEB CAMBER DIAGRAM, SEE DWG. WCI.

VIEW DRAWING REVIEW

REVIEWED AS REQUIRED BY THE CONTRACTOR FOR APPROVAL AND APPROVED FOR PERFORMANCE TO THE DESIGN CONCEPT OF THE WORK AND SHALL COVER ANY CHANGES AND REVISIONS REQUIRED IN THE CONSTRUCTION CONTRACT DOCUMENTS.

REJECTED REVISE AND RESUBMIT IN ACCORDANCE WITH THE CONTRACT DOCUMENTS.

DATE: 11/15/04

NO.	REVISION	BY	DATE
1	INCREASE LENGTHS TO SATISFY REQUIREMENTS FOR LENGTH & MEAN TEMPERATURE OF 45°F.	DP	9/17/04

CONTRACTOR: CIAMBRO CORPORATION
 IN CHARGE: GLIDDEN (IH) MADE BY: ERS CHK'D BY: CS DATE: 8-18-04
 CONTRACT NUMBER: VT-04057-1 DRAWING NUMBER: 10 OF 112

BY: dpaunter PLOTTED: 9/20/2004 10:43:39 PM