

METRIC

1. ALL DIMENSIONS ARE IN MILLIMETERS UNLESS OTHERWISE NOTED.
2. ALL WEIGHTS ARE IN KILOGRAMS.

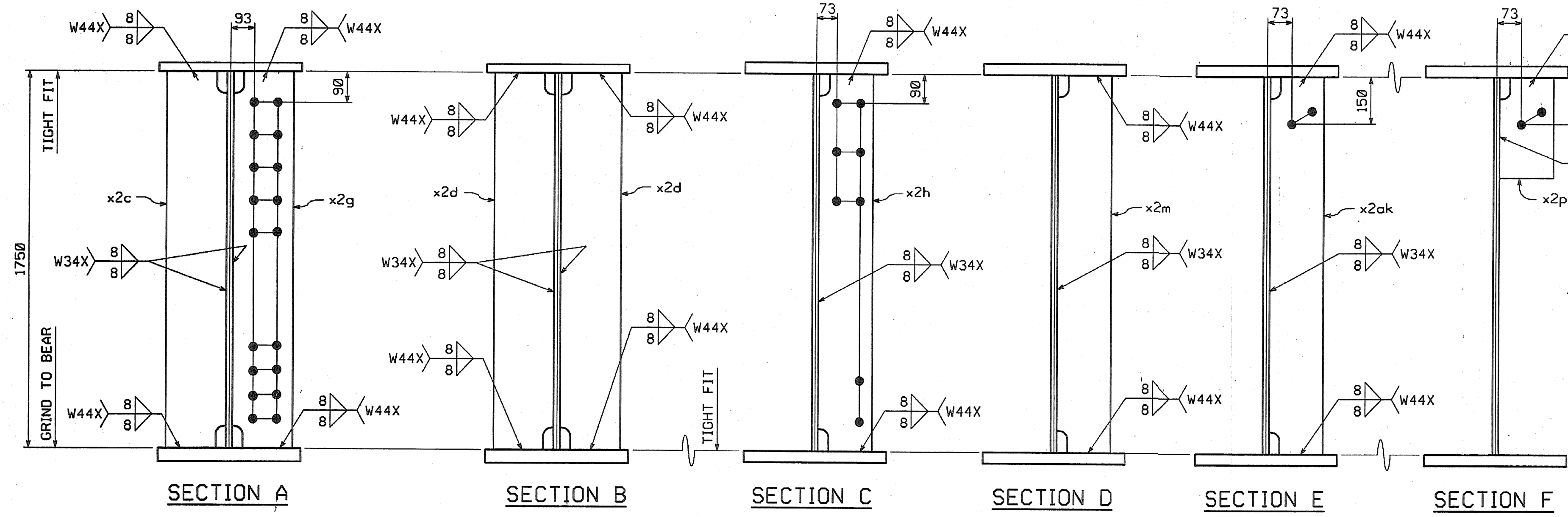
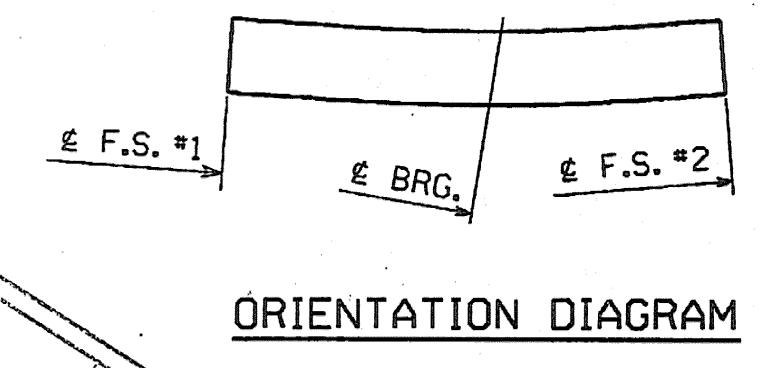
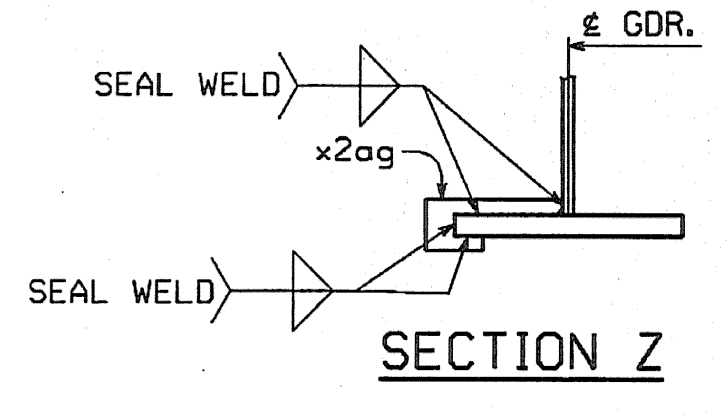
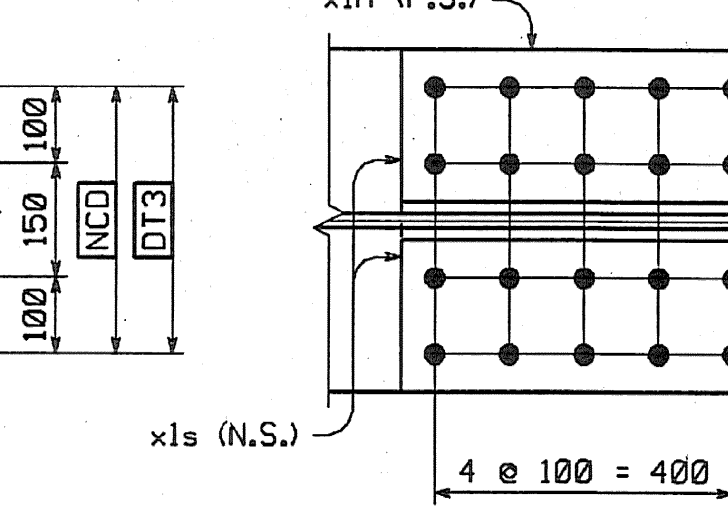
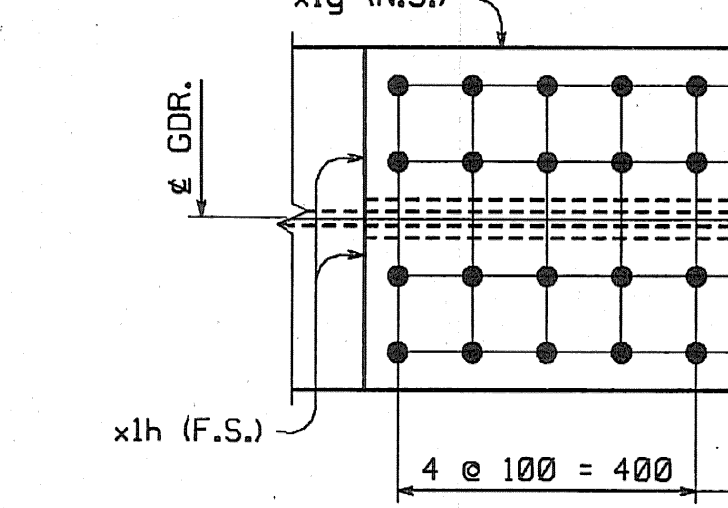
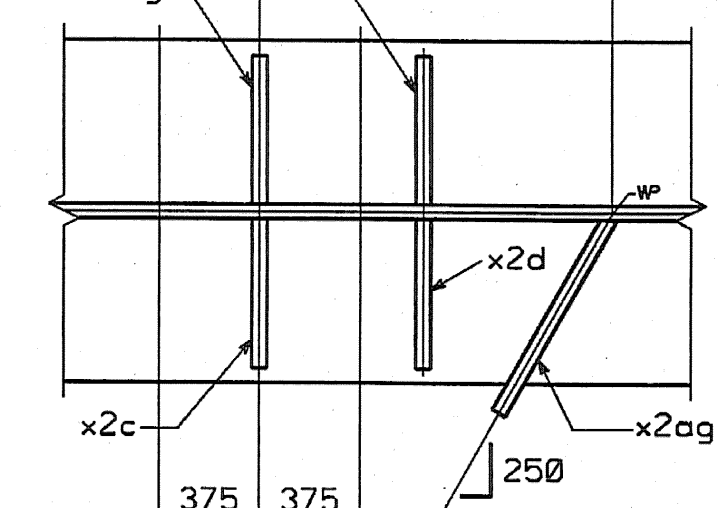
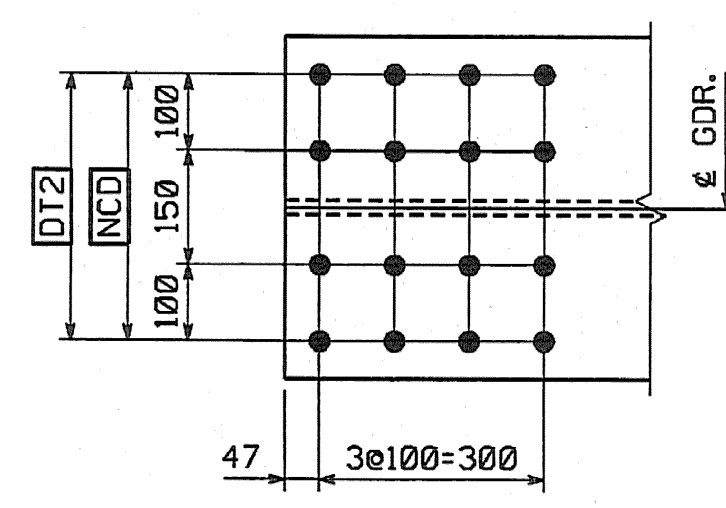
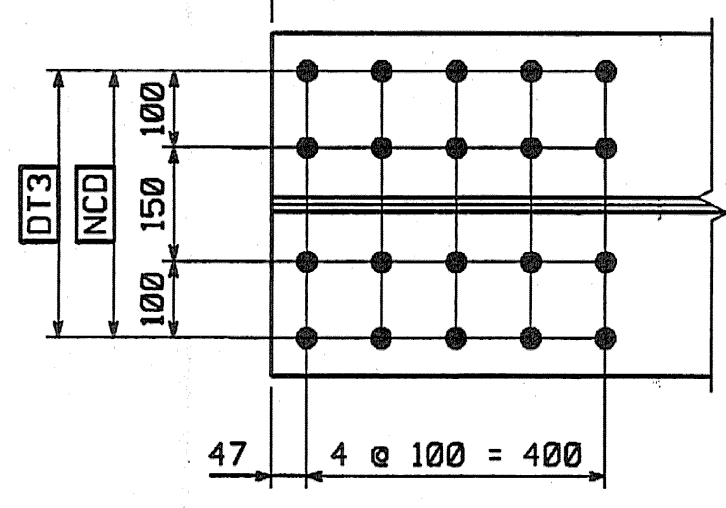
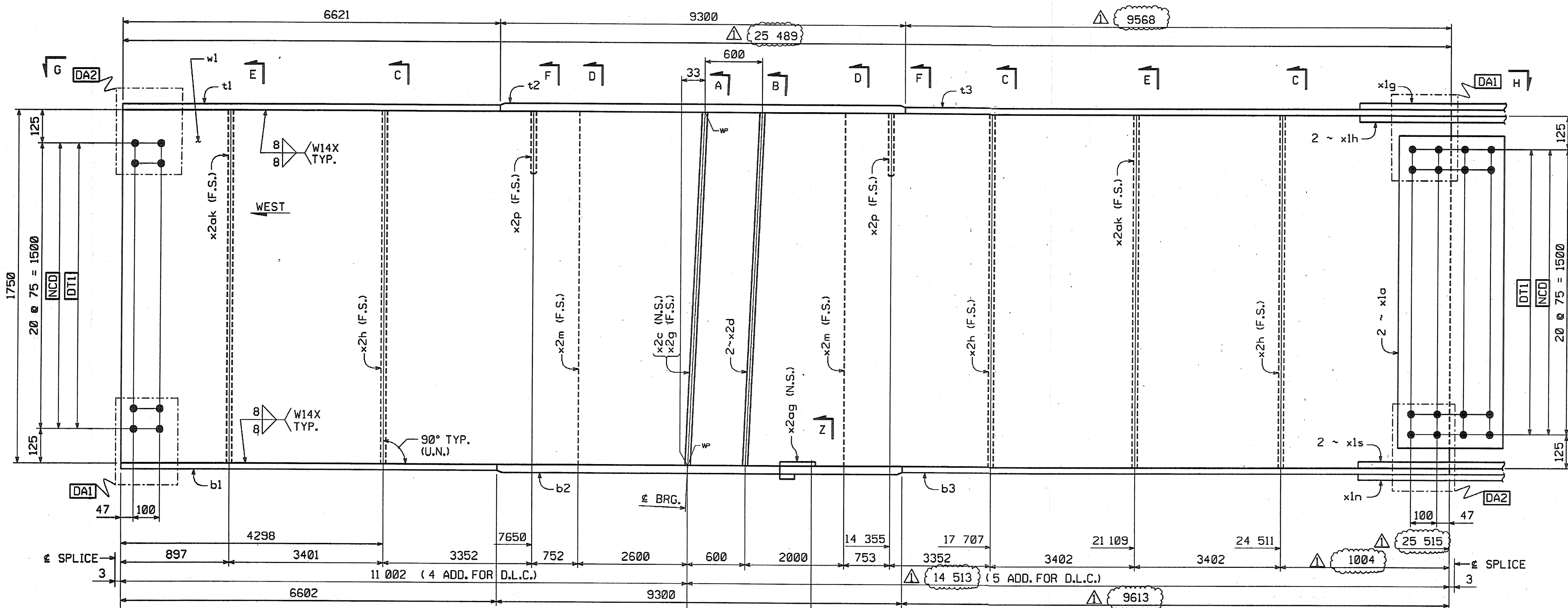
FED. ROAD DIV. NO.	STATE	FED. AID PROJ. NO.
	VT	

BILL OF MATERIAL

NO.	MARK	DESCRIPTION	LENGTH	REMARKS	GRP.	ITEM	SHIP. WT. KG. EA.	
ONE	G4B	GIRDER					16 400	
1	w1	PL 16 x 1750	25 515	(T) 25502	3	3	5607.55	
1	t1	PL 40 x 450	6 621	(T)	4	10	935.44	
1	t2	PL 80 x 450	9 300	(T)	4	1	2627.88	
1	t3	PL 40 x 450	9 569	(T) 9568	4	9	1351.94	
1	b1	PL 40 x 450	6 602	(T)	4	11	932.76	
1	b2	PL 80 x 450	9 300	(T)	4	1	2627.88	
1	b3	PL 40 x 450	9 814	(T) 9613	4	7	1358.30	
2	x1a	PL 12 x 1600	400	(T)	6	1	60.28	
1	x1g	PL 14 x 450	990	(T)	6	6	48.95	
2	x1h	PL 16 x 200	990	(T)	6	5	24.87	
1	x1i	PL 14 x 450	990	(T)	6	6	48.95	
2	x1s	PL 16 x 200	990	(T)	6	5	24.87	
1	x2c	PL 38 x 200	1 750		7	1	104.99	
2	x2d	PL 38 x 200	1 750		7	1	104.99	
1	x2g	PL 38 x 200	1 750		7	1	104.99	
3	x2h	PL 12 x 180	1 750		7	4	28.67	
2	x2m	PL 12 x 180	1 750		7	4	28.67	
2	x2p	PL 14 x 180	310		7	3	6.15	
1	x2ag	PL 6 x 130	301	*Sketch 5/8/12	7	5	1.84	
2	x2ak	PL 12 x 180	1 750		7	4	28.67	
TOTAL WEIGHT THIS SHEET:							16 399.06 kgs	16396.64 kg

5607.55
935.44
2627.88
1351.94
932.76
2627.88
1358.30
60.28
48.95
24.87
48.95
48.95
104.99
104.99
104.99
28.67
28.67
6.15
1.84
28.67
59.35
12.26
0.66
59.35

JMR
7-19-06
A.C.
7-19-06



SHOP DRAWING REVIEW

THIS DRAWING IS THE PROPERTY OF HIGH STEEL STRUCTURES, INC. AND IS NOT TO BE REPRODUCED OR TRANSMITTED IN ANY FORM OR BY ANY MEANS, ELECTRONIC OR MECHANICAL, INCLUDING PHOTOCOPYING, RECORDING, OR BY ANY INFORMATION STORAGE AND RETRIEVAL SYSTEM, WITHOUT THE WRITTEN PERMISSION OF HIGH STEEL STRUCTURES, INC.

DATE: 8/18/04

SHOP NOTE

HOLES: 15/16" ø
BOLTS: NONE
PAINT: NONE
FOR GENERAL SHOP NOTES, SEE DWG. GNI.
FOR WEB CAMBER DIAGRAM, SEE DWG. WC1.

NO.	REVISION	BY	DATE
1	INCREASE LENGTHS TO SATISFY REQUIREMENTS FOR LENGTH @ MEAN TEMPERATURE OF 45°F.	DP	9/17/04

HIGH STEEL STRUCTURES, INC.
1770 Hempstead Road
Lancaster, PA 17605-0008
Phone 717/299-5211
A Division of High Industries, Inc.

GIRDER G4B

VT 78 OVER MISSISSQUOI BAY, BRIDGE NO. 2
VT 78 STA. 10+970.425 TO STA. 12+059.775
TOWNS OF ALBURG AND SWANTON
COUNTIES OF GRAND ISLE AND FRANKLIN
STATE OF VERMONT, AGENCY OF TRANSPORTATION

STATE CONTRACT OR REF. NO. BRF-036-1(1)
CONTRACTOR: CIAMBRO CORPORATION
IN CHARGE: GLIDDEN (IH) MADE BY: SES CHK'D: CS DATE: 8-18-04
CONTRACT NUMBER: VT-04057-1 DRAWING NUMBER: 8 OF 112