

METRIC

1. ALL DIMENSIONS ARE IN MILLIMETERS UNLESS OTHERWISE NOTED.  
2. ALL WEIGHTS ARE IN KILOGRAMS.

FED. ROAD DIV. NO.	STATE	FED. AID PROJ. NO.
	VT	

BILL OF MATERIAL

NO.	MARK	DESCRIPTION	LENGTH	REMARKS	GRP.	ITEM	SHIP. WT. KG. EA.
ONE	G3B	GIRDER					16 610
1	w1	PL 16 x 1750	25 516 (T)	25502	3	3	5607.55
1	t1	PL 40 x 450	6 621 (T)		4	10	935.44
1	t2	PL 80 x 450	9 300 (T)		4	1	2627.88
1	t3	PL 40 x 450	9 568 (T)	9568	4	9	1351.94
1	b1	PL 40 x 450	6 602 (T)		4	11	932.76
1	b2	PL 80 x 450	9 300 (T)		4	1	2627.88
1	b3	PL 40 x 450	9 614 (T)	9614	4	7	1358.30
2	x1a	PL 12 x 1600	400 (T)		6	1	80.28
1	x1g	PL 14 x 450	990 (T)		6	6	48.95
2	x1h	PL 16 x 200	990 (T)		6	5	24.87
1	x1n	PL 14 x 450	990 (T)		6	6	48.95
2	x1s	PL 16 x 200	990 (T)		6	5	24.87
2	x2d	PL 38 x 200	1 750		7	1	104.39
2	x2g	PL 38 x 200	1 750		7	1	104.39
6	x2h	PL 12 x 180	1 750		7	4	29.67
6	x2m	PL 12 x 180	1 750		7	4	29.67
2	x2l	PL 14 x 180	310		7	3	6.13
2	x2ah	PL 12 x 180	1 750		7	4	29.67

TOTAL WEIGHT THIS SHEET: 16 604.9 kgs

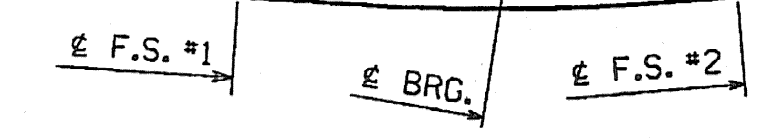
**SHOP DRAWING REVIEW**

REVIEWED AS REQUIRED BY THE CONSTRUCTION CONTRACT DOCUMENTS AND APPROVED, BUT ONLY FOR CONFORMANCE TO THE DESIGN CONCEPT OF THE WORK, AND SUBJECT TO FURTHER LIMITATIONS AND REQUIREMENTS CONTAINED IN THE CONSTRUCTION CONTRACT DOCUMENTS.

REVISED AND RESUBMIT  PUBLISH AS CORRECTED

CORRECTIVE OR COMMENTS MADE ON THE SHOP DRAWINGS DURING THIS REVIEW DO NOT RELIEVE CONTRACTOR FROM COMPLIANCE WITH REQUIREMENTS OF THE DRAWINGS AND SPECIFICATIONS. THIS CHECK IS ONLY FOR REVIEW OF GENERAL CONFORMANCE WITH THE DESIGN CONCEPT OF THE PROJECT AND GENERAL COMPLIANCE WITH THE INFORMATION GIVEN IN THE CONTRACT DOCUMENTS. THE CONTRACTOR IS RESPONSIBLE FOR CORRECTING AND CORRELATING ALL QUANTITIES AND DIMENSIONS; SELECTIVE FABRICATION PROCESSES; AND TECHNIQUES OF CONSTRUCTION; COORDINATING HIS WORK WITH THAT OF ALL OTHER TRADES; AND PERFORMING HIS WORK IN A SAFE AND SATISFACTORY MANNER.

Reviewed By: *SMH*  
Date: 11/1/04

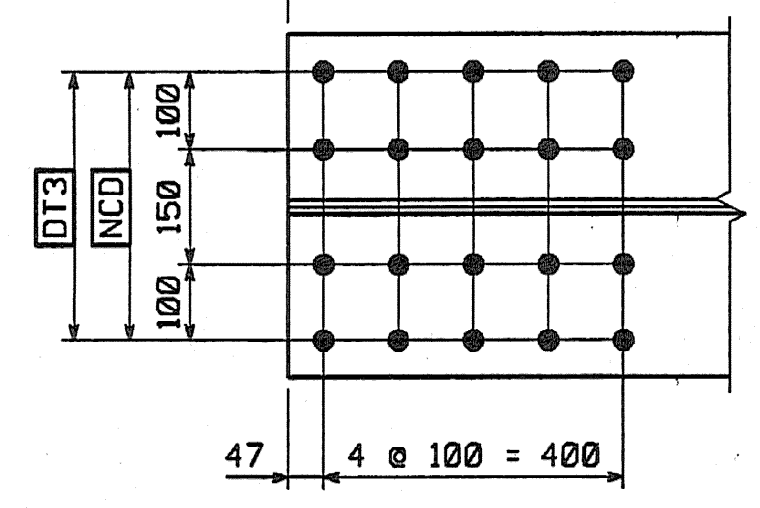
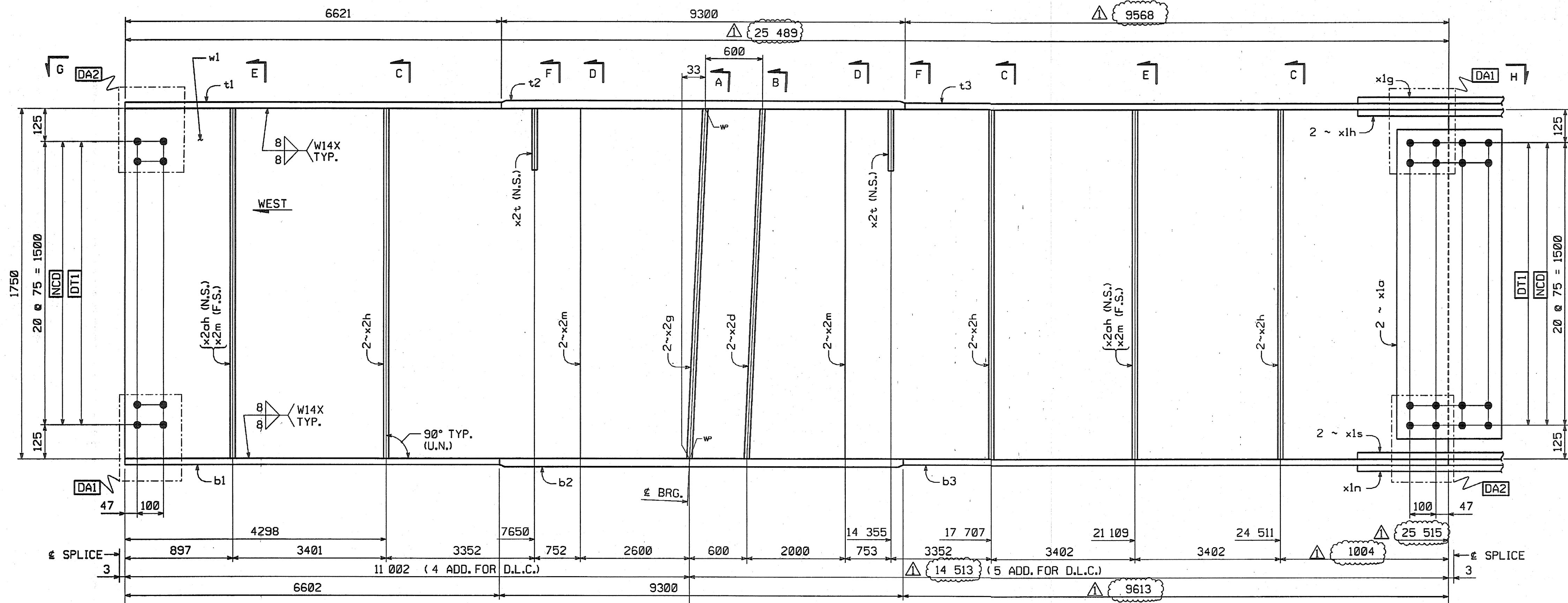


ORIENTATION DIAGRAM

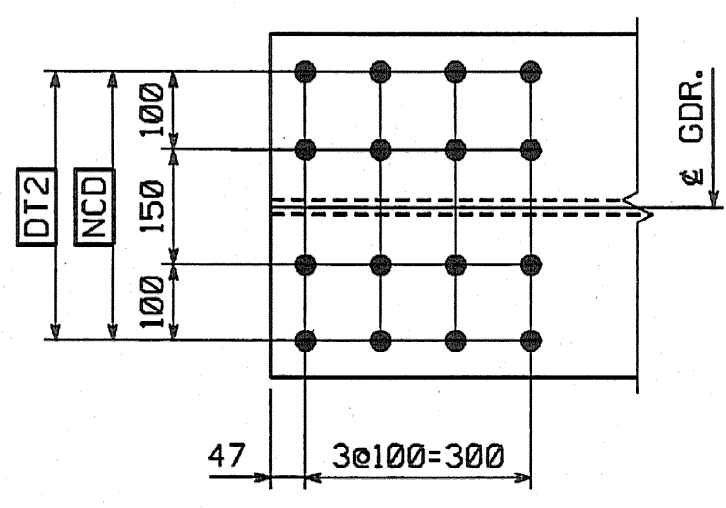
SHOP NOTE

HOLES: 1 5/16" ø  
BOLTS: NONE  
PAINT: NONE  
FOR GENERAL SHOP NOTES, SEE DWG. GNL.  
FOR WEB CAMBER DIAGRAM, SEE DWG. WC1.

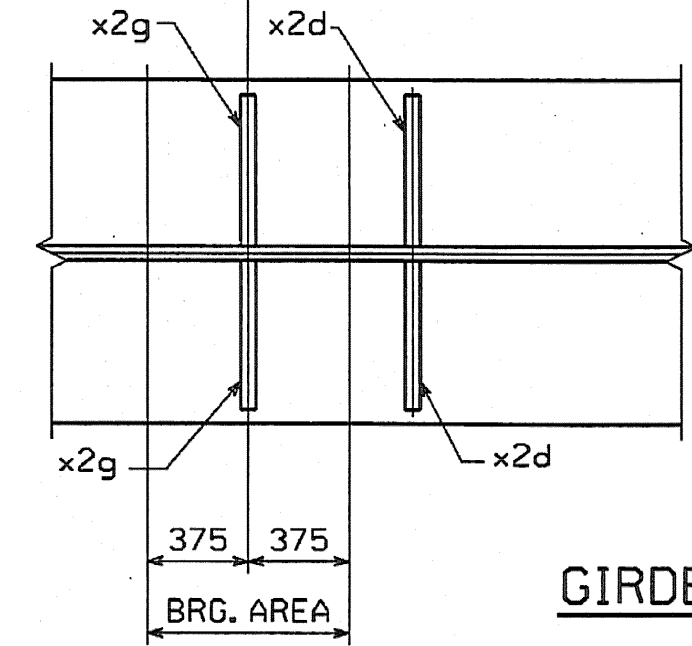
INCREASE LENGTHS TO SATISFY REQUIREMENTS FOR LENGTH & MEAN TEMPERATURE OF 45°F.	DP	9/17/04
NO.	REVISION	BY DATE
<b>GIRDER G3B</b>		
VT 78 OVER MISSISSQUOI BAY, BRIDGE NO. 2 VT 78 STA.10+970.425 TO STA.12+059.775 TOWNS OF ALBURG AND SWANTON COUNTIES OF GRAND ISLE AND FRANKLIN STATE OF VERMONT, AGENCY OF TRANSPORTATION		
STATE CONTRACT OR REF. NO.	BRF-036-1(1)	
CONTRACTOR	CIAMBRO CORPORATION	
IN CHARGE:	GLIDDEN (IH)	MADE BY: <i>ERS</i> CHK'D. BY: <i>CS</i> DATE: 8-18-04
CONTRACT NUMBER:	VT-04057-1	DRAWING NUMBER: 7 OF 112



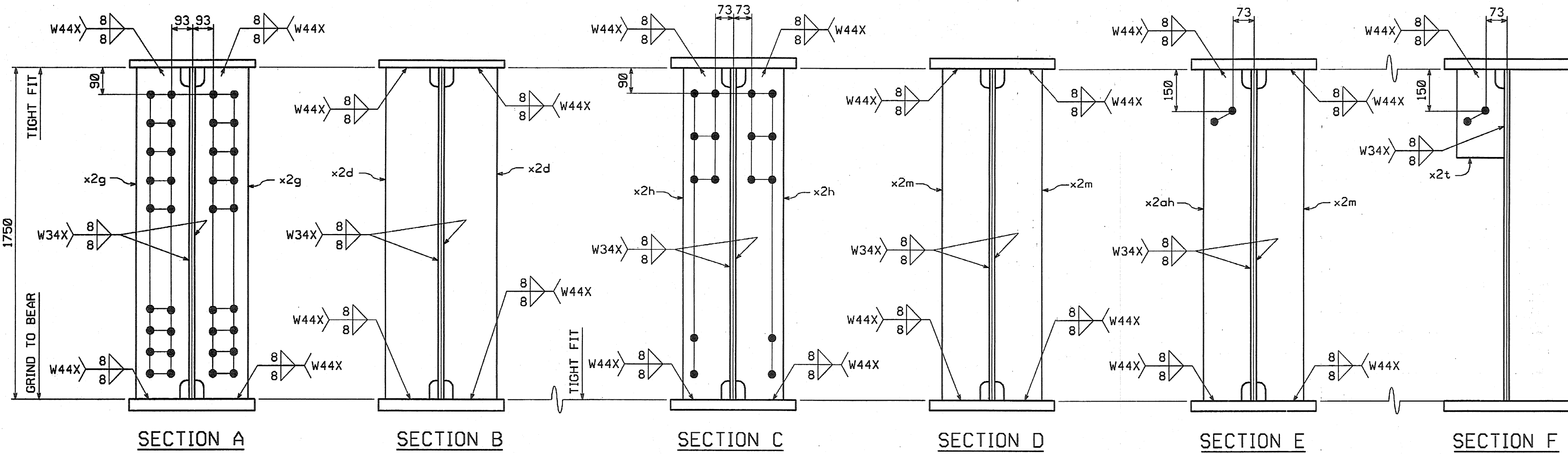
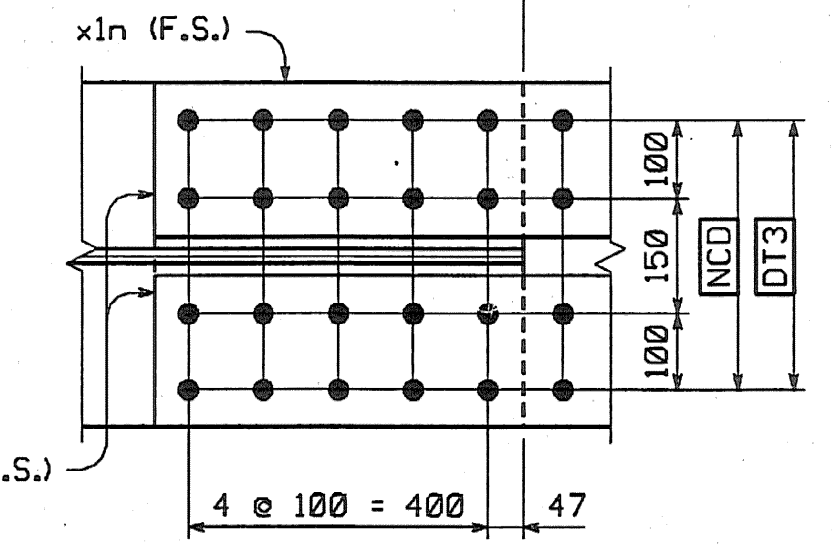
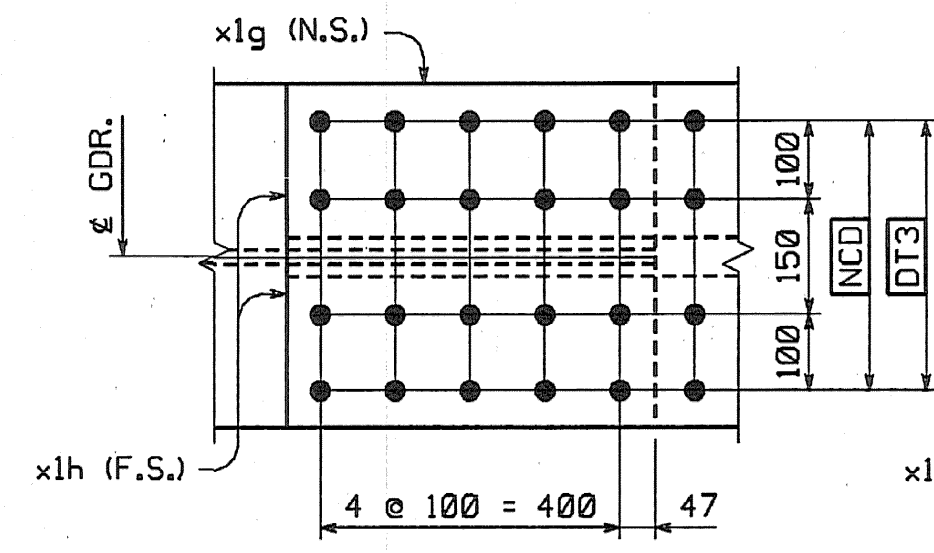
VIEW G



VIEW H



GIRDER ~ G3B



SECTION A

SECTION B

SECTION C

SECTION D

SECTION E

SECTION F

CODE:30

BY: dpcumter  
PLOTTED: 9/20/2004 10:43:30 PM