

METRIC 1. ALL DIMENSIONS ARE IN MILLIMETERS UNLESS OTHERWISE NOTED.
2. ALL WEIGHTS ARE IN KILOGRAMS.

FED. ROAD DIV. NO.	STATE	FED. AID PROJ. NO.
	VT	

BILL OF MATERIAL

NO.	MARK	DESCRIPTION	LENGTH	REMARKS	GRP.	ITEM	SHIP. WT. KG. EA.
ONE	G2B	GIRDER					16 600
1	w1	PL 16 x 1750	26 545	(T) 2 9502	3	3	5607.55
1	t1	PL 40 x 450	6 821	(T)	4	10	935.44
1	t2	PL 80 x 450	9 300	(T)	4	1	2627.88
1	t3	PL 40 x 450	9 589	(T) 9 508	4	9	1351.94
1	b1	PL 40 x 450	6 602	(T)	4	11	932.76
1	b2	PL 80 x 450	9 300	(T)	4	1	2627.88
1	b3	PL 40 x 450	9 614	(T) 9 613	4	7	1358.30
2	x1a	PL 12 x 1600	400	(T)	6	1	60.28
1	x1g	PL 14 x 450	990	(T)	6	6	48.95
2	x1h	PL 16 x 200	990	(T)	6	5	24.87
1	x1n	PL 14 x 450	990	(T)	6	6	48.95
2	x1s	PL 16 x 200	990	(T)	6	5	24.87
2	x2d	PL 38 x 200	1 750		7	1	104.39
2	x2g	PL 38 x 200	1 750		7	1	104.39
6	x2h	PL 12 x 180	1 750		7	4	29.67
8	x2m	PL 12 x 180	1 750		7	4	29.67

TOTAL WEIGHT THIS SHEET: 16 592.64 kgs

5605.34
935.55
2628.18
1351.96
932.86
2628.18
1358.32
120.58
48.96
49.74
48.96
49.74
208.81
208.81
178.04
237.38
JAR
7-19-06
A.E.
7-19-04

SHOP DRAWING REVIEW

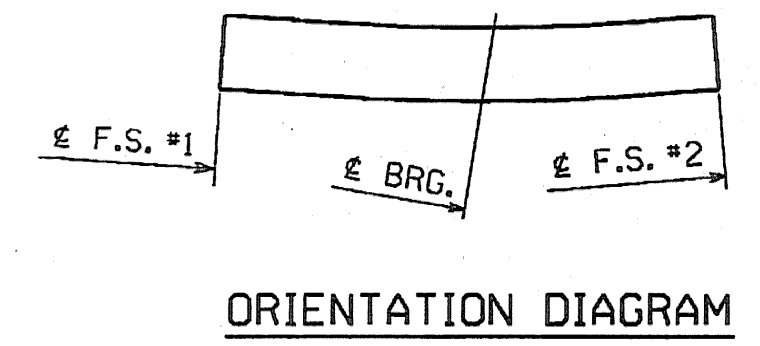
REVIEWED AS REQUIRED BY THE CONSTRUCTION CONTRACT DOCUMENTS AND APPROVED, BUT ONLY FOR CONFORMANCE TO THE DESIGN CONCEPT OF THE WORK, AND SUBJECT TO FURTHER LIMITATIONS AND REQUIREMENTS CONTAINED IN THE CONSTRUCTION CONTRACT DOCUMENTS.

REJECTED REVISE AND RESUBMIT FURNISH AS CORRECTED

CORRECTIONS OR COMMENTS MADE ON THE SHOP DRAWINGS DURING THIS REVIEW DO NOT RELIEVE CONTRACTOR FROM COMPLIANCE WITH REQUIREMENTS OF THE DRAWINGS AND SPECIFICATIONS. THIS CHECK IS ONLY FOR REVIEW OF GENERAL CONFORMANCE WITH THE DESIGN CONCEPT OF THE PROJECT AND GENERAL COMPLIANCE WITH THE INFORMATION GIVEN IN THE CONTRACT DOCUMENTS. THE CONTRACTOR IS RESPONSIBLE FOR CORRECTING AND CORRELATING ALL QUANTITIES AND DIMENSIONS, SELECTING FABRICATION PROCESSES AND TECHNIQUES OF CONSTRUCTION, COORDINATING HIS WORK WITH THAT OF ALL OTHER TRADES, AND PERFORMING HIS WORK IN A SAFE AND SATISFACTORY MANNER.

VHSB Vanasse Hangen Brustlin, Inc.
Engineers, Planners, and Scientists
Six Bedford Farms, Kilton Rd.
Bedford, NH 03112 603 644 0888

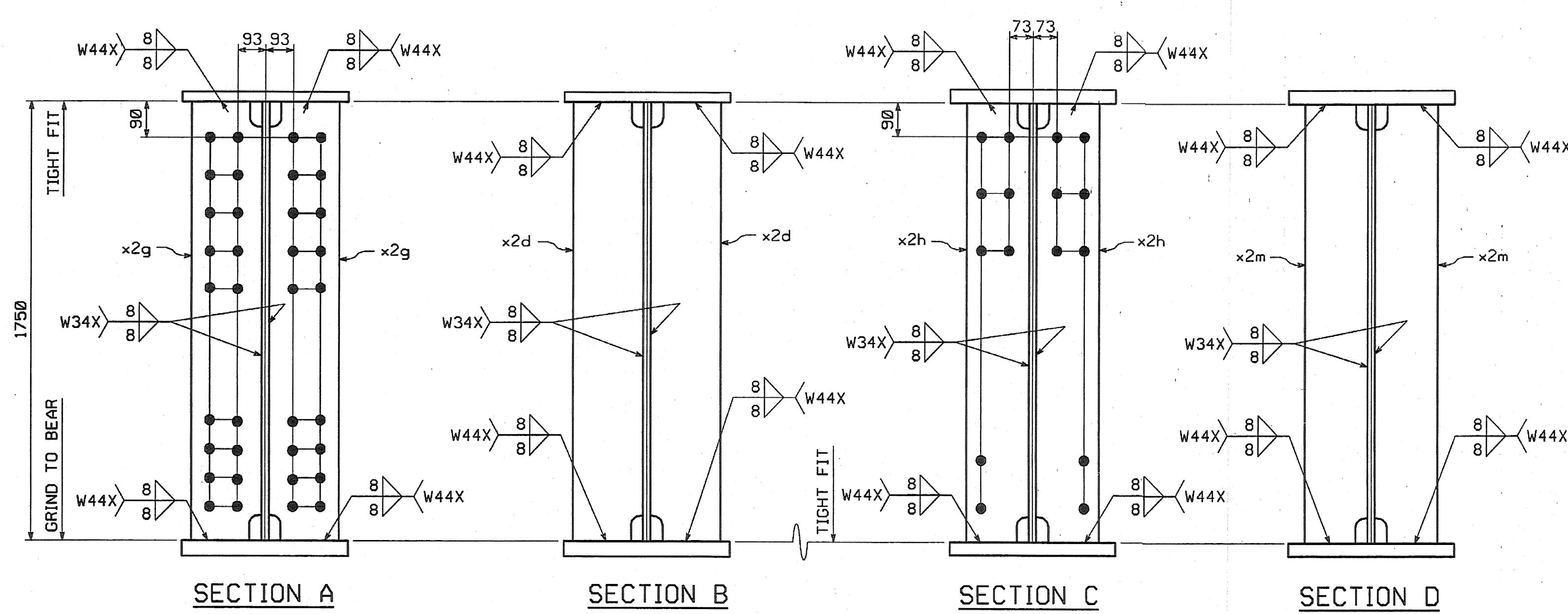
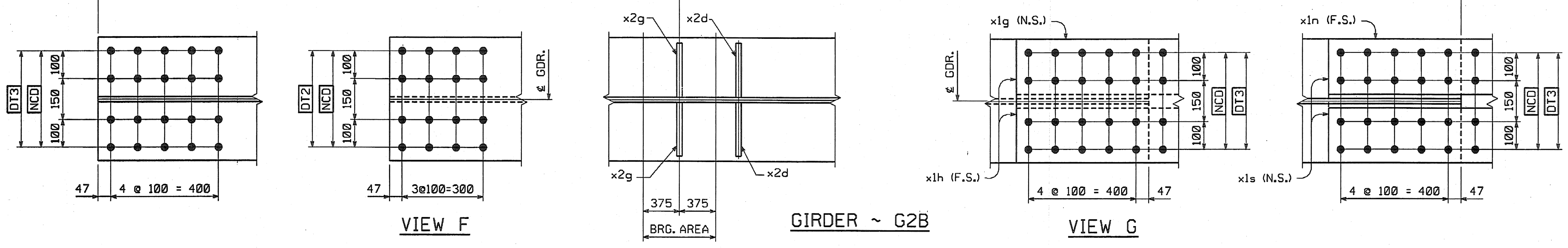
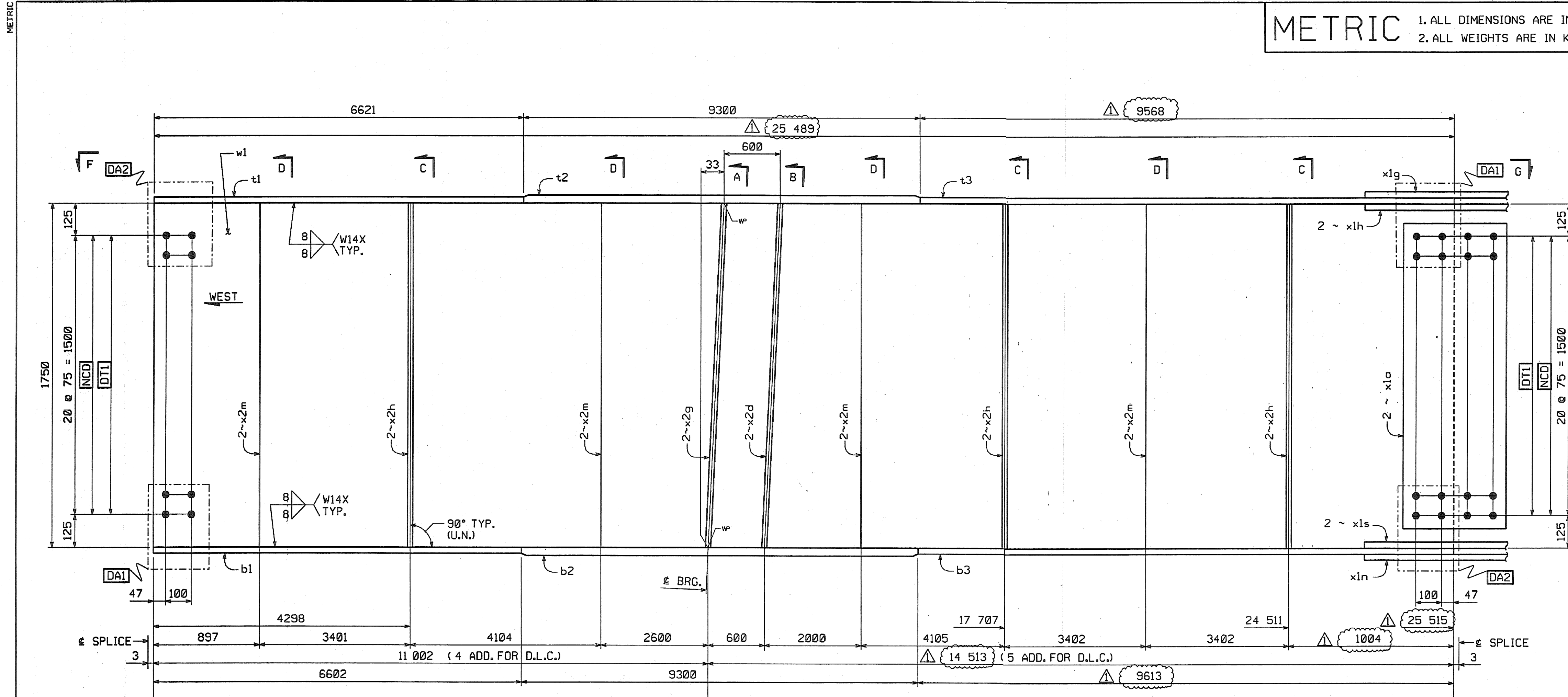
Job Number: 1104001 500 11
Reviewed By: SMH
Date: 4/15/04



△			
△			
!	INCREASE LENGTHS TO SATISFY REQUIREMENTS FOR LENGTH OF MEAN TEMPERATURE OF 45°F.	DP	9/17/04
NO.	REVISION	BY	DATE
<p>HIGH STEEL STRUCTURES, INC.</p> <p>1770 Hempstead Road Lancaster, PA 17605-0008 Phone 717/299-5211</p> <p>A Division of High Industries, Inc.</p>			
GIRDER		G2B	
VT 78 OVER MISSISSQUOI BAY, BRIDGE NO. 2			
VT 78 STA.10+970.425 TO STA.12+059.775			
TOWNS OF ALBURG AND SWANTON			
COUNTIES OF GRAND ISLE AND FRANKLIN			
STATE OF VERMONT, AGENCY OF TRANSPORTATION			
STATE CONTRACT OR REF. NO.	BRF-036-1(1)		
CONTRACTOR	CIANBRO CORPORATION		
IN CHARGE:	GLIDDEN (IH)	MADE BY:	ESB
CHK'D. BY:	CS	DATE:	8-18-04
CONTRACT NUMBER:	VT-04057-1	DRAWING NUMBER:	6 OF 112

SHOP NOTE

HOLES: 1 5/16" ø
BOLTS: NONE
PAINT: NONE
FOR GENERAL SHOP NOTES, SEE DWG. GNI.
FOR WEB CAMBER DIAGRAM, SEE DWG. WC1.



BY: dpointer
PLOTTED: 9/20/2004 10:42:58 PM

CODE:30