

METRIC 1. ALL DIMENSIONS ARE IN MILLIMETERS UNLESS OTHERWISE NOTED.
2. ALL WEIGHTS ARE IN KILOGRAMS.

FED. ROAD DIV. NO.	STATE	FED. AID PROJ. NO.
	VT	

BILL OF MATERIAL

NO.	MARK	DESCRIPTION	LENGTH	REMARKS	GRP.	ITEM	SHIP. WT. KG. EA.
ONE	G1B	ORDER					16 390
1	w1	PL 16 x 1750	25 515	(T) 25502	3	3	5807.65
1	t1	PL 40 x 450	6 621	(T)	4	10	835.44
1	t2	PL 80 x 450	9 300	(T)	4	1	2827.88
1	t3	PL 40 x 450	9 569	(T) 9568	4	9	1351.94
1	b1	PL 40 x 450	6 602	(T)	4	11	932.76
1	b2	PL 80 x 450	9 300	(T)	4	1	2827.88
1	b3	PL 40 x 450	9 614	(T) 9615	4	7	1358.30
2	x1a	PL 12 x 1800	400	(T)	6	1	60.28
1	x1g	PL 14 x 450	990	(T)	6	6	48.95
2	x1h	PL 16 x 200	990	(T)	6	5	24.87
1	x1n	PL 14 x 450	990	(T)	6	6	48.95
2	x1s	PL 16 x 200	990	(T)	6	5	24.87
1	x2c	PL 38 x 200	1 750		7	1	104.39
2	x2d	PL 38 x 200	1 750		7	1	104.39
1	x2g	PL 38 x 200	1 750		7	1	104.39
3	x2h	PL 12 x 180	1 750		7	4	29.67
4	x2m	PL 12 x 180	1 750		7	4	29.67
1	x2af	PL 6 x 180	301	Vol = 84150mm ³	7	5	1.84

TOTAL WEIGHT THIS SHEET: 16 386.79 kgs (76 384.30 lbs)

*Note: I 25
6mm Drip Plate
301
80
150 + 50
Vol = 2(301x25) + (80x50) + (25x100) x 6 = 84150mm³

SHOP DRAWING REVIEW

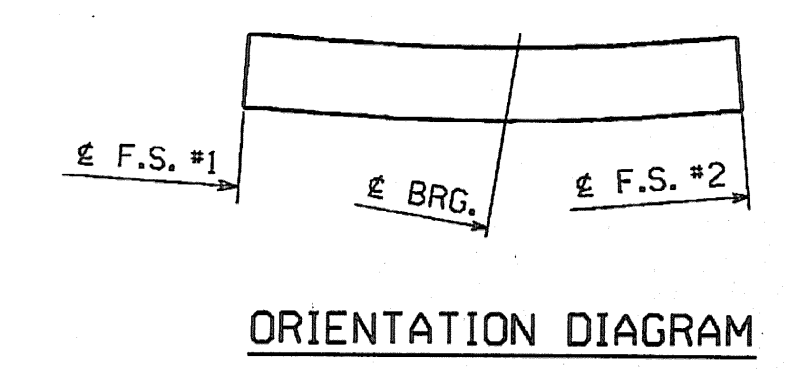
REVIEWED AS REQUIRED BY THE CONSTRUCTION CONTRACT DOCUMENTS AND APPROVED, BUT ONLY FOR CONFORMANCE TO THE DESIGN CONCEPT OF THE WORK, AND SUBJECT TO FURTHER LIMITATIONS AND REQUIREMENTS CONTAINED IN THE CONSTRUCTION CONTRACT DOCUMENTS.

REJECTED REVISE AND RESUBMIT FURNISH AS CORRECTED

CORRECTIONS OR COMMENTS MADE ON THE SHOP DRAWINGS DURING THIS REVIEW DO NOT RELIEVE CONTRACTOR FROM COMPLIANCE WITH REQUIREMENTS OF THE DRAWINGS AND SPECIFICATIONS. THIS CHECK IS ONLY FOR REVIEW OF GENERAL CONFORMANCE WITH THE DESIGN CONCEPT OF THE PROJECT AND GENERAL COMPLIANCE WITH THE INFORMATION GIVEN IN THE CONTRACT DOCUMENTS. THE CONTRACTOR IS RESPONSIBLE FOR: CORRECTING AND CORRELATING ALL QUANTITIES AND DIMENSIONS; SELECTING FABRICATION PROCESSES AND TECHNIQUES OF CONSTRUCTION; COORDINATING HIS WORK WITH THAT OF ALL OTHER TRADES, AND PERFORMING HIS WORK IN A SAFE AND SATISFACTORY MANNER.

VHSB Vanasse Hangen Brustlin, Inc.
Engineers, Planners, and Scientists
Six Bedford Farms, Milton Rd.
Dorchester, NH 03810, 603 554 0888

Job Number: 5011
Reviewed By: JMR
Date: 11/10/04



NO.	REVISION	BY	DATE
1	INCREASE LENGTHS TO SATISFY REQUIREMENTS FOR LENGTH @ MEAN TEMPERATURE OF 45°F & FIX PAINT NOTE.	DP	9/17/04

1770 Hemstead Road
Lancaster, PA 17605-0008
Phone 717/299-5211

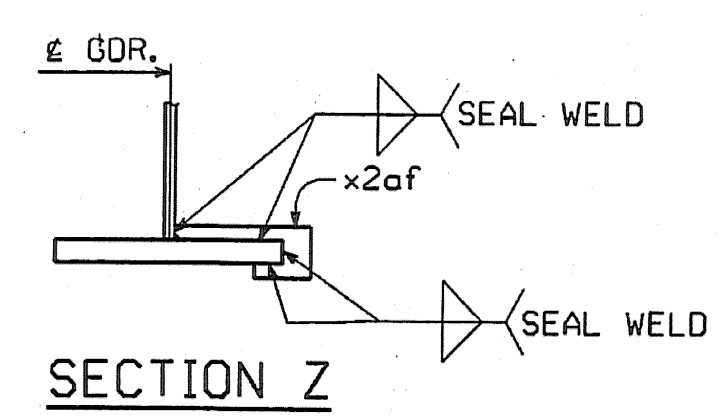
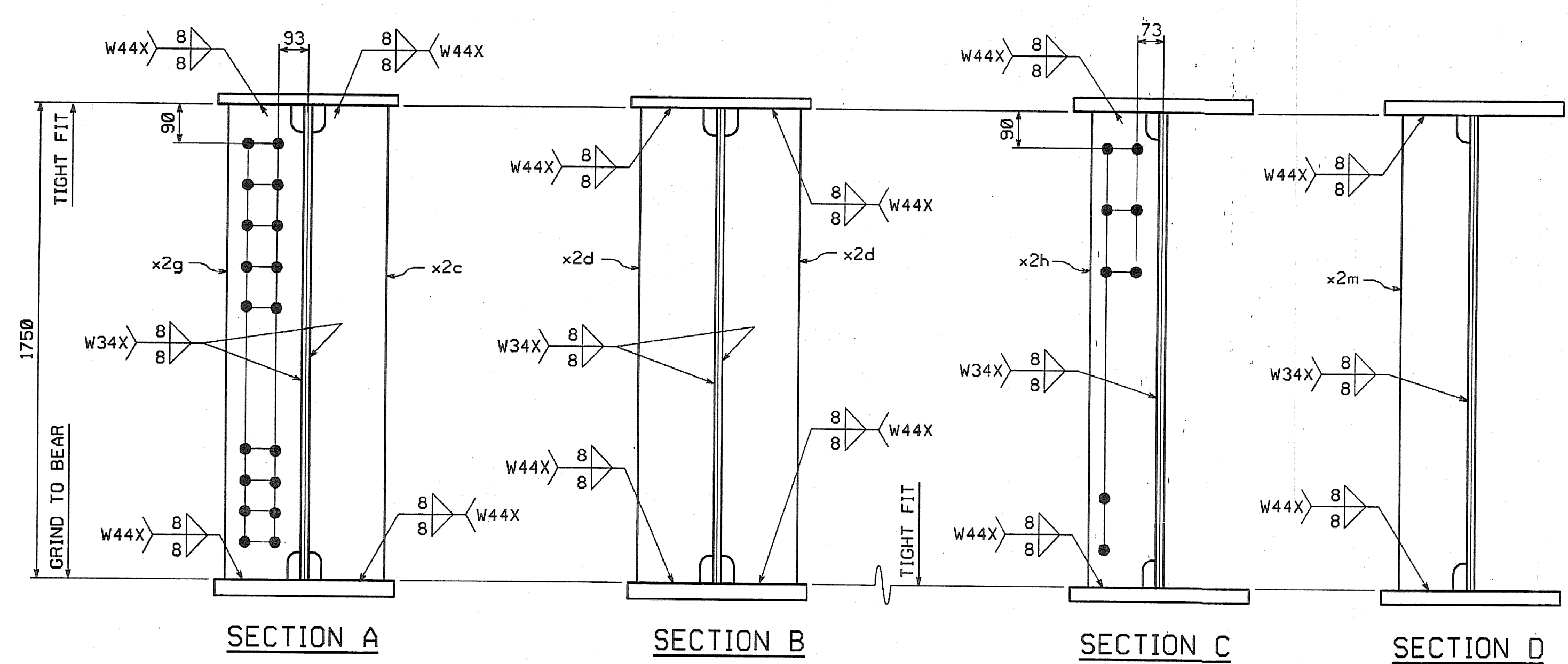
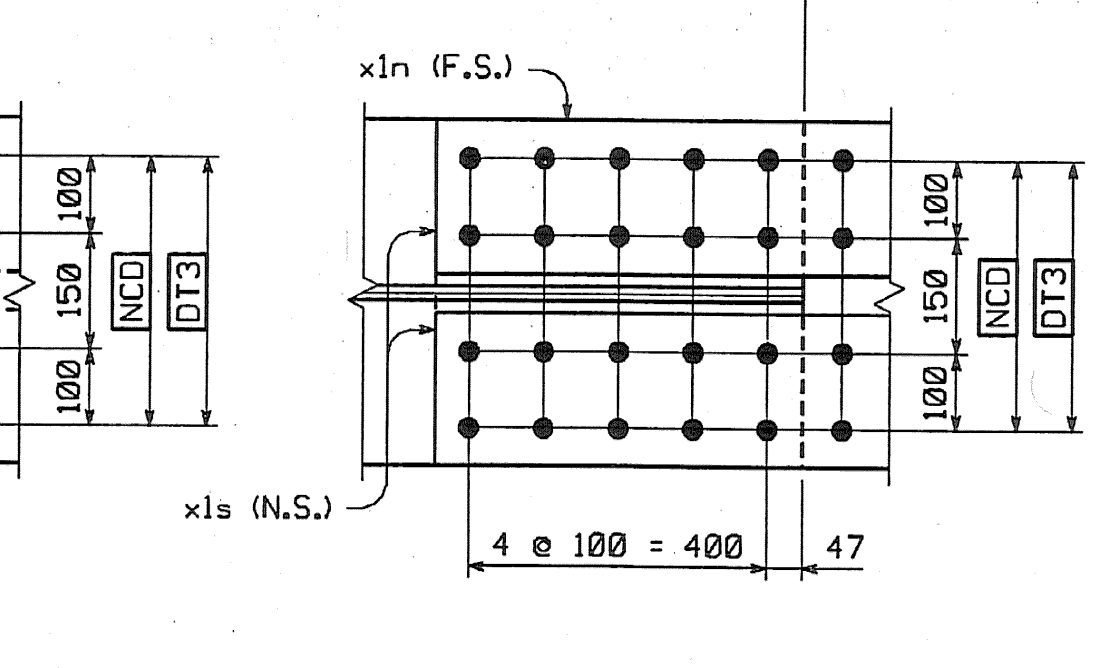
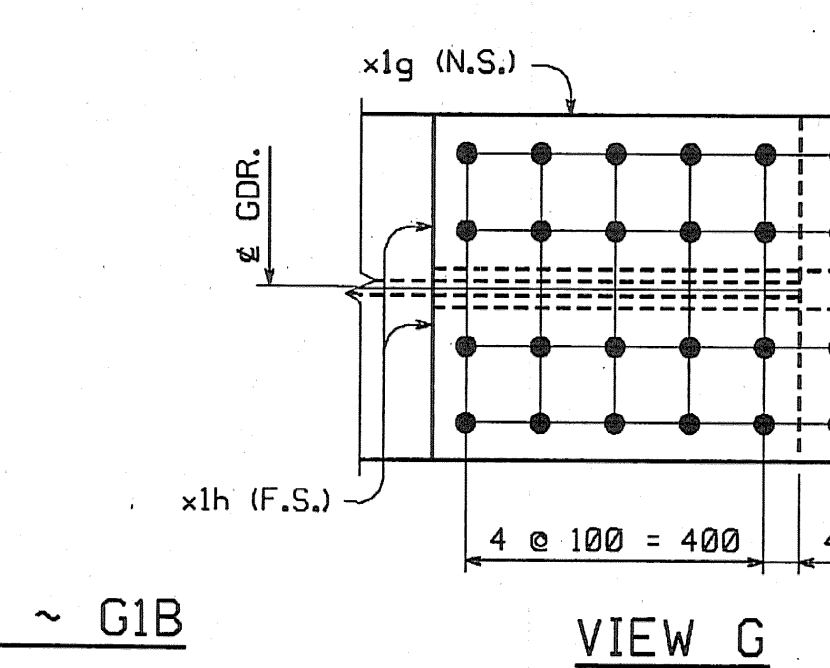
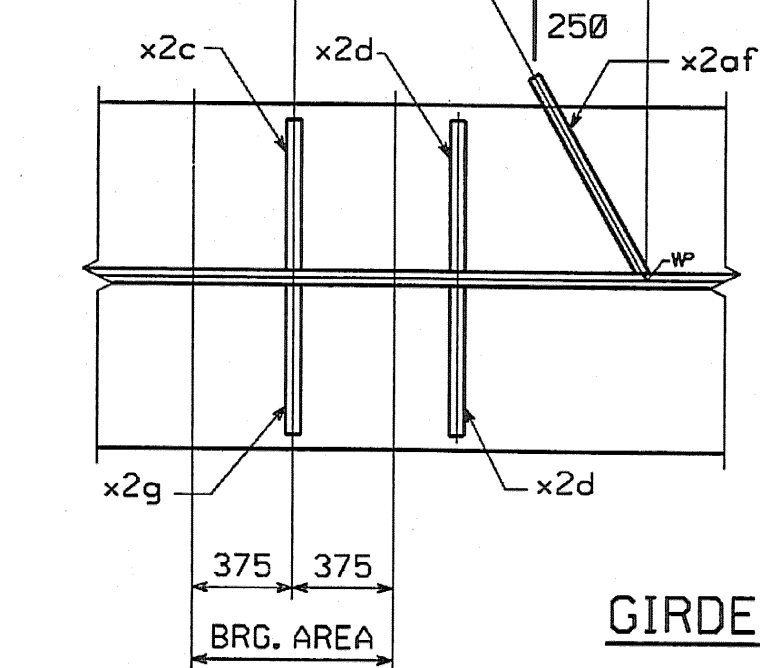
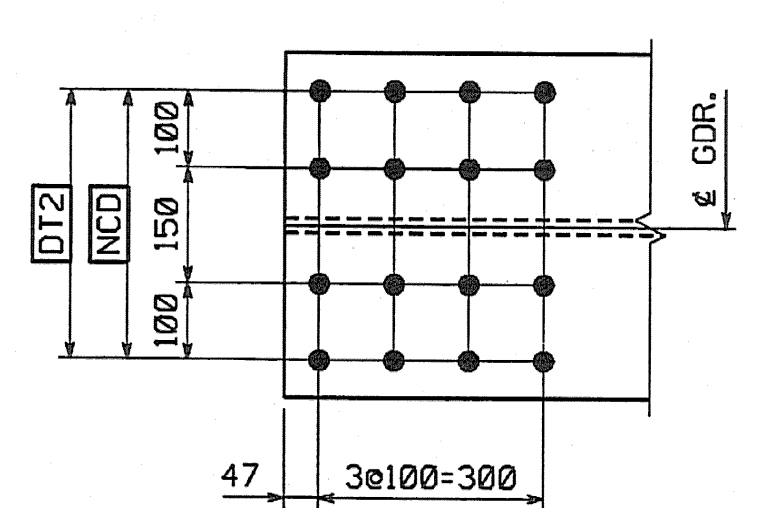
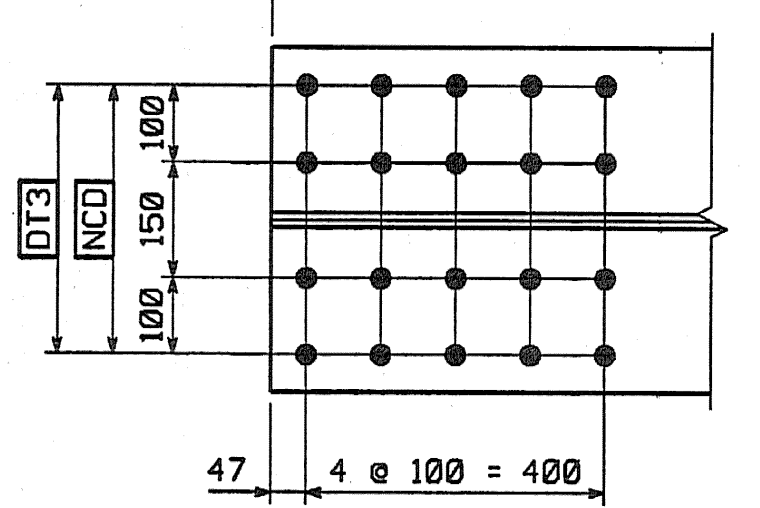
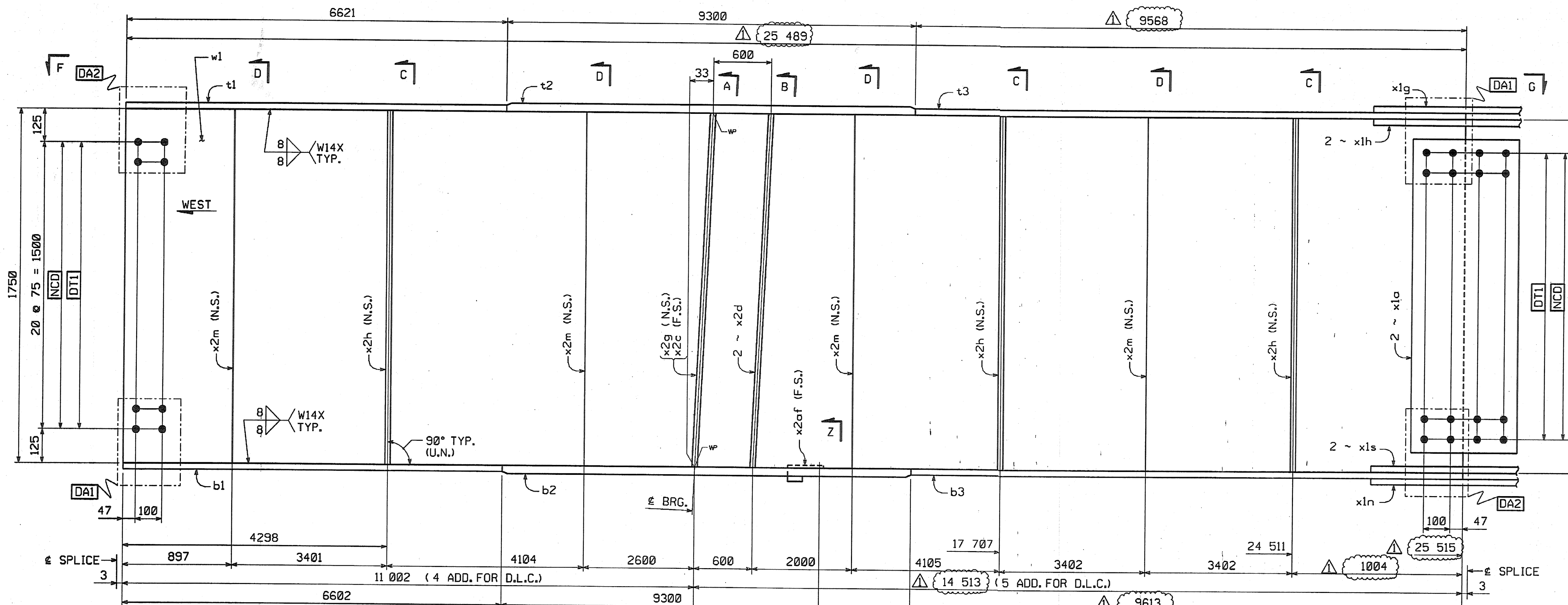
HIGH STEEL STRUCTURES, INC.
A Division of High Industries, Inc.

GIRDER G1B
VT 78 OVER MISSISQUOI BAY, BRIDGE NO. 2
VT 78 STA. 10+970.425 TO STA. 12+059.775
TOWNS OF ALBURG AND SWANTON
COUNTIES OF GRAND ISLE AND FRANKLIN
STATE OF VERMONT, AGENCY OF TRANSPORTATION

STATE CONTRACT OR REF. NO. BRF-036-1(1)

CONTRACTOR CIAMBRO CORPORATION
IN CHARGE: GLIDDEN (IH) MADE BY: SSL CHK'D. BY: CS DATE: 8-16-04

CONTRACT NUMBER: VT-04057-1 DRAWING NUMBER: 5 OF 112



SHOP NOTE
HOLES: 15/16" Ø
BOLTS: NONE
PAINT: NONE
FOR GENERAL SHOP NOTES, SEE DWG. GNI.
FOR WEB CAMBER DIAGRAM, SEE DWG. WCI.

CODE:30

BY: dpharmer
PLOTTED: 9/21/2004 8:07:52 AM