

METRIC

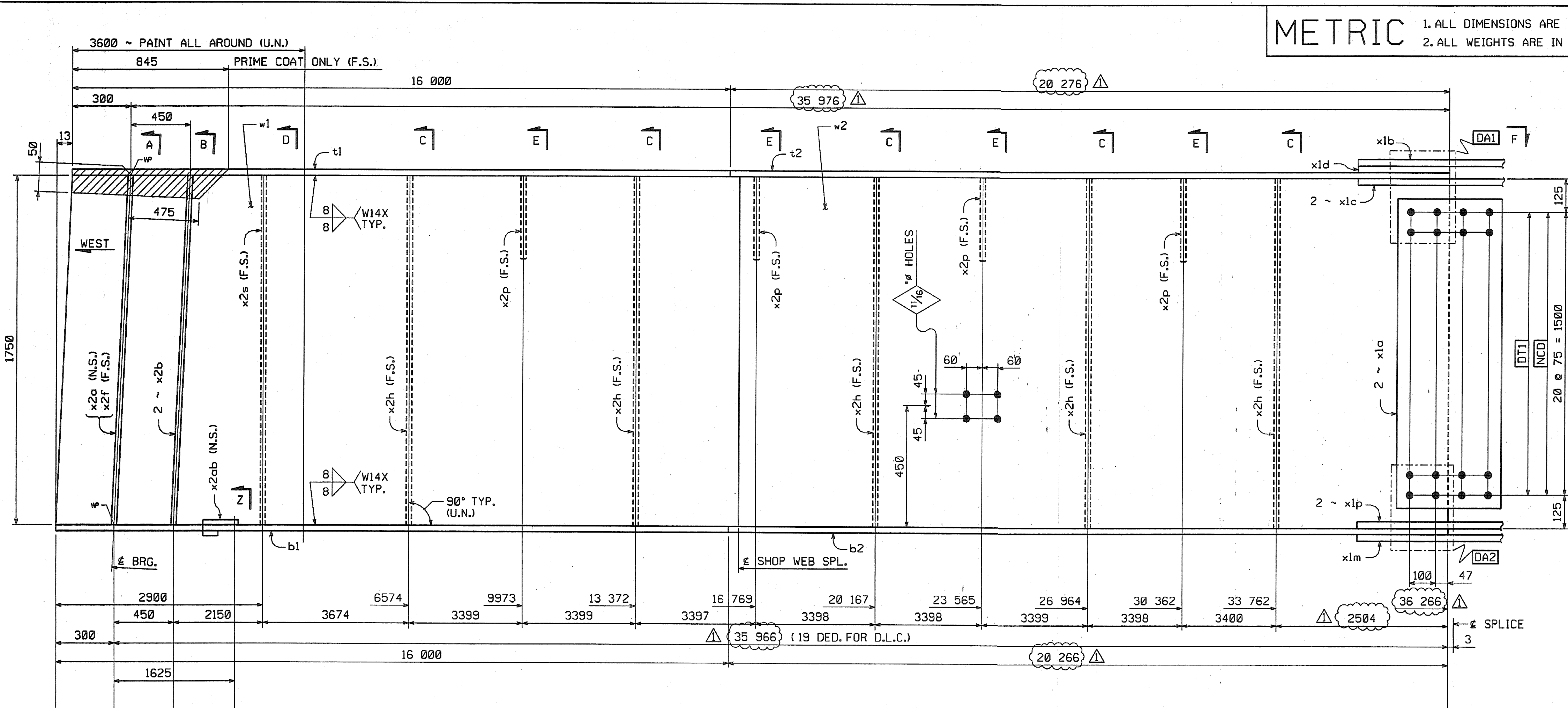
1. ALL DIMENSIONS ARE IN MILLIMETERS UNLESS OTHERWISE NOTED.
2. ALL WEIGHTS ARE IN KILOGRAMS.

FED. ROAD DIV. NO.	STATE	FED. AID PROJ. NO.
	VT	

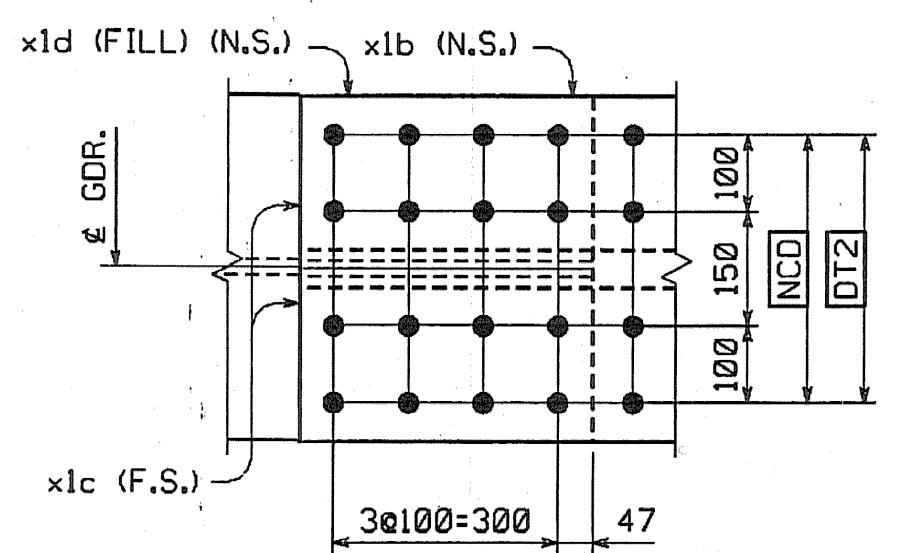
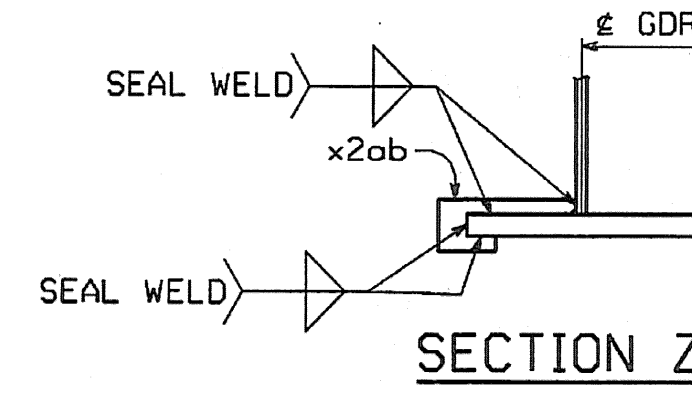
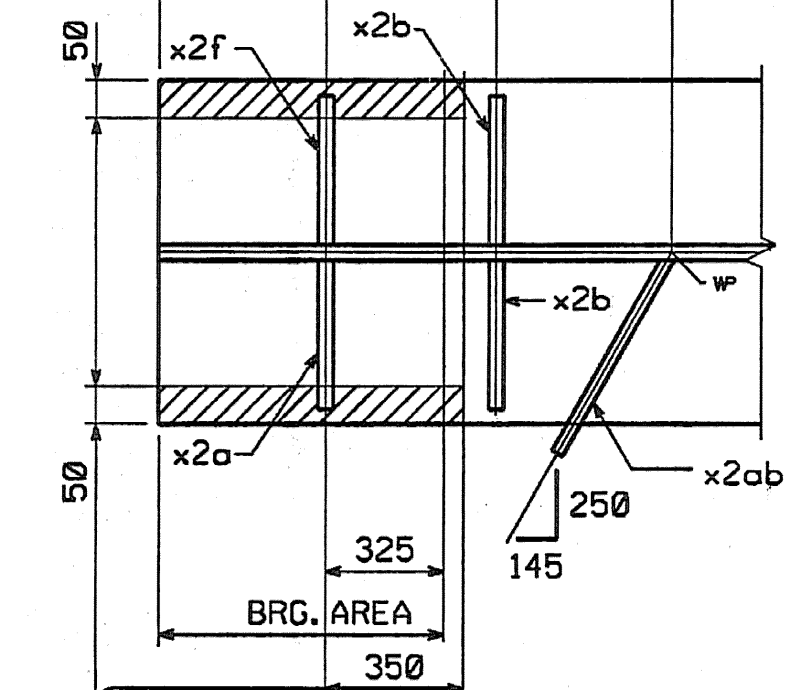
BILL OF MATERIAL

NO.	MARK	DESCRIPTION	LENGTH	REMARKS	GRP.	ITEM	SHIP. WT. KG. EA.
ONE	G4A	GRD.					16 720
1	w1	PL 16 x 1750	16-307	(T) 16000	3	11	3583.87
1	w2	PL 16 x 1750	19-999	(T) 20271	3	8	4395.28
1	l1	PL 22 x 450	16-004	(T) 16001	4	28	1243.38
1	l2	PL 22 x 450	20-272	(T) 20276	4	27	1575.65
1	b1	PL 40 x 450	16-001	(T) 16000	4	5	2260.68
1	b2	PL 40 x 450	20-267	(T) 20266	4	4	2863.40
2	x1a	PL 12 x 1600	400	(T)	6	1	80.28
1	x1b	PL 14 x 450	790	(T)	6	6	39.06
2	x1c	PL 16 x 200	790	(T)	6	5	19.84
1	x1d	PL 18 x 450	392	FILL	6	4	24.92
1	x1m	PL 18 x 450	990	(T)	6	3	62.94
2	x1p	PL 20 x 200	990	(T)	6	2	31.08
1	x2a	PL 22 x 200	1750		7	2	60.44
2	x2b	PL 22 x 200	1750		7	2	60.44
1	x2f	PL 22 x 200	1750		7	2	60.44
5	x2h	PL 12 x 180	1750		7	4	29.67
4	x2p	PL 14 x 180	310		7	3	6.43
1	x2s	PL 12 x 180	1750		7	4	29.67
1	x2ab	PL 6 x 300	301	See Sheet 16912	7	5	1.28

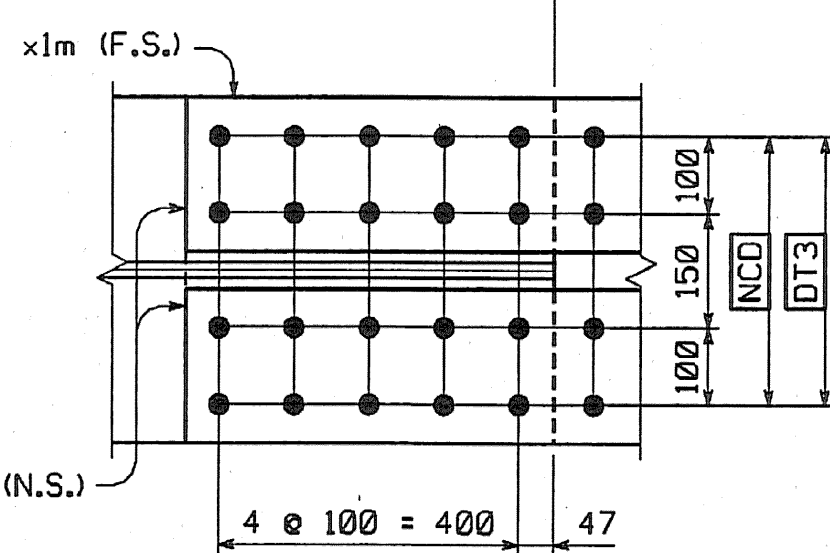
TOTAL WEIGHT THIS SHEET: 16717.16 kgs



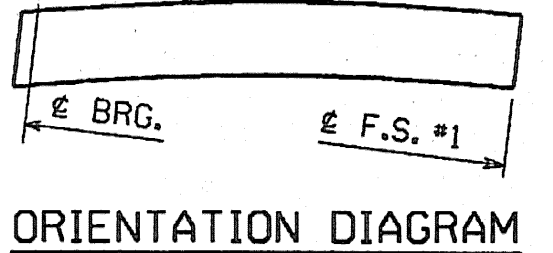
GIRDER ~ G4A



VIEW F



VIEW P



ORIENTATION DIAGRAM

SHOP DRAWING REVIEW

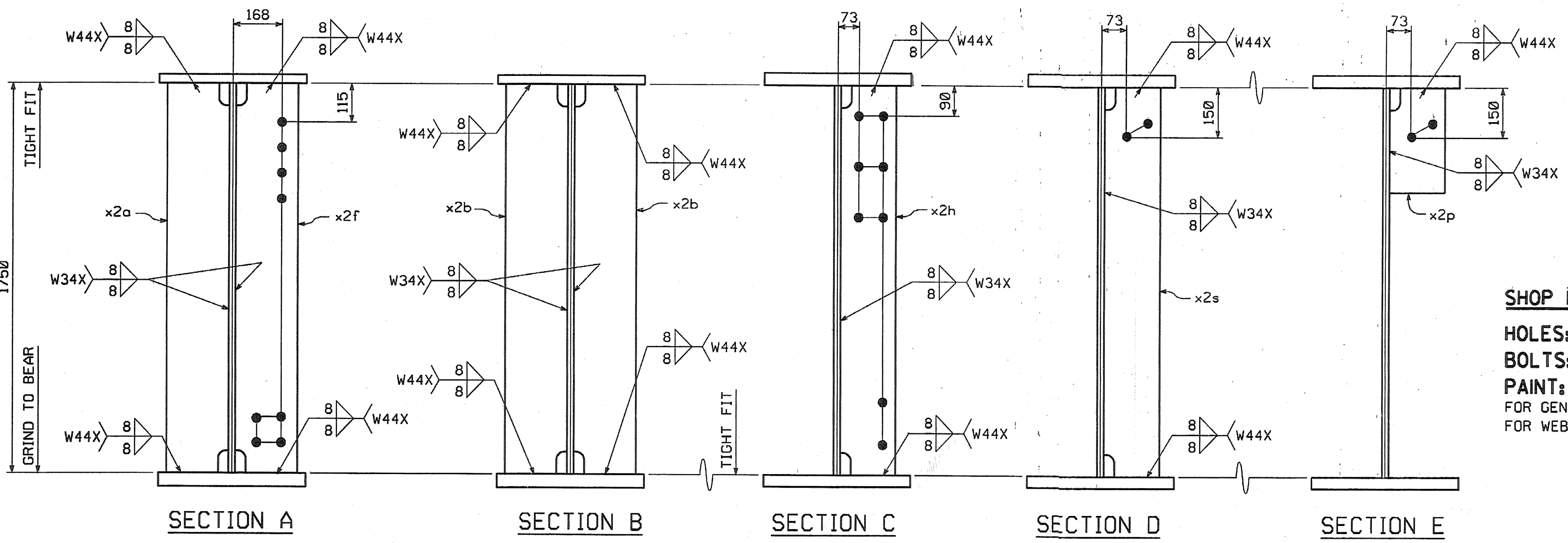
REVIEWED AS REQUIRED BY THE CONSTRUCTION CONTRACT DOCUMENTS AND APPROVED, BUT ONLY FOR CONFORMANCE TO THE DESIGN CONCEPT OF THE WORK, AND SUBJECT TO FURTHER LIMITATIONS AND REQUIREMENTS CONTAINED IN THE CONSTRUCTION CONTRACT DOCUMENTS.

REJECTED REVISE AND RESUBMIT FURNISH AS CORRECTED

CORRECTIONS OR COMMENTS MADE ON THE SHOP DRAWINGS DURING THIS REVIEW DO NOT RELIEVE CONTRACTOR FROM COMPLIANCE WITH REQUIREMENTS OF THE DRAWINGS AND SPECIFICATIONS. THIS CHECK IS ONLY FOR REVIEW OF GENERAL CONFORMANCE WITH THE DESIGN CONCEPT OF THE PROJECT AND GENERAL COMPLIANCE WITH THE INFORMATION GIVEN IN THE CONTRACT DOCUMENTS. THE CONTRACTOR IS RESPONSIBLE FOR CORRECTING AND CORRELATING ALL QUANTITIES AND DIMENSIONS, SELECTING FABRICATION PROCESSES AND TECHNIQUES OF CONSTRUCTION, COORDINATING HIS WORK WITH THAT OF ALL OTHER TRADES, AND PERFORMING HIS WORK IN A SAFE AND SATISFACTORY MANNER.

VHIB Vanessa Hargen Brustin, Inc.
Engineers, Planners, and Scientists
Six Bedford Farms, Milton Rd.
Bedford, NH 03112 603 644 0889

Job Number: 5511
Reviewed By: [Signature]
Date: 11/15/04



SHOP NOTE

HOLES: 15/16" (U.N.)
BOLTS: NONE
PAINT: SEE DWG. G01
 FOR GENERAL SHOP NOTES, SEE DWG. G01.
 FOR WEB CAMBER DIAGRAM, SEE DWG. W01.

STATE CONTRACT OR REF. NO.	BRF-036-1(1)	DATE	9/17/04
CONTRACTOR	CIAMBRO CORPORATION	BY	DHP
IN CHARGE	GLIDDEN (IH)	DATE	8/18/04
CONTRACT NUMBER	VT-04057-1	DRAWING NUMBER	4 OF 112

BY: dpointner
PLOTTED: 9/20/2004 10:42:33 PM