

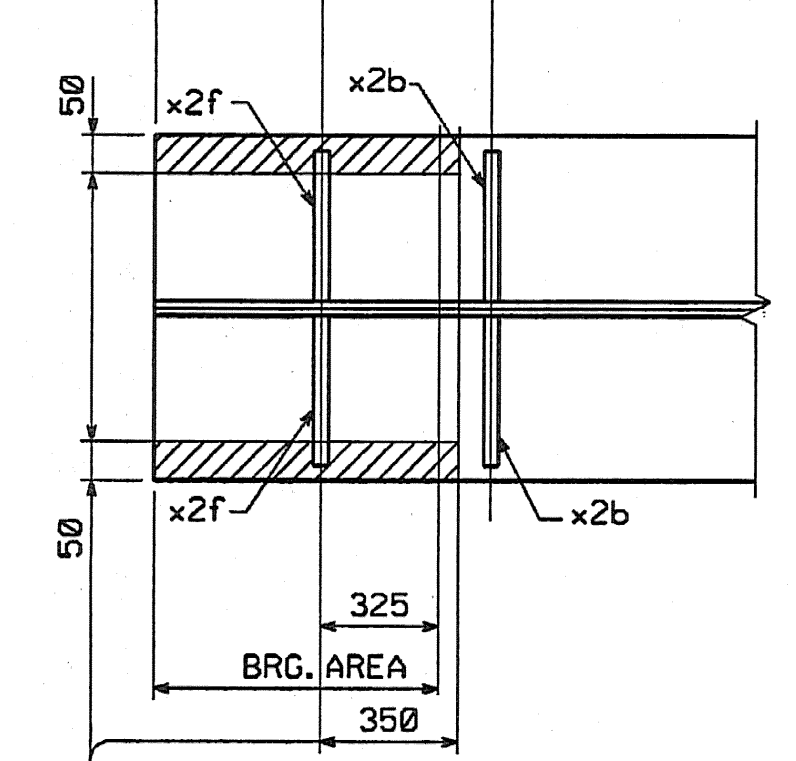
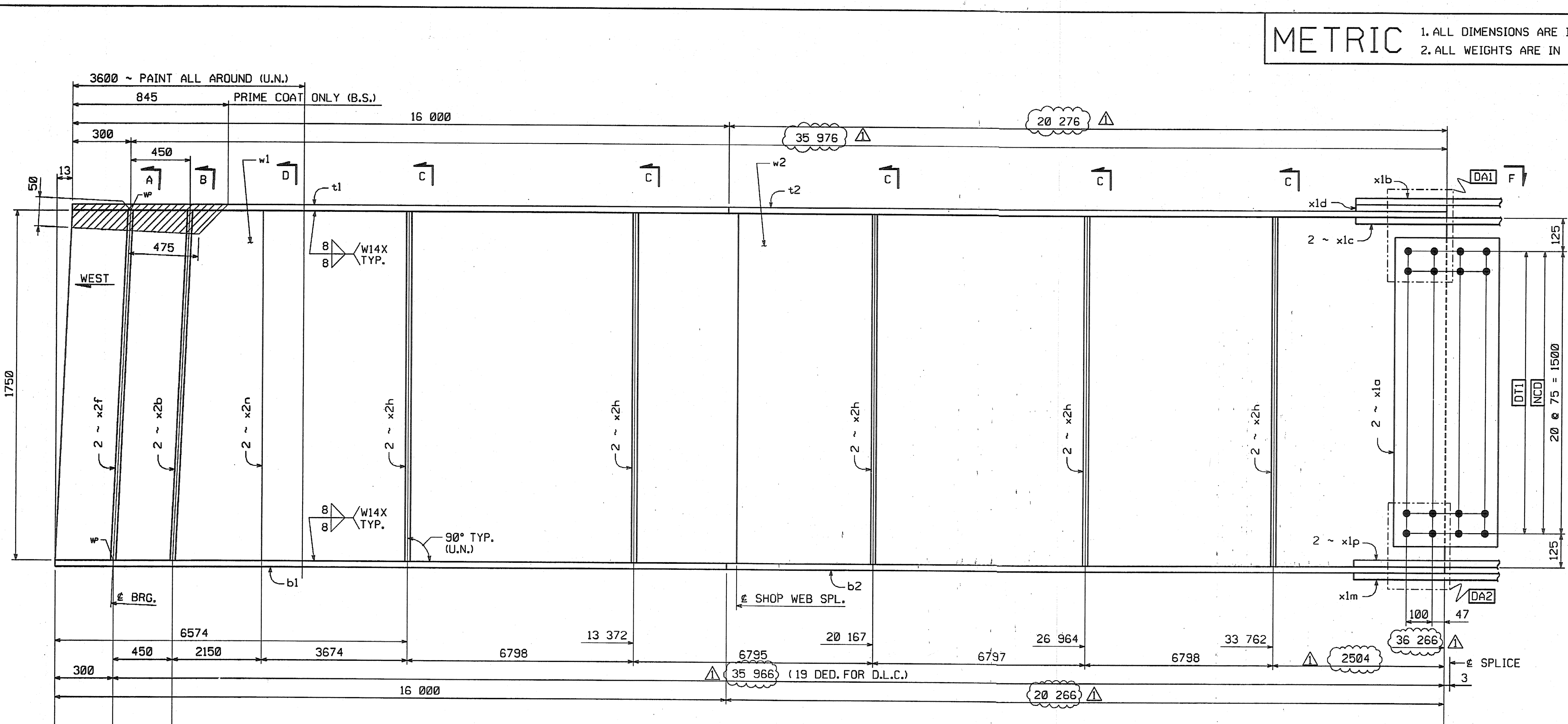
METRIC 1. ALL DIMENSIONS ARE IN MILLIMETERS UNLESS OTHERWISE NOTED.  
2. ALL WEIGHTS ARE IN KILOGRAMS.

FED. ROAD DIV. NO.	STATE	FED. AID PROJ. NO.
	VT	

BILL OF MATERIAL									
NO.	MARK	DESCRIPTION	LENGTH	REMARKS	GRP.	ITEM	SHIP WT. KG. EA.		
ONE G2A GIRDER							16 870		
1	w1	PL 16 x 1750	16 307	(T) 16000	3	11	3583.87	3516.80	
1	w2	PL 16 x 1750	19 999	(T) 20271	3	8	4395.28	4455.50	4455.50
1	11	PL 22 x 450	16 004	(T) 16000	4	28	1249.38	1243.44	1243.44
1	t2	PL 22 x 450	20 277	(T) 20276	4	27	1575.65	1575.75	1575.75
1	b1	PL 40 x 450	16 001	(T) 16000	4	5	2260.68	2260.80	2260.80
1	b2	PL 40 x 450	20 287	(T) 20266	4	4	2863.40	2863.58	2863.54
2	x1a	PL 12 x 1600	400	(T)	6	1	60.28	120.57	120.56
1	x1b	PL 14 x 450	790	(T)	6	6	39.08	39.87	39.87
2	x1c	PL 16 x 200	790	(T)	6	5	19.84	39.65	39.67
1	x1d	PL 18 x 450	392	FILL	6	4	24.92	24.92	24.92
1	x1m	PL 18 x 450	990	(T)	6	3	62.94	62.95	62.95
2	x1p	PL 20 x 200	990	(T)	6	2	31.08	62.17	62.17
2	x2b	PL 22 x 200	1 750		7	2	60.44	120.89	120.89
2	x2f	PL 22 x 200	1 750		7	2	69.44	138.88	138.88
10	x2h	PL 12 x 180	1 750		7	4	29.67	296.72	296.72
2	x2n	PL 12 x 180	1 750		7	4	29.67	59.34	59.34

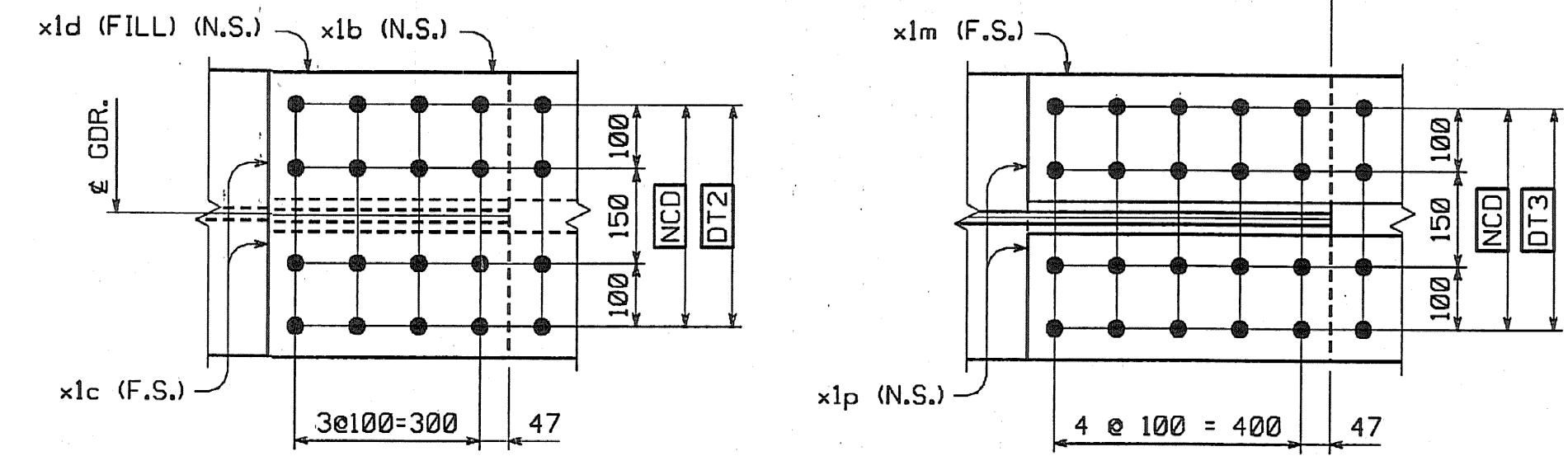
TOTAL WEIGHT THIS SHEET: 16869.38 kgs

checked by: A-910ek  
7-12-09  
67.4% OVER ESTIMATE  
16869.38  
16869.38  
JMR  
8-21-06  
08-10-06

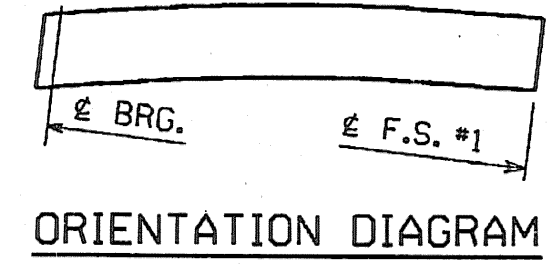
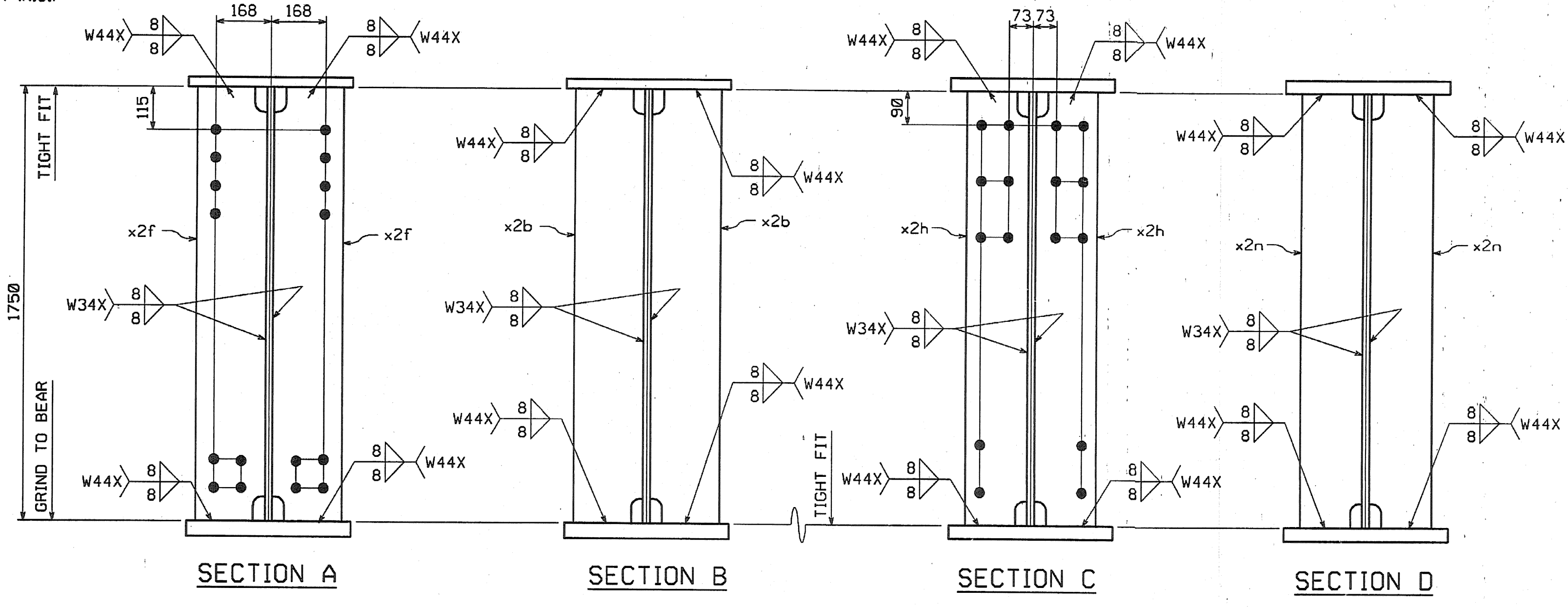


LIGHT RUST PREVENTIVE COAT OF PRIMER BOTT. OF BOTT. FLG., EDGES & SHADED AREA (N.S.)

GIRDER ~ G2A



VIEW F



**SHOP NOTE**  
HOLES: 1 1/16" ø  
BOLTS: NONE  
PAINT: SEE DWG. GNI  
FOR GENERAL SHOP NOTES, SEE DWG. GNI.  
FOR WEB CAMBER DIAGRAM, SEE DWG. WC1.

**SHOP DRAWING REVIEW**

REVIEWED AS REQUIRED BY THE CONSTRUCTION CONTRACT DOCUMENTS AND APPROVED, BUT ONLY FOR CONFORMANCE TO THE DESIGN CONCEPT OF THE WORK, AND SUBJECT TO FURTHER LIMITATIONS AND REQUIREMENTS CONTAINED IN THE CONSTRUCTION CONTRACT DOCUMENTS.

REJECTED  REVISE AND RESUBMIT  FURNISH AS CORRECTED

CORRECTIONS OR COMMENTS MADE ON THE SHOP DRAWINGS DURING THIS REVIEW DO NOT RELIEVE CONTRACTOR FROM COMPLIANCE WITH REQUIREMENTS OF THE DRAWINGS AND SPECIFICATIONS. THIS CHECK IS ONLY FOR REVIEW OF GENERAL CONFORMANCE WITH THE DESIGN CONCEPT OF THE PROJECT AND GENERAL COMPLIANCE WITH THE INFORMATION GIVEN IN THE CONTRACT DOCUMENTS. THE CONTRACTOR IS RESPONSIBLE FOR: CONFIRMING AND CORRELATING ALL QUANTITIES AND DIMENSIONS; SELECTING FABRICATION PROCESSES AND TECHNIQUES OF CONSTRUCTION; COORDINATING HIS WORK WITH THAT OF ALL OTHER TRADES; AND PERFORMING HIS WORK IN A SAFE AND SATISFACTORY MANNER.

VHB Vansasse Hangen Brustlin, Inc.  
Engineers, Planners, and Scientists  
Six Bedford Farms, Alton Rd.  
Bedford, NH 03110, 603.644.0988

Job Number: 55011  
Reviewed By: [Signature]  
Date: 11/10/04

NO.	REVISION	DP	DATE
	INCREASE LENGTHS TO SATISFY REQUIREMENTS FOR LENGTH	DP	9/17/04
	MEAN TEMPERATURE OF 45°F.		
<p>1770 Hempstead Road Lancaster, PA 17605-0008 Phone 717/299-5211</p> <p><b>HIGH STEEL STRUCTURES, INC.</b></p> <p>A Division of High Industries, Inc.</p>			
GIRDER		G2A	
VT 78 OVER MISSISSQUOI BAY, BRIDGE NO. 2			
VT 78 STA.10+970.425 TO STA.12+059.775			
TOWNS OF ALBURG AND SWANTON			
COUNTIES OF GRAND ISLE AND FRANKLIN			
STATE OF VERMONT, AGENCY OF TRANSPORTATION			
STATE CONTRACT OR REF. NO. BRF-036-1(1)			
CONTRACTOR: CIAMBRO CORPORATION			
IN CHARGE: GLIDDEN (IH)	MADE BY: DAP	CHK'D. BY: CS	DATE: 8/18/04
CONTRACT NUMBER: VT-04057-1		DRAWING NUMBER: 2 OF 112	