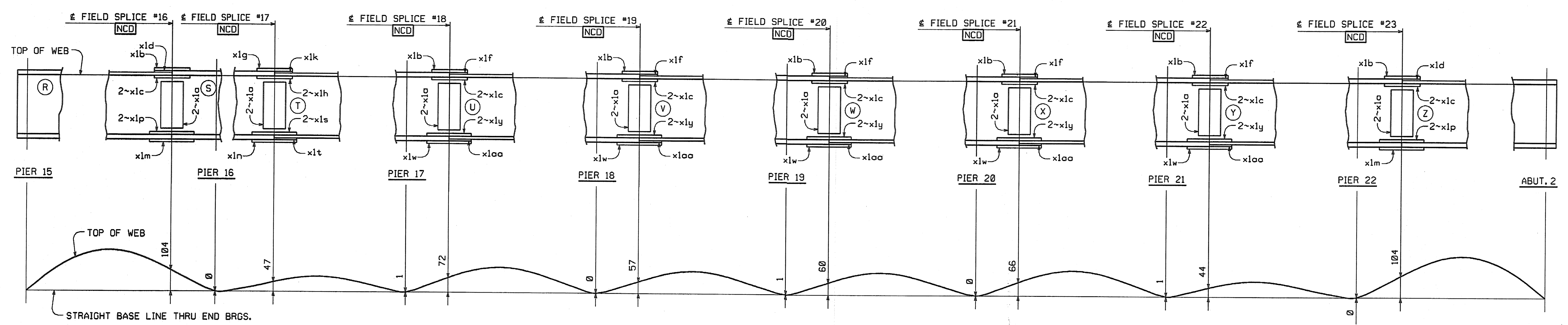


METRIC

METRIC 1. ALL DIMENSIONS ARE IN MILLIMETERS UNLESS OTHERWISE NOTED.  
2. ALL WEIGHTS ARE IN KILOGRAMS.

FED. ROAD DIV. NO.	STATE	FED. AID PROJ. NO.
	VT	



LINE ASSEMBLY DIAGRAM  
(GIRDER LINES G9 THRU G12)

- NOTES:**
- MATCH MARKING OF SPLICE PLATES IS NOT REQUIRED.
  - HOLES MARKED [NCD] ARE TO BE DRILLED FULL-SIZE USING A CNC MACHINING CENTER OR DRILLED FULL-SIZE USING DRILL TEMPLATES. HOLES TO BE 1 5/16" Ø.
  - FOR GIRDER MARKS, SEE THE ERECTION FRAMING PLAN DRAWINGS OR CALCULATION PLANS. MINIMUM ONE LINE SET-UP AS REQUESTED BY SHOP INSPECTOR.
  - (R) INDICATES SUFFIX MARK OF SHIPPING PIECE.
  - FIELD SPLICE PLATES TO BE SHIPPED ON THE RIGHT END OF GIRDERS (R) (S) (T) (U) (V) (W) (X) & (Y).

**SHOP DRAWING REVIEW**

REVIEWED AS REQUIRED BY THE CONSTRUCTION CONTRACT DOCUMENTS AND APPROVED, BUT ONLY FOR CONFORMANCE TO THE DESIGN CONCEPT OF THE WORK, AND SUBJECT TO FURTHER LIMITATIONS AND REQUIREMENTS CONTAINED IN THE CONSTRUCTION CONTRACT DOCUMENTS.

REJECTED  REVISE AND RESUBMIT  FURNISH AS CORRECTED

CORRECTIONS OR COMMENTS MADE ON THE SHOP DRAWINGS DURING THIS REVIEW DO NOT RELIEVE CONTRACTOR FROM COMPLIANCE WITH REQUIREMENTS OF THE DRAWINGS AND SPECIFICATIONS. THIS CHECK IS ONLY FOR REVIEW OF GENERAL CONFORMANCE WITH THE DESIGN CONCEPT OF THE PROJECT AND GENERAL COMPLIANCE WITH THE INFORMATION GIVEN IN THE CONTRACT DOCUMENTS. THE CONTRACTOR IS RESPONSIBLE FOR, GUARANTEEING AND CORRELATING ALL QUANTITIES AND DIMENSIONS, SELECTING FABRICATION PROCESSES AND TECHNIQUES OF CONSTRUCTION, COORDINATING HIS WORK WITH THAT OF ALL OTHER TRADES, AND PERFORMING HIS WORK IN A SAFE AND SATISFACTORY MANNER.

**VHB** Vanasse Hangen Brustlin, Inc.  
Engineers, Planners, and Scientists  
Six Bedford Farms, Kilton Rd.  
Bedford, NH 03110 603-884-9888

Job Number: 5091  
Reviewed By: SMH  
Date: 11/10/04

NO.	REVISION	BY	DATE

1770 Hempstead Road  
Lancaster, PA 17603-0008  
Phone 717/299-5211

**HIGH STEEL STRUCTURES, INC.**

SHOP ASSEMBLY DIAGRAM  
VT 78 OVER MISSISQUODI BAY, BRIDGE NO. 2  
VT 78 STA.10+970.425 TO STA.12+059.775  
TOWNS OF ALBURG AND SWANTON  
COUNTIES OF GRAND ISLE AND FRANKLIN  
STATE OF VERMONT, AGENCY OF TRANSPORTATION

STATE CONTRACT OR REF. NO. BRF-036-1(1)

CONTRACTOR CIAMBRO CORPORATION

IN CHARGE: GLIDDEN (IH) MADE BY: SSJ CHK'D. BY: CS DATE: 8-11-04

CONTRACT NUMBER: VT-04057-3 DRAWING NUMBER: SA3 OF SA3

BY: dpointer  
PLOTTED: 8/23/2004 12:54:45 PM