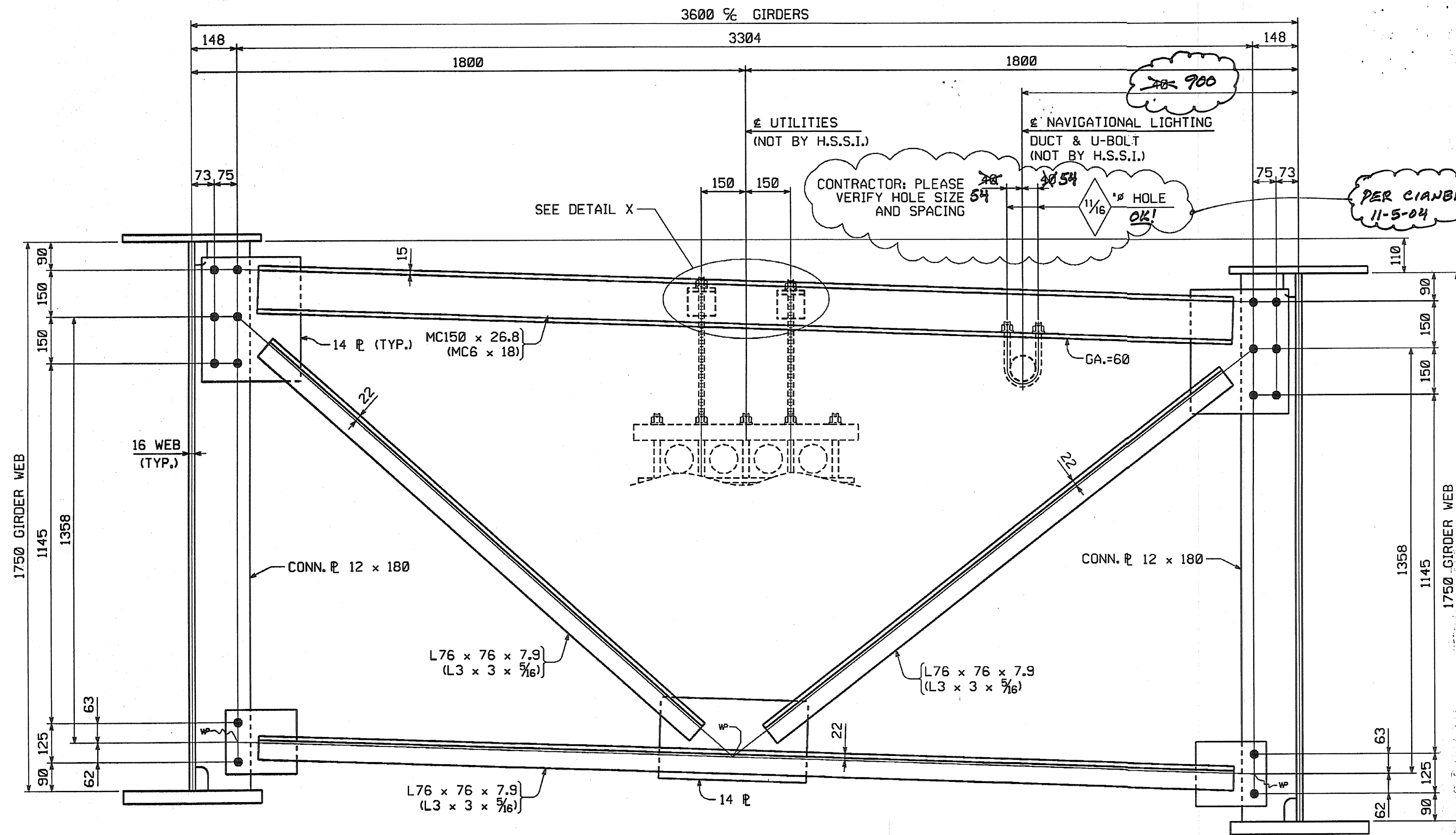


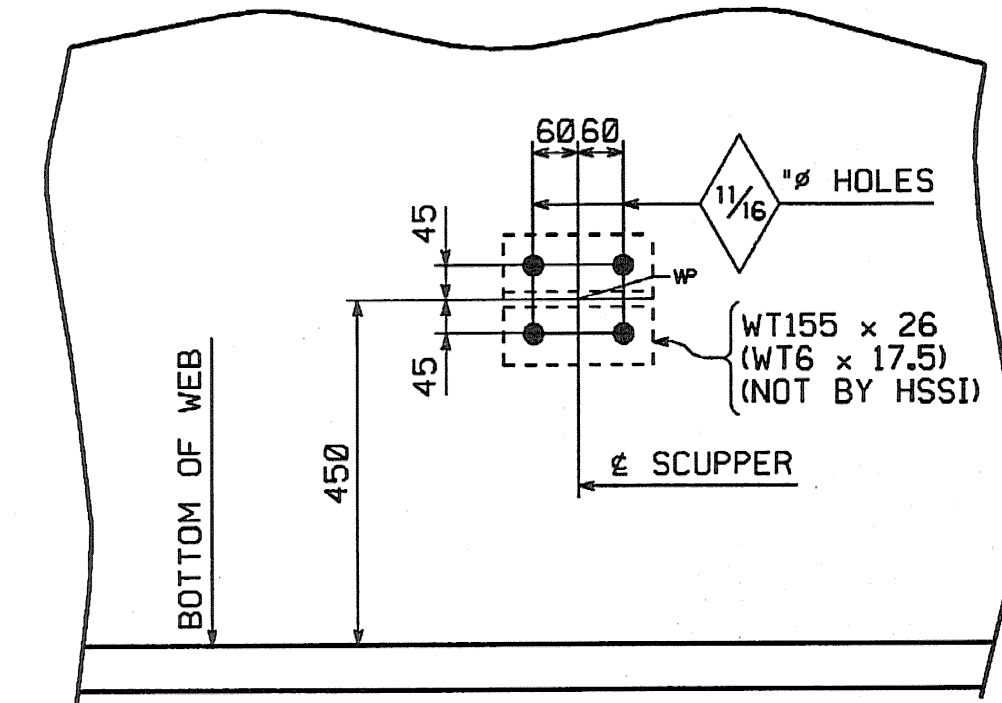
METRIC

1. ALL DIMENSIONS ARE IN MILLIMETERS UNLESS OTHERWISE NOTED.
2. ALL WEIGHTS ARE IN KILOGRAMS.

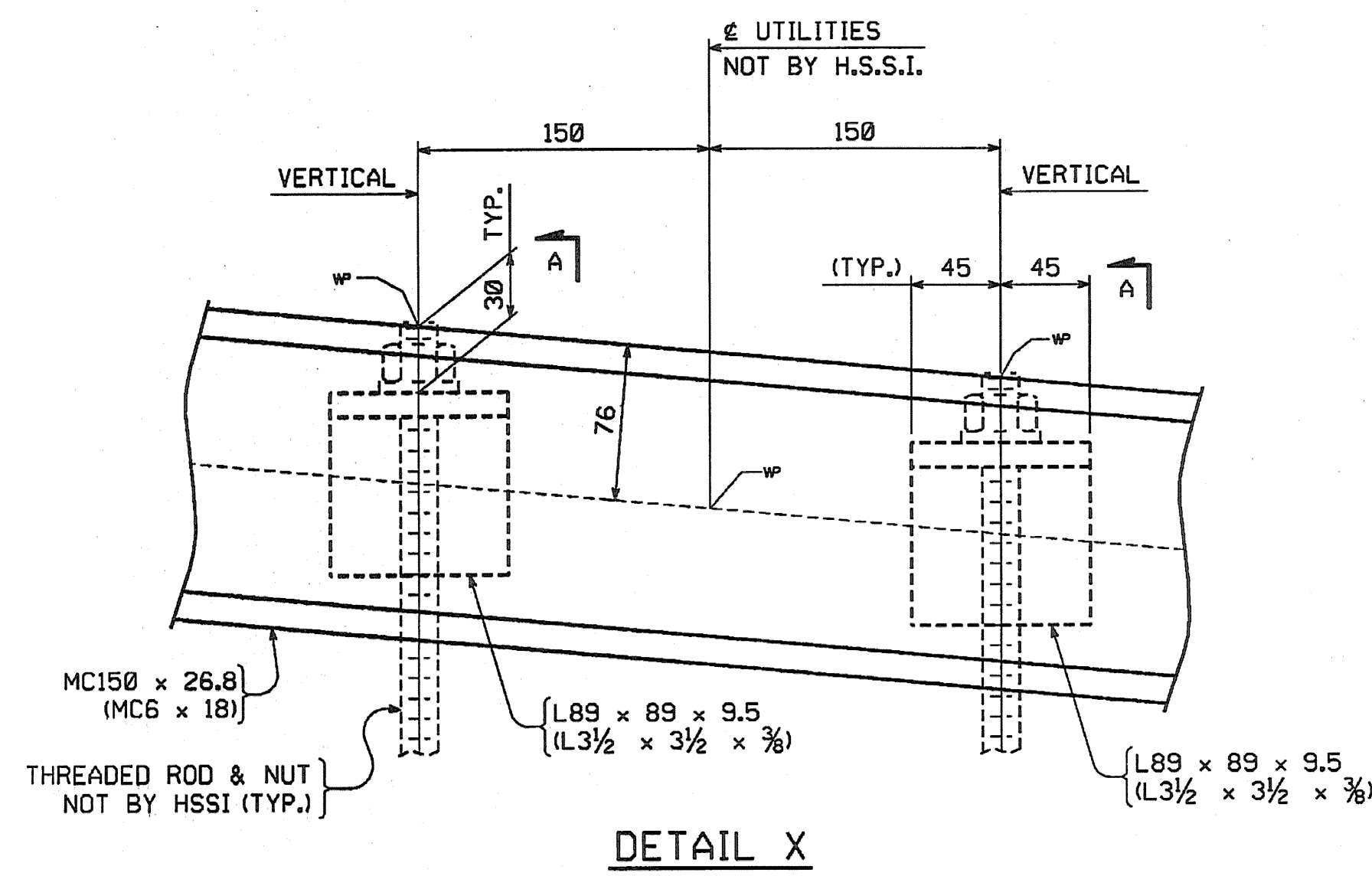
FED. ROAD DIV. NO.	STATE	FED. AID PROJ. NO.
	VT	



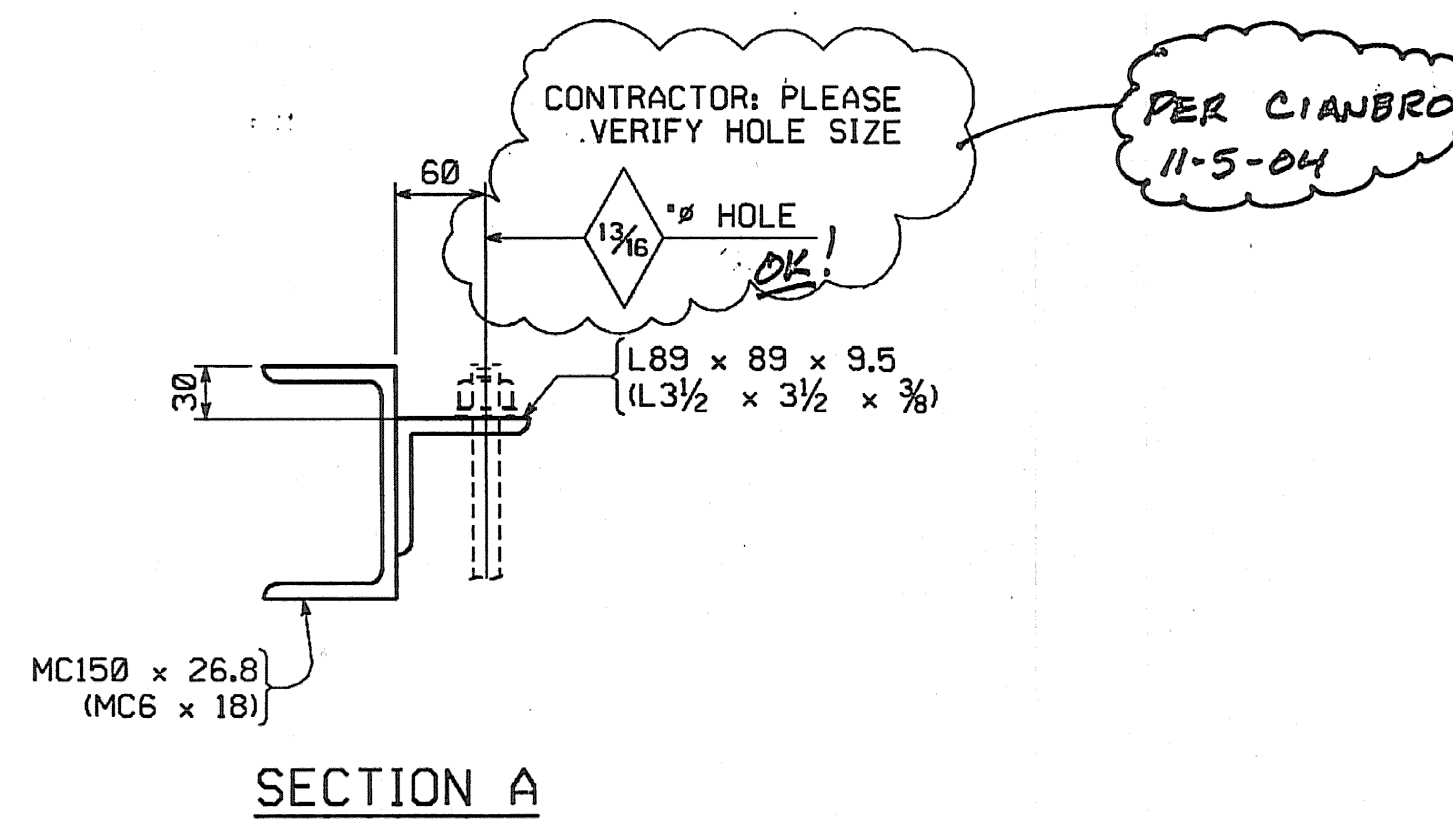
INTERMEDIATE CROSSFRAME LAYOUT
(BAY 3 - LOOKING STATIONS AHEAD)



SCUPPER SUPPORT LAYOUT



DETAIL X



SECTION A

SHOP DRAWING REVIEW	
<input type="checkbox"/> REVIEWED AS REQUIRED BY THE CONSTRUCTION CONTRACT DOCUMENTS AND APPROVED, BUT ONLY FOR CONFORMANCE TO THE DESIGN CONCEPT OF THE WORK, AND SUBJECT TO FURTHER LIMITATIONS AND REQUIREMENTS CONTAINED IN THE CONSTRUCTION CONTRACT DOCUMENTS.	<input type="checkbox"/> REJECT
<input type="checkbox"/> CORRECTIONS OR COMMENTS MADE ON THE SHOP DRAWINGS DURING THIS REVIEW DO NOT RELIEVE CONTRACTOR FROM COMPLIANCE WITH REQUIREMENTS OF THE DRAWINGS AND SPECIFICATIONS. THIS CHECK IS ONLY FOR REVIEW OF GENERAL CONFORMANCE WITH THE DESIGN CONCEPT OF THE PROJECT AND GENERAL COMPLIANCE WITH THE INFORMATION GIVEN IN THE CONTRACT DOCUMENTS. THE CONTRACTOR IS RESPONSIBLE FOR: CONFIRMING AND CORRELATING ALL QUANTITIES AND DIMENSIONS; SELECTING FABRICATION PROCESSES AND TECHNIQUES OF CONSTRUCTION; COORDINATING HIS WORK WITH THAT OF ALL OTHER TRADES; AND PERFORMING HIS WORK IN A SAFE AND SATISFACTORY MANNER.	<input type="checkbox"/> REVISE AND RESUBMIT
<input checked="" type="checkbox"/> FURNISH AS CORRECTED	<input type="checkbox"/> FURNISH AS CORRECTED
Vanasse Hangen Brustlin, Inc. Engineers, Planners, and Scientists Six Bedford Farms, Milton Rd. Bedford, NH 03112 603 844 0000	
Job Number: 50911	Reviewed By: <i>SMH</i>
Date: 11/1/04	

NOTES:
FOR NOTES, SEE DRAWING WSI.
WORK THIS DRAWING WITH DRAWINGS WSI THRU WSI2.
ALL HOLES TO BE 1 5/16" FOR 3/8" H.S. BOLTS (U.N.).

NO.	REVISION	BY	DATE

1770 Hempstead Road
Lancaster, PA 17605-0008
Phone 717/299-5211

HIGH STEEL STRUCTURES, INC.
A Division of High Industries, Inc.

TYPICAL DETAILS ~ CROSSFRAME LAYOUTS
VT 78 OVER MISSISSQUOI BAY, BRIDGE NO. 2
VT 78 STA.10+970.425 TO STA.12+059.775
TOWNS OF ALBURG AND SWANTON
COUNTIES OF GRAND ISLE AND FRANKLIN
STATE OF VERMONT, AGENCY OF TRANSPORTATION

STATE CONTRACT OR REF. NO. BRF-036-1(1)

CONTRACTOR CIAMBRO CORPORATION
IN CHARGE: GLIDDEN (IH) MADE BY: JSA CHK'D. BY: DAP DATE: 8-16-04

CONTRACT NUMBER: VT-04057-1,2&3 DRAWING NUMBER: TD4 OF TD4

••NOTE••
THE PURPOSE OF THIS DRAWING IS TO COORDINATE GEOMETRIC CONTROL INFORMATION. THIS DRAWING IS SUBMITTED FOR INFORMATION ONLY AND IS NOT INTENDED FOR SHOP FABRICATION. THIS DRAWING IS FOR REFERENCE ONLY, APPROVAL IS NOT REQUIRED.