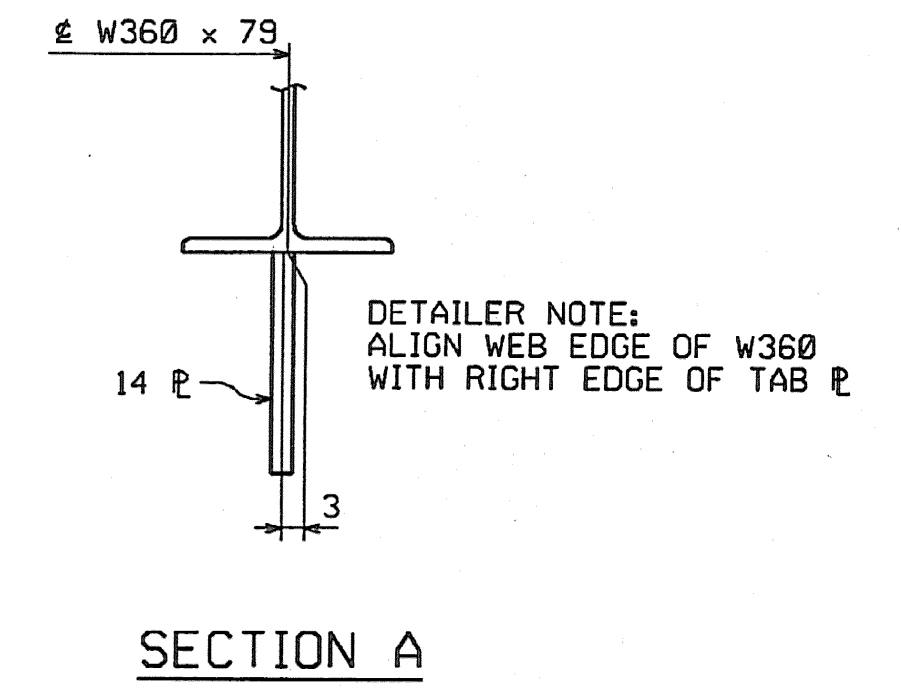
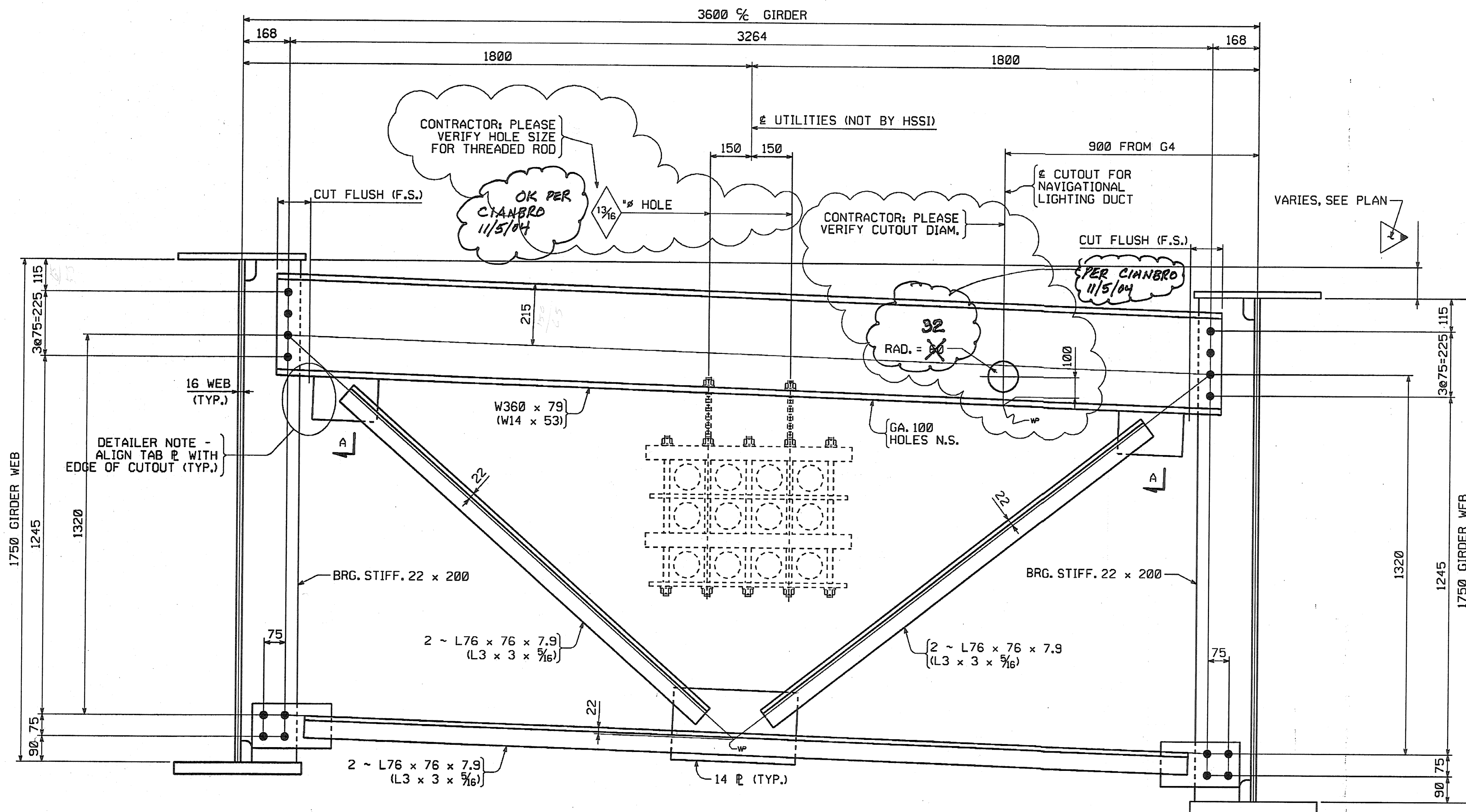


METRIC

1. ALL DIMENSIONS ARE IN MILLIMETERS UNLESS OTHERWISE NOTED.
2. ALL WEIGHTS ARE IN KILOGRAMS.

FED. ROAD DIV. NO.	STATE	FED. AID PROJ. NO.
	VT	



END CROSSFRAME LAYOUT
(LOOKING FROM CENTER OF EACH UNIT - UTILITIES SHOWN FOR BAY 3 ONLY)
(BAY 1 & BAY 2 SIMILAR)
(FOR ABUTS., PIER 7 & PIER 15)

SHOP DRAWING REVIEW

REVIEWED AS REQUIRED BY THE CONSTRUCTION CONTRACT DOCUMENTS AND APPROVED, BUT ONLY FOR CONFORMANCE TO THE DESIGN CONCEPT OF THE WORK, AND SUBJECT TO FURTHER LIMITATIONS AND REQUIREMENTS CONTAINED IN THE CONSTRUCTION CONTRACT DOCUMENTS.

REJECTED REVISE AND RESUBMIT FURNISH AS CORRECTED

CORRECTIONS OR COMMENTS MADE ON THE SHOP DRAWINGS DURING THIS REVIEW DO NOT RELIEVE CONTRACTOR FROM COMPLIANCE WITH REQUIREMENTS OF THE DRAWINGS AND SPECIFICATIONS. THIS CHECK IS ONLY FOR REVIEW OF GENERAL CONFORMANCE WITH THE DESIGN CONCEPT OF THE PROJECT AND GENERAL COMPLIANCE WITH THE INFORMATION GIVEN IN THE CONTRACT DOCUMENTS. THE CONTRACTOR IS RESPONSIBLE FOR: CONFIRMING AND CORRELATING ALL QUANTITIES AND DIMENSIONS; SELECTING FABRICATION PROCESSES AND TECHNIQUES OF CONSTRUCTION; COORDINATING HIS WORK WITH THAT OF ALL OTHER TRADES; AND PERFORMING HIS WORK IN A SAFE AND SATISFACTORY MANNER.

Vanasse Hangen Brustlin, Inc.
Engineers, Planners, and Scientists
Six Bedford Farm, Kilton Rd.
Bedford, NH 03110 603 644 0885

Job Number: 50911
Reviewed By: *SMH*
Date: 11/13/04

NO.	REVISION	BY	DATE

1770 Hempstead Road
Lancaster, PA 17605-0008
Phone 717/299-5211

HIGH STEEL STRUCTURES, INC.

TYPICAL DETAILS ~ CROSSFRAME LAYOUTS
VT 78 OVER MISSISQUOI BAY, BRIDGE NO. 2
VT 78 STA.10+970.425 TO STA.12+059.775
TOWNS OF ALBURG AND SWANTON
COUNTIES OF GRAND ISLE AND FRANKLIN
STATE OF VERMONT, AGENCY OF TRANSPORTATION

STATE CONTRACT OR REF. NO. BRF-036-1(1)

CONTRACTOR CIANBRO CORPORATION

IN CHARGE: GLIDDEN (IH) MADE BY: JSA CHK'D: DAP DATE: 8-13-04

CONTRACT NUMBER: VT-04057-1,2&3 DRAWING NUMBER: TD1 OF TD4

NOTES:
FOR NOTES, SEE DRAWING WS1.
WORK THIS DRAWING WITH DRAWINGS WS1, WS4, WS5, WS8, WS9 & WS12.
ALL HOLES TO BE 1 5/16" FOR 3/8" H.S. BOLTS (U.N.).

••NOTE••
THE PURPOSE OF THIS DRAWING IS TO COORDINATE GEOMETRIC CONTROL INFORMATION. THIS DRAWING IS SUBMITTED FOR INFORMATION ONLY AND IS NOT INTENDED FOR SHOP FABRICATION. THIS DRAWING IS FOR REFERENCE ONLY, APPROVAL IS NOT REQUIRED.