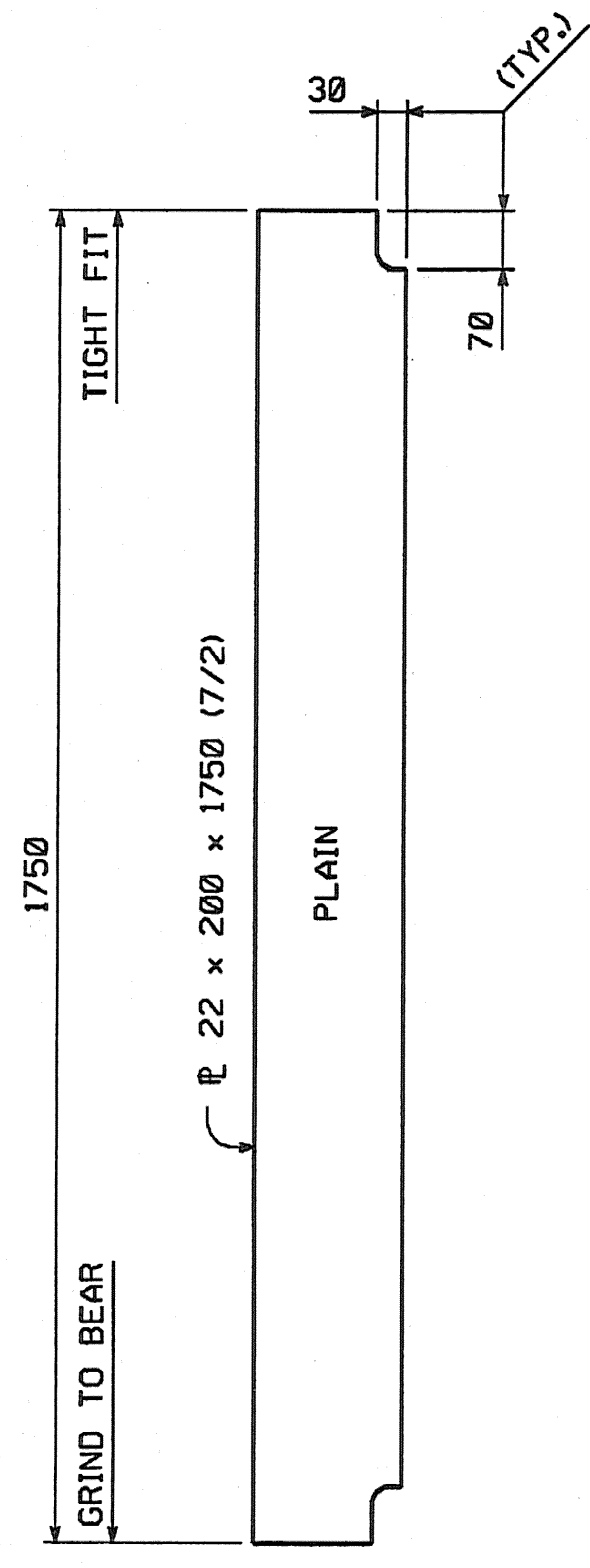


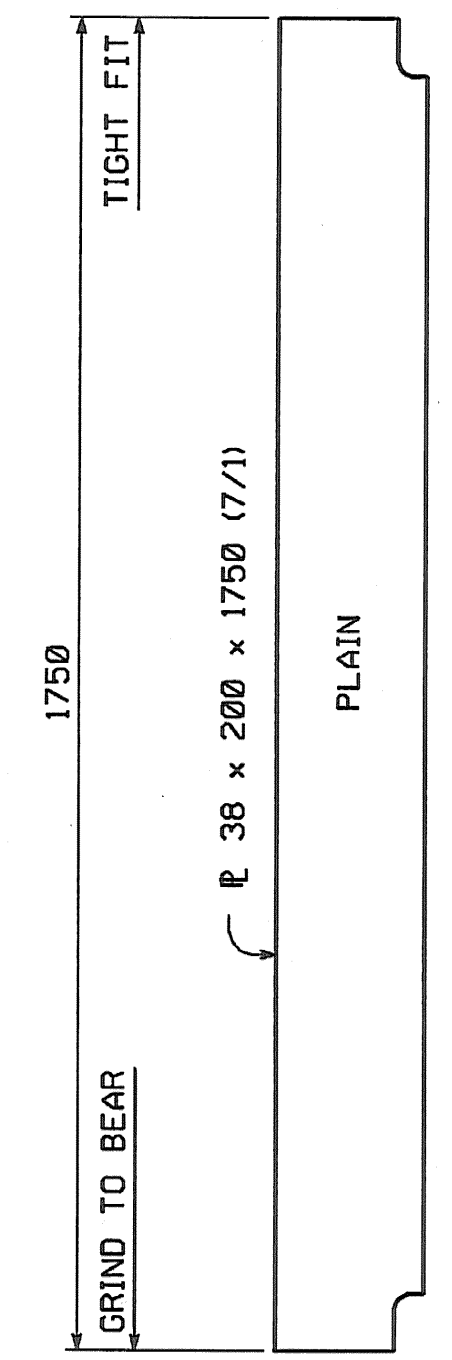
METRIC

METRIC 1. ALL DIMENSIONS ARE IN MILLIMETERS UNLESS OTHERWISE NOTED.
2. ALL WEIGHTS ARE IN KILOGRAMS.

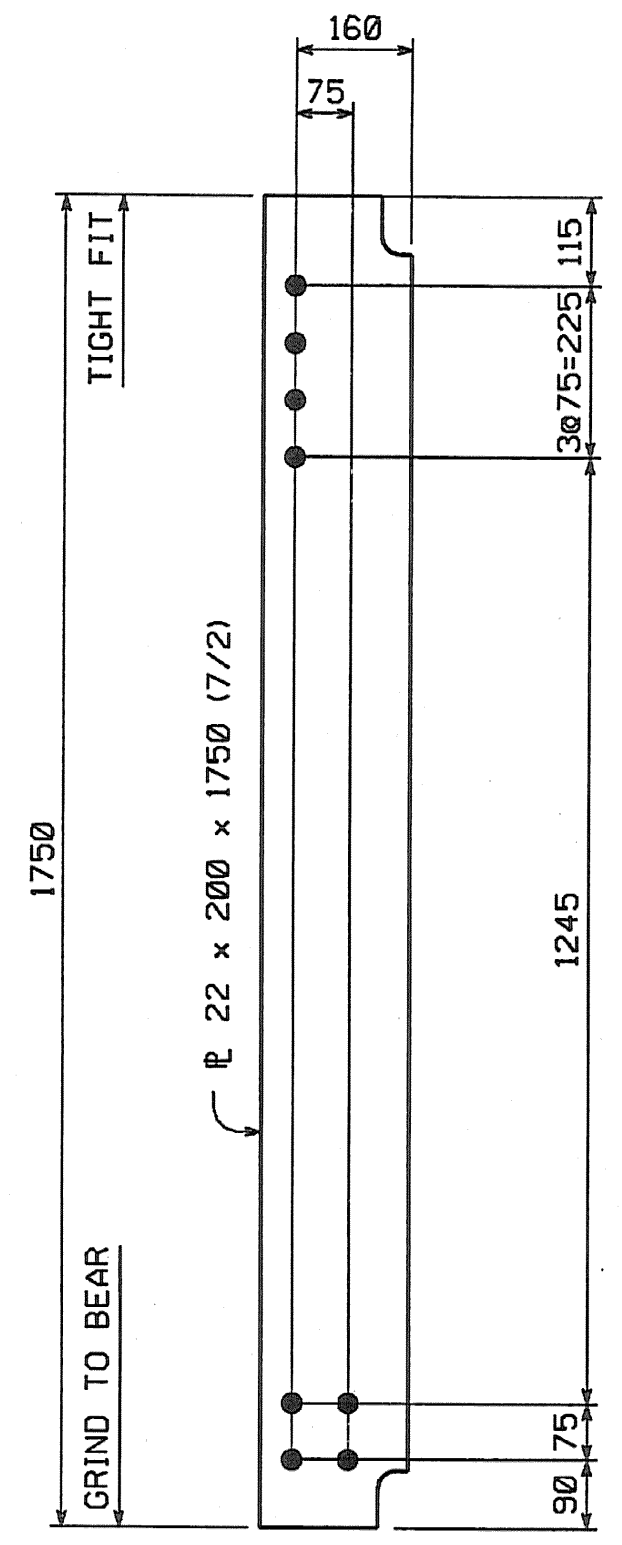
| | | |
|--------------------|-------|--------------------|
| FED. ROAD DIV. NO. | STATE | FED. AID PROJ. NO. |
| | VT | |



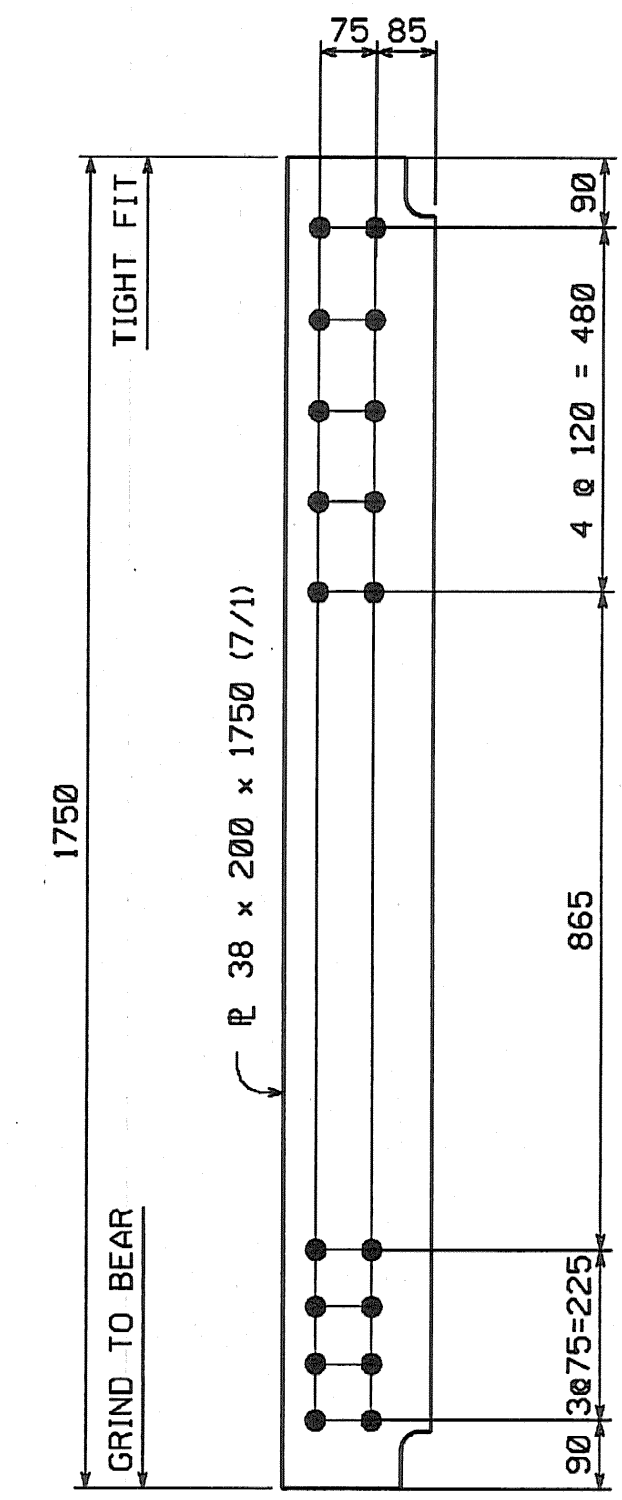
12~BRG. STIFF. MK. x2a (CG)
 4 REQ'D. FOR SHIPMENT 1
 4 REQ'D. FOR SHIPMENT 2
 4 REQ'D. FOR SHIPMENT 3



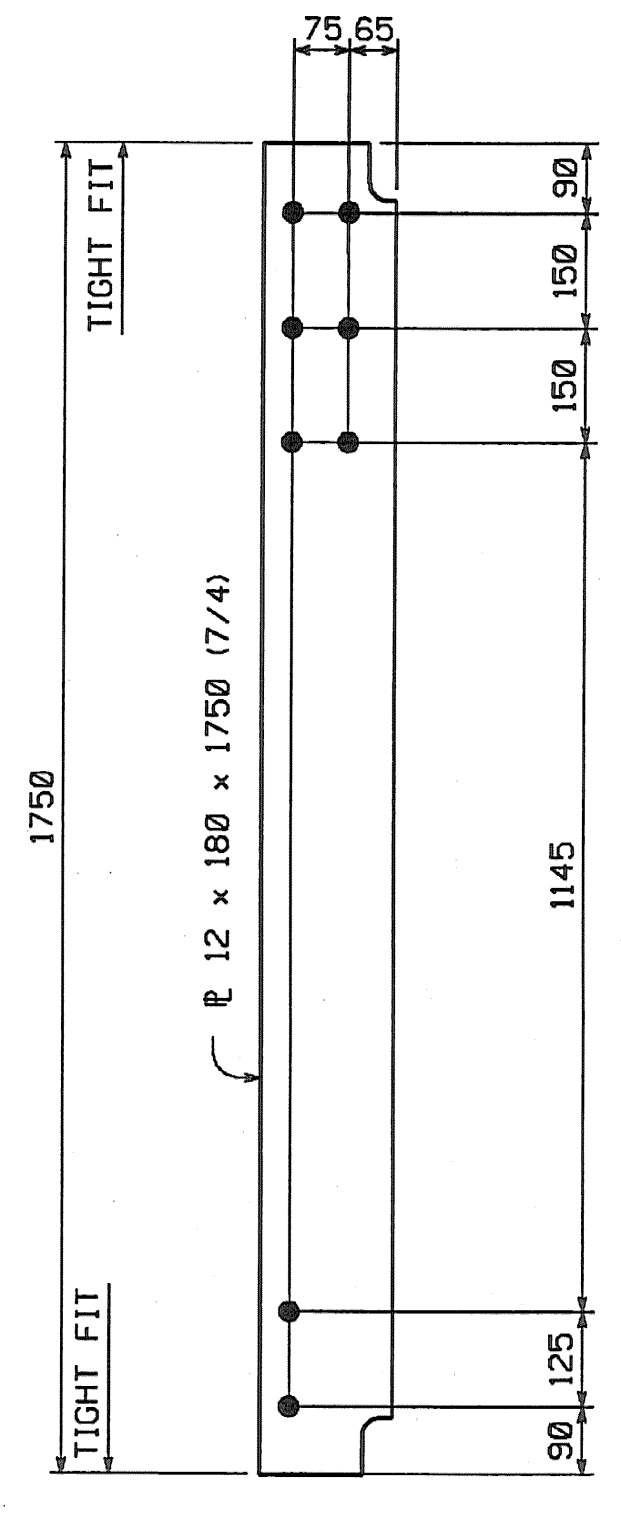
40~BRG. STIFF. MK. x2c
 12 REQ'D. FOR SHIPMENT 1
 14 REQ'D. FOR SHIPMENT 2
 14 REQ'D. FOR SHIPMENT 3



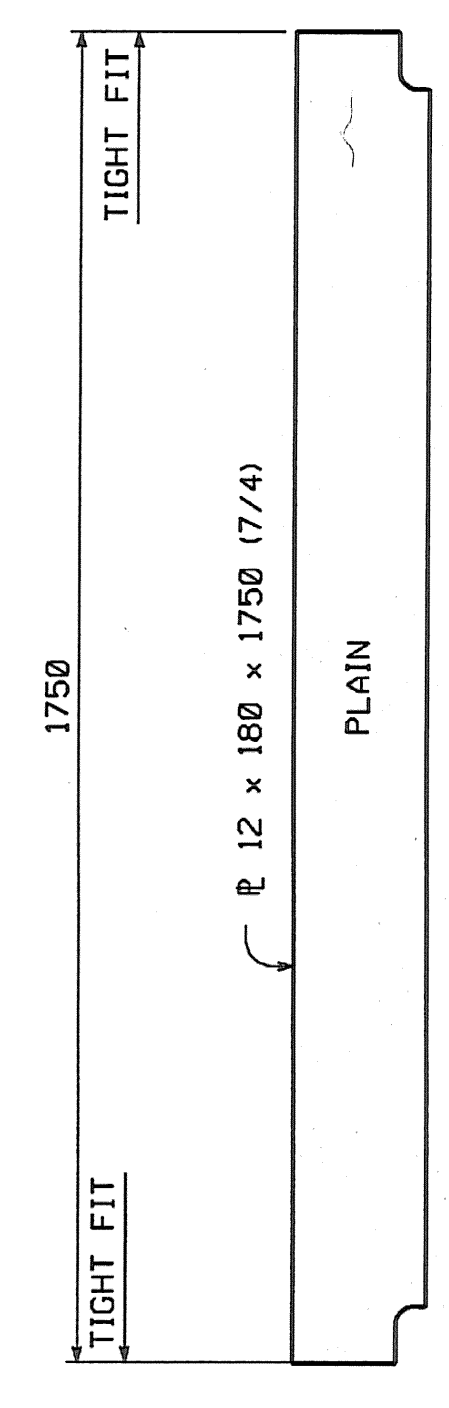
36~BRG. STIFF. MK. x2f (CG)
 12 REQ'D. FOR SHIPMENT 1
 12 REQ'D. FOR SHIPMENT 2
 12 REQ'D. FOR SHIPMENT 3



120~BRG. STIFF. MK. x2g
 36 REQ'D. FOR SHIPMENT 1
 42 REQ'D. FOR SHIPMENT 2
 42 REQ'D. FOR SHIPMENT 3



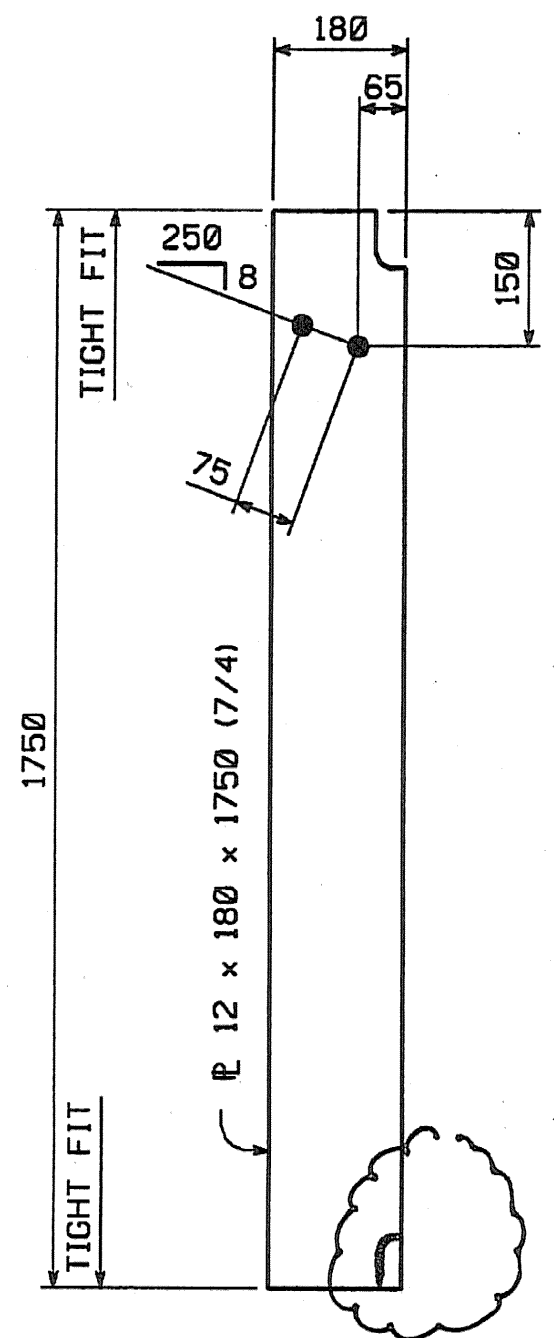
816~CONN. R MK. x2h
 252 REQ'D. FOR SHIPMENT 1
 288 REQ'D. FOR SHIPMENT 2
 276 REQ'D. FOR SHIPMENT 3



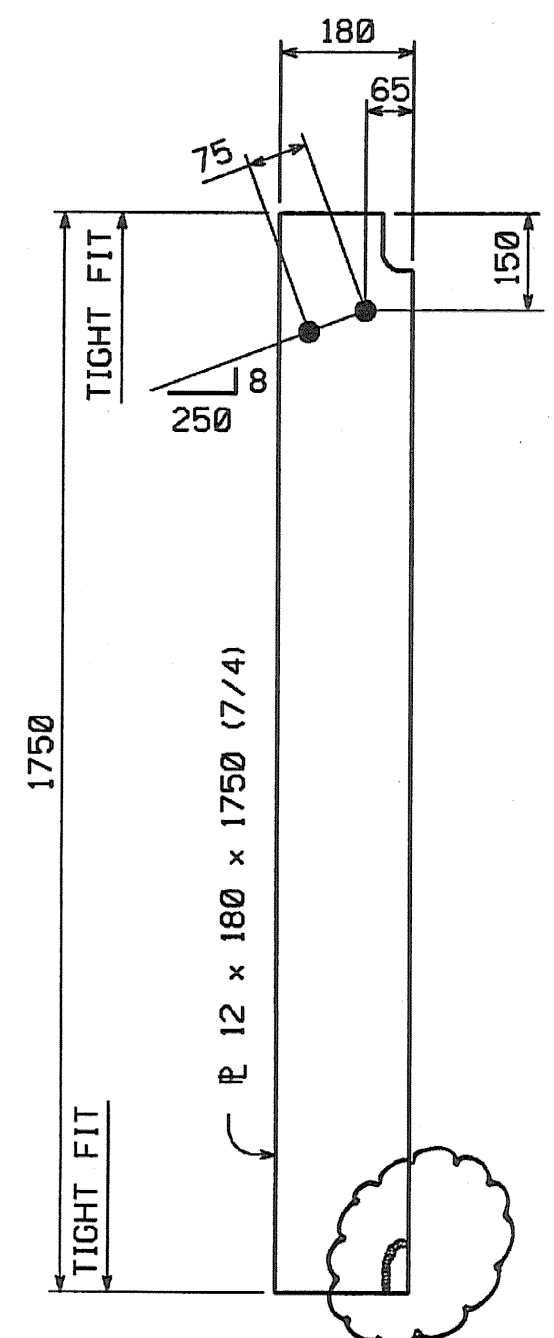
400~INTERM. STIFF. MK. x2m
 120 REQ'D. FOR SHIPMENT 1
 140 REQ'D. FOR SHIPMENT 2
 140 REQ'D. FOR SHIPMENT 3

48~JACKING STIFF. MK. x2b (CG)
 16 REQ'D. FOR SHIPMENT 1
 16 REQ'D. FOR SHIPMENT 2
 16 REQ'D. FOR SHIPMENT 3

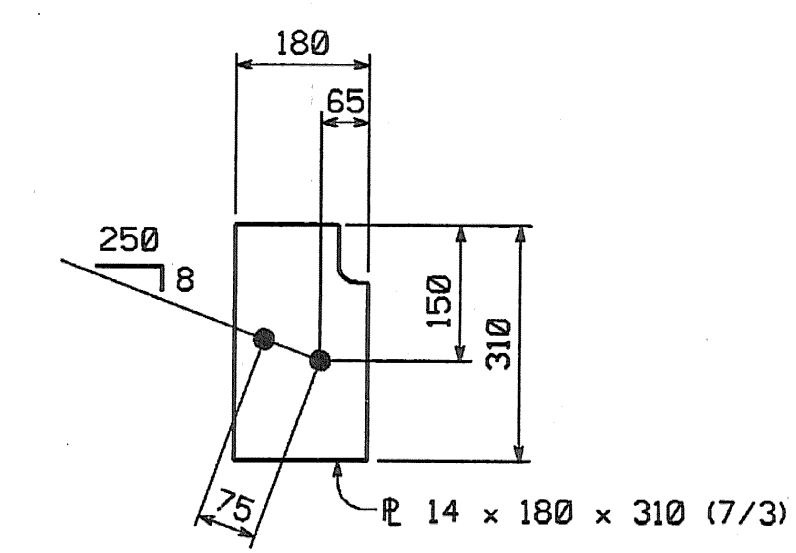
160~JACKING STIFF. MK. x2d
 48 REQ'D. FOR SHIPMENT 1
 56 REQ'D. FOR SHIPMENT 2
 56 REQ'D. FOR SHIPMENT 3



6~CONN. R MK. x2s (CG)
 2 REQ'D. FOR SHIPMENT 1
 2 REQ'D. FOR SHIPMENT 2
 2 REQ'D. FOR SHIPMENT 3

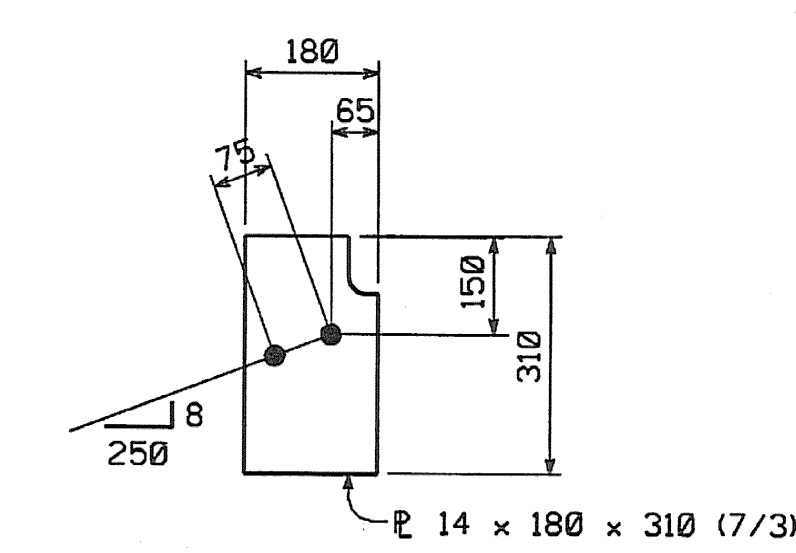


6~CONN. R MK. x2w (CG)
 2 REQ'D. FOR SHIPMENT 1
 2 REQ'D. FOR SHIPMENT 2
 2 REQ'D. FOR SHIPMENT 3



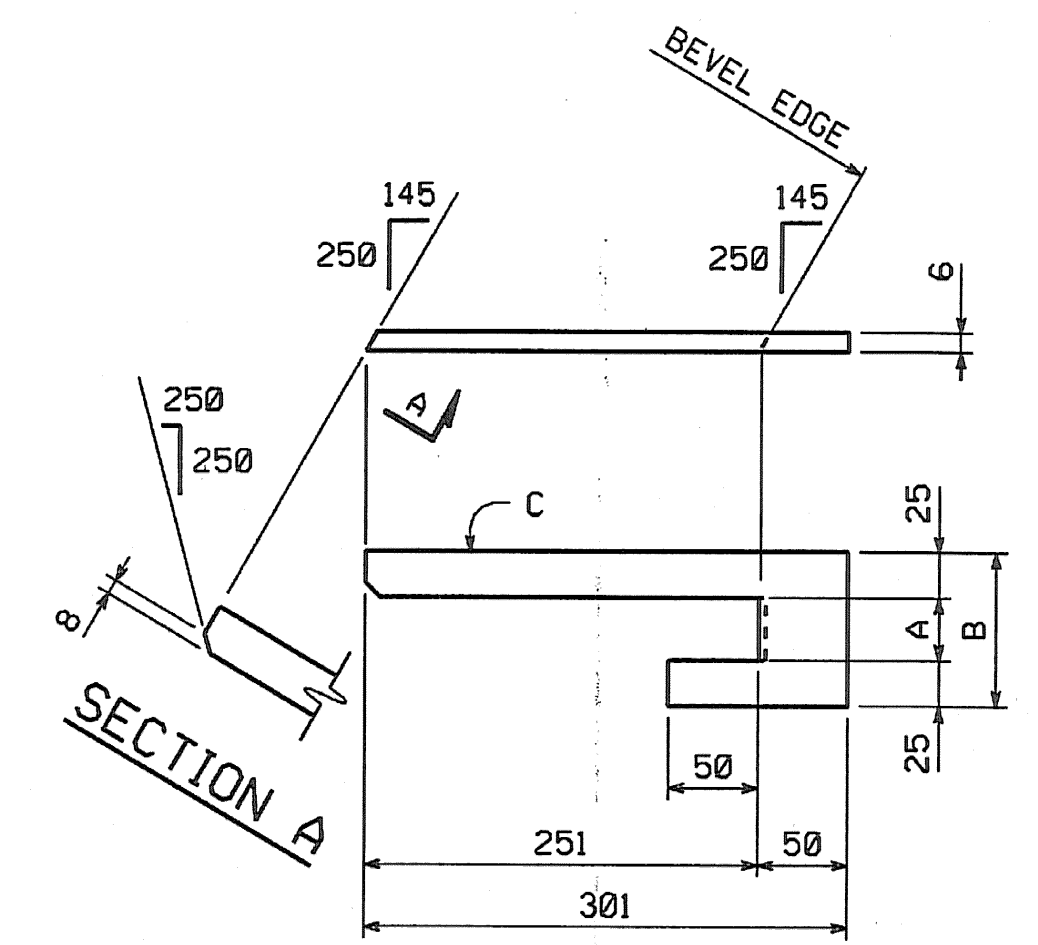
114~CONN. R MK. x2p
 35 REQ'D. FOR SHIPMENT 1
 40 REQ'D. FOR SHIPMENT 2
 39 REQ'D. FOR SHIPMENT 3

ONE~CONN. R MK. x2an (CG)
 SHIPMENT 3



114~CONN. R MK. x2t
 35 REQ'D. FOR SHIPMENT 1
 40 REQ'D. FOR SHIPMENT 2
 39 REQ'D. FOR SHIPMENT 3

ONE~CONN. R MK. x2am (CG)
 SHIPMENT 3



| MARK | REQ'D | SHIP. 1 | SHIP. 2 | SHIP. 3 | A | B | C | REMARKS | REMARKS |
|------|-------|---------|---------|---------|----|-----|-----------------------|-----------|---------|
| x2aa | 12 | 5 | 2 | 5 | 40 | 90 | R 6 x 90 x 301 (7/5) | AS SHOWN | (CG) |
| x2ab | 12 | 5 | 2 | 5 | 40 | 90 | R 6 x 90 x 301 (7/5) | OPP. HAND | (CG) |
| x2ac | 14 | 4 | 5 | 5 | 65 | 115 | R 6 x 115 x 301 (7/5) | AS SHOWN | -- |
| x2ad | 14 | 4 | 5 | 5 | 65 | 115 | R 6 x 115 x 301 (7/5) | OPP. HAND | -- |
| x2af | 6 | 2 | 2 | 2 | 80 | 130 | R 6 x 130 x 301 (7/5) | AS SHOWN | -- |
| x2ag | 6 | 2 | 2 | 2 | 80 | 130 | R 6 x 130 x 301 (7/5) | OPP. HAND | -- |

SHOP NOTE
 HOLES: 1/8" R
 BOLTS: NONE
 PAINT: NONE
 DOR INDICATES DIRECTION OF ROLLING
 FOR GENERAL SHOP NOTES, SEE DWG. GNL.

SHOP DRAWING REVIEW

REVIEWED AS REQUIRED BY THE CONSTRUCTION CONTRACT DOCUMENTS AND APPROVED, BUT ONLY FOR CONFORMANCE TO THE DESIGN CONCEPT OF THE WORK, AND SUBJECT TO FURTHER LIMITATIONS AND REQUIREMENTS CONTAINED IN THE CONSTRUCTION CONTRACT DOCUMENTS.

REJECTED REVISE AND RESUBMIT FURNISH AS CORRECTED

CORRECTIONS OR COMMENTS MADE ON THE SHOP DRAWINGS DURING THIS REVIEW DO NOT RELIEVE CONTRACTOR FROM COMPLIANCE WITH REQUIREMENTS OF THE DRAWINGS AND SPECIFICATIONS. THIS CHECK IS ONLY FOR REVIEW OF GENERAL CONFORMANCE WITH THE DESIGN CONCEPT OF THE PROJECT AND GENERAL COMPLIANCE WITH THE INFORMATION GIVEN IN THE CONTRACT DOCUMENTS. THE CONTRACTOR IS RESPONSIBLE FOR CORRECTING AND CORRELATING ALL QUANTITIES AND DIMENSIONS, SELECTING FABRICATION PROCESSES AND TECHNIQUES OF CONSTRUCTION, COORDINATING HIS WORK WITH THAT OF ALL OTHER TRADES, AND PERFORMING HIS WORK IN A SAFE AND SATISFACTORY MANNER.

VHIB Verrasse Hangen Erwin, Inc.
 Engineers, Planners, and Scientists
 Six Bedford Farms, Irlton Rd.
 Bedford, NH 03112 603 844 0888

Job Number: 50811
 Reviewed By: *STH*
 Date: 11/8/04

NOTE: (CG) INDICATES CORNER GRINDING IS REQUIRED.
 CORNER GRINDING IS NOT REQUIRED FOR MATERIAL ON THIS DRAWING UNLESS NOTED (CG).

| | | | |
|-----|----------|----|------|
| NO. | REVISION | BY | DATE |
| | | | |

HIGH STEEL STRUCTURES, INC.

1770 Hempstead Road
 Lancaster, PA 17605-0008
 Phone 717/299-5211

A Division of High Industries, Inc.

GIRDER JOB STANDARDS
 VT 78 OVER MISSISQUOI BAY, BRIDGE NO. 2
 VT 78 STA.10+970.425 TO STA.12+059.775
 TOWNS OF ALBURG AND SWANTON
 COUNTIES OF GRAND ISLE AND FRANKLIN
 STATE OF VERMONT, AGENCY OF TRANSPORTATION

STATE CONTRACT OR REF. NO. BRF-036-1(1)
 CONTRACTOR: CIAMBRO CORPORATION
 IN CHARGE: GLIDDEN (IH) MADE BY: SSA CHK'D. BY: CS DATE: 8-11-04
 CONTRACT NUMBER: VT-04057-1,2&3 DRAWING NUMBER: X2 OF X2

BY: dpointer
 PLOTTED: 8/23/2004 12:34:59 PM