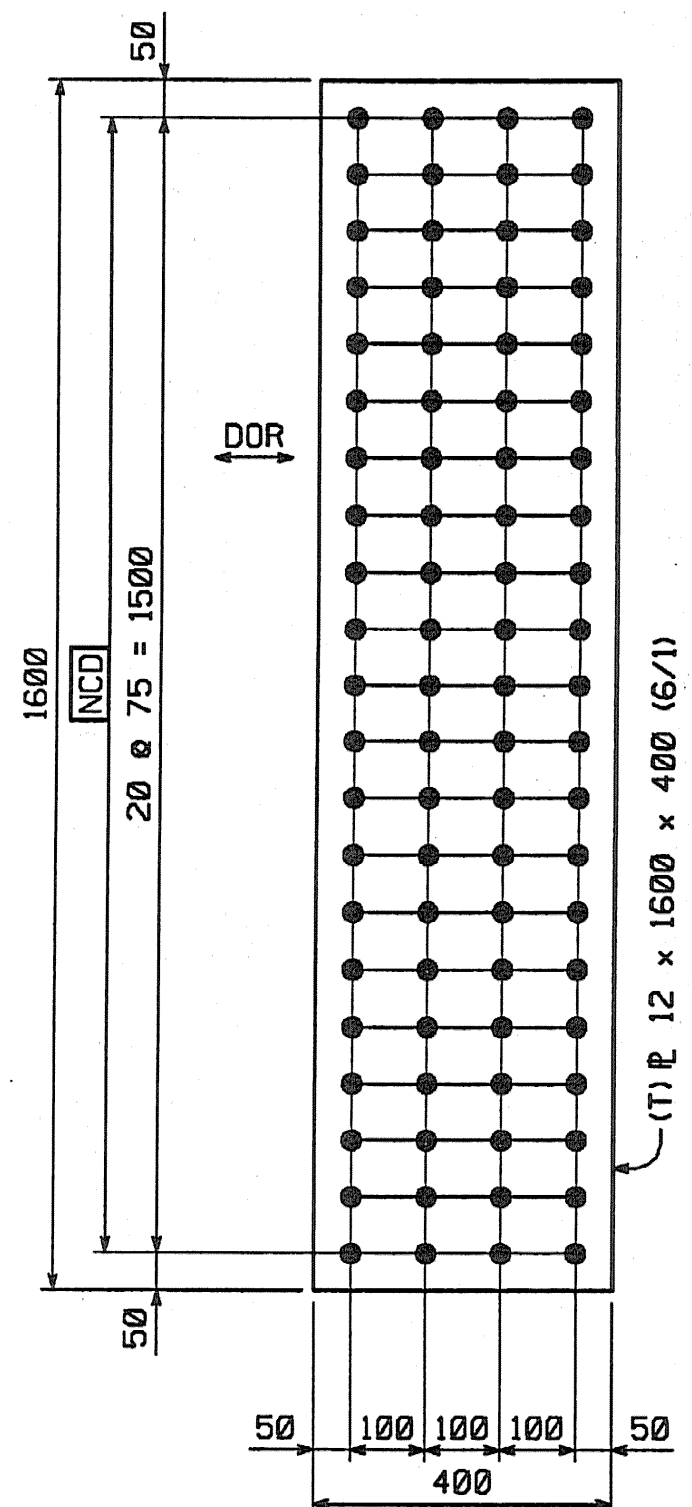


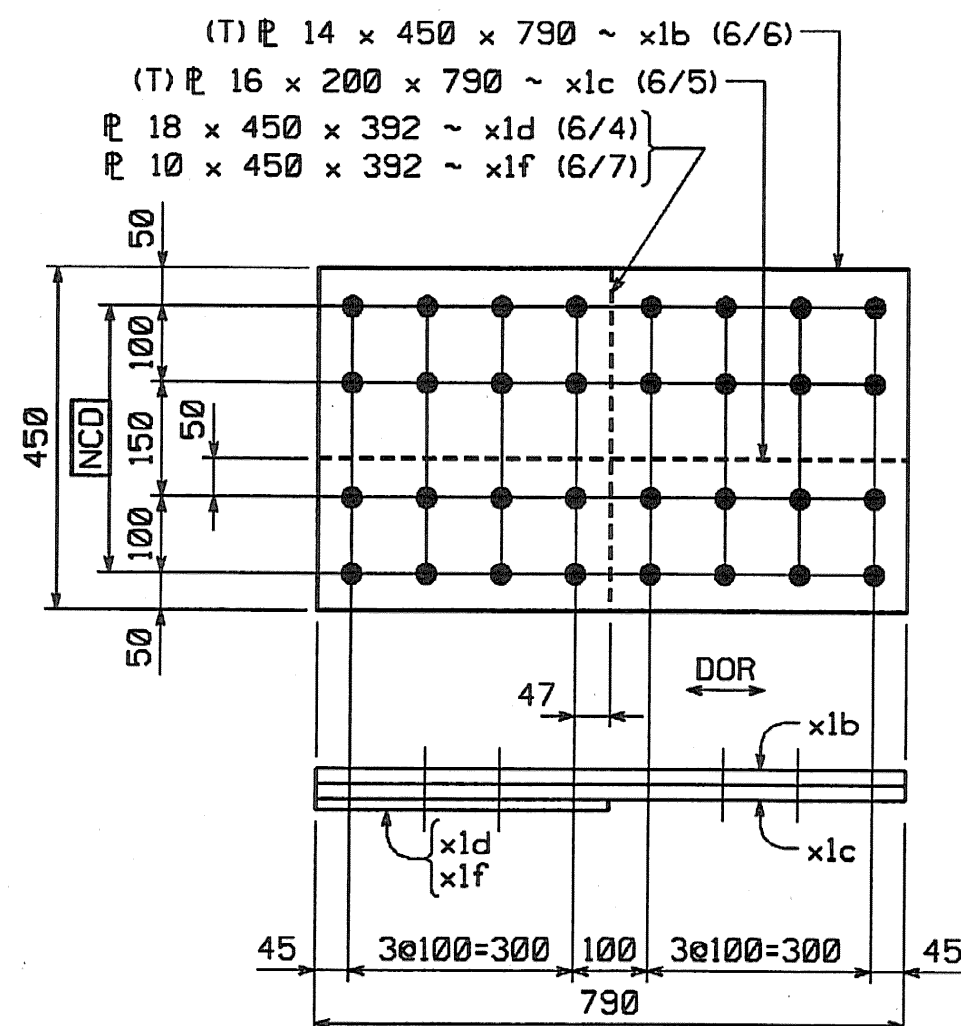
METRIC 1. ALL DIMENSIONS ARE IN MILLIMETERS UNLESS OTHERWISE NOTED.
2. ALL WEIGHTS ARE IN KILOGRAMS.

FED. ROAD DIV. NO.	STATE	FED. AID PROJ. NO.
	VT	



184~SPlice P MK. x1a

- 56 REQ'D. FOR SHIPMENT 1
- 64 REQ'D. FOR SHIPMENT 2
- 64 REQ'D. FOR SHIPMENT 3



80~SPlice P MK. x1b

- 24 REQ'D. FOR SHIPMENT 1
- 28 REQ'D. FOR SHIPMENT 2
- 28 REQ'D. FOR SHIPMENT 3

160~SPlice P MK. x1c

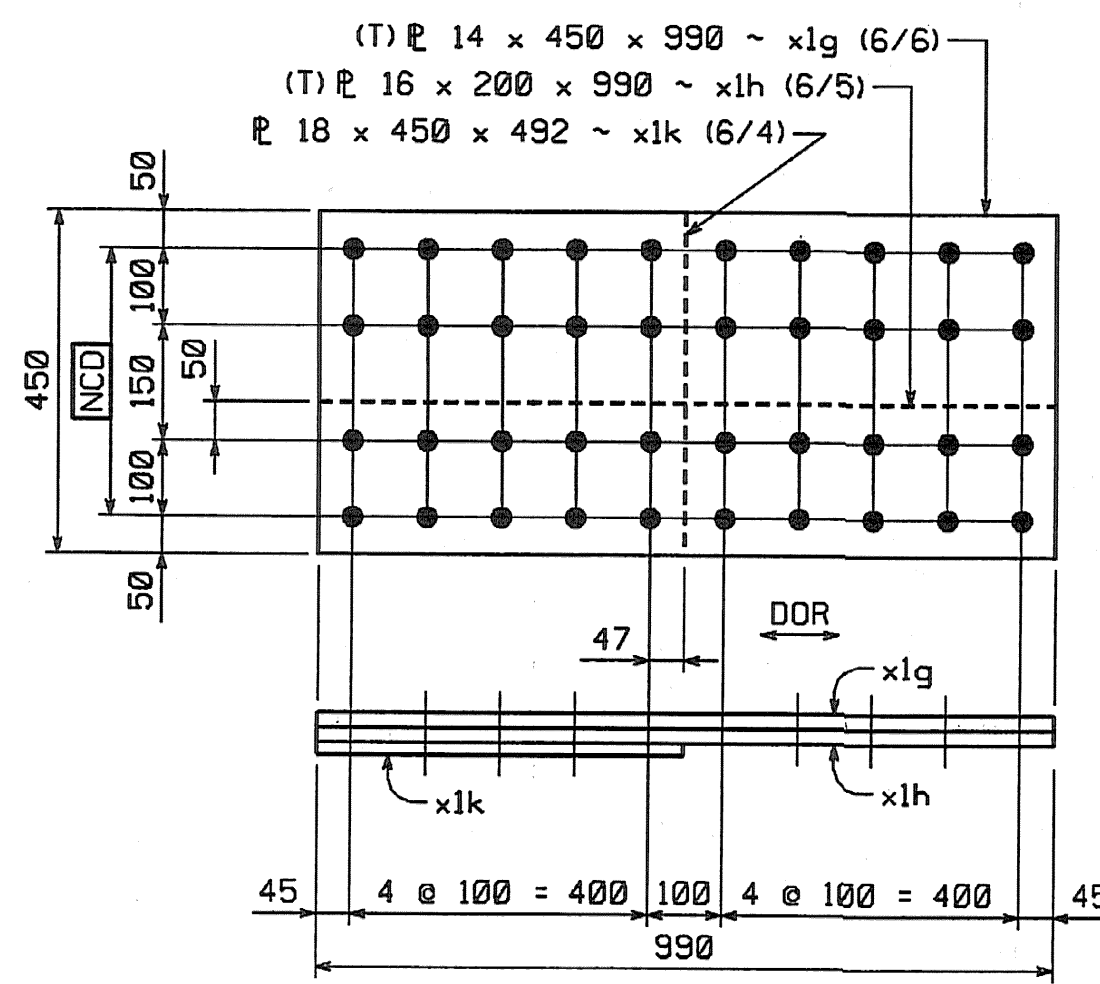
- 48 REQ'D. FOR SHIPMENT 1
- 56 REQ'D. FOR SHIPMENT 2
- 56 REQ'D. FOR SHIPMENT 3

24~FILL P MK. x1d

- 8 REQ'D. FOR SHIPMENT 1
- 8 REQ'D. FOR SHIPMENT 2
- 8 REQ'D. FOR SHIPMENT 3

56~FILL P MK. x1f

- 16 REQ'D. FOR SHIPMENT 1
- 20 REQ'D. FOR SHIPMENT 2
- 20 REQ'D. FOR SHIPMENT 3



12~SPlice P MK. x1g

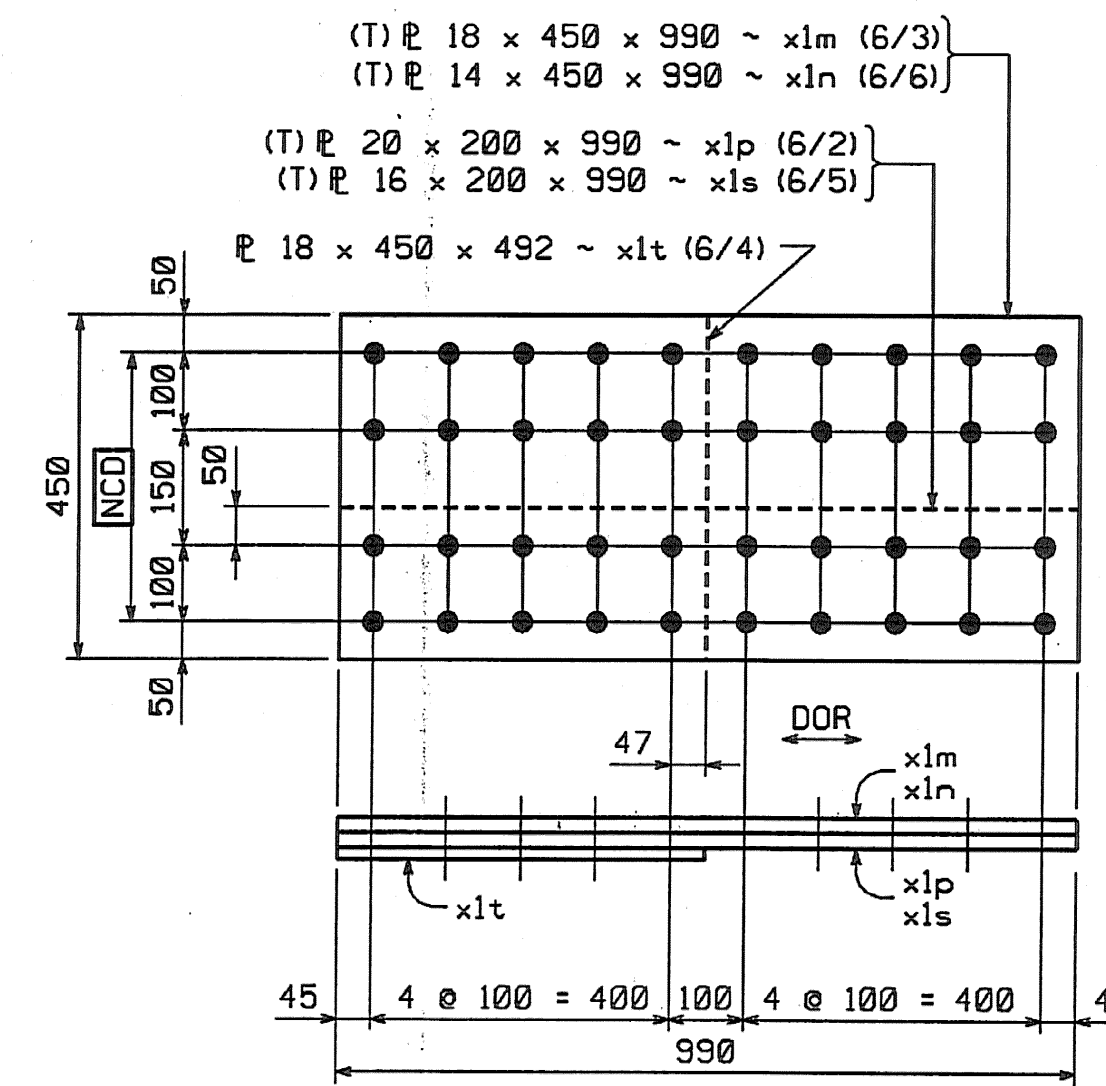
- 4 REQ'D. FOR SHIPMENT 1
- 4 REQ'D. FOR SHIPMENT 2
- 4 REQ'D. FOR SHIPMENT 3

24~SPlice P MK. x1h

- 8 REQ'D. FOR SHIPMENT 1
- 8 REQ'D. FOR SHIPMENT 2
- 8 REQ'D. FOR SHIPMENT 3

12~FILL P MK. x1k

- 4 REQ'D. FOR SHIPMENT 1
- 4 REQ'D. FOR SHIPMENT 2
- 4 REQ'D. FOR SHIPMENT 3



24~SPlice P MK. x1m

- 8 REQ'D. FOR SHIPMENT 1
- 8 REQ'D. FOR SHIPMENT 2
- 8 REQ'D. FOR SHIPMENT 3

12~SPlice P MK. x1n

- 4 REQ'D. FOR SHIPMENT 1
- 4 REQ'D. FOR SHIPMENT 2
- 4 REQ'D. FOR SHIPMENT 3

48~SPlice P MK. x1p

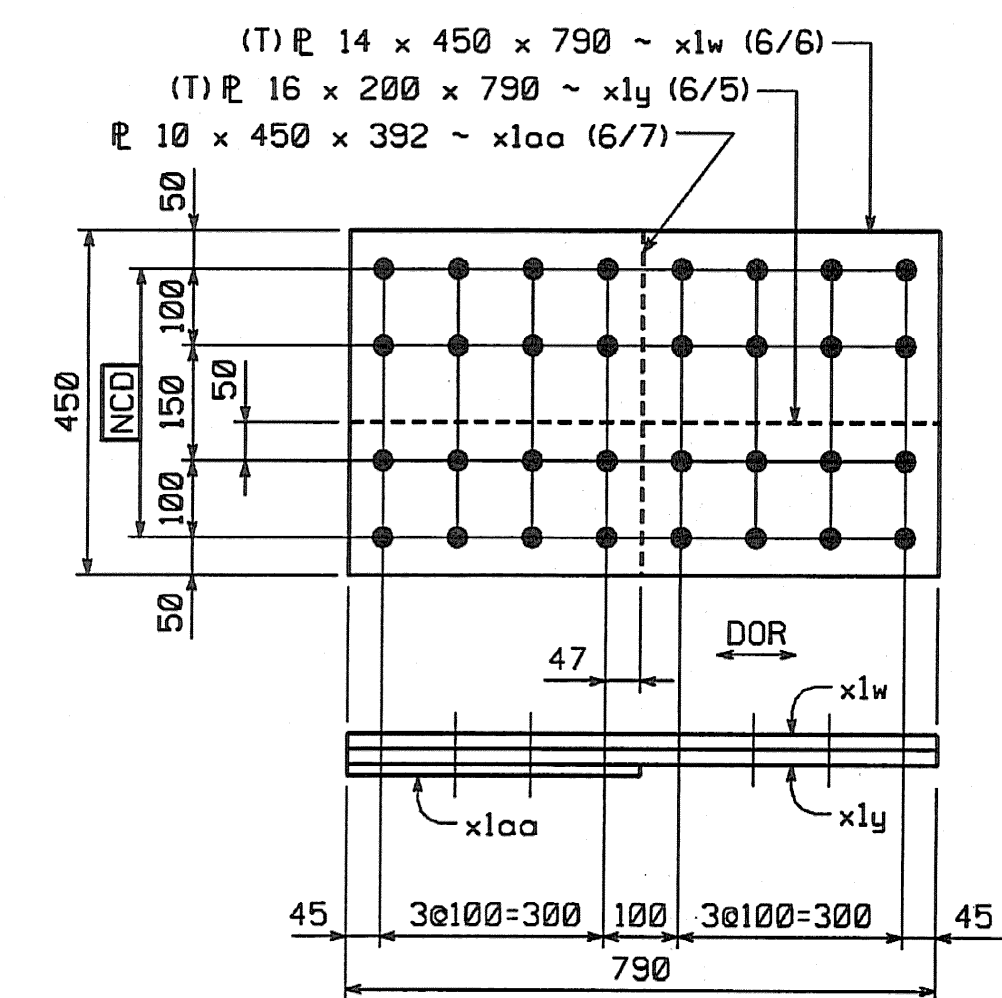
- 16 REQ'D. FOR SHIPMENT 1
- 16 REQ'D. FOR SHIPMENT 2
- 16 REQ'D. FOR SHIPMENT 3

24~SPlice P MK. x1s

- 8 REQ'D. FOR SHIPMENT 1
- 8 REQ'D. FOR SHIPMENT 2
- 8 REQ'D. FOR SHIPMENT 3

12~FILL P MK. x1t

- 4 REQ'D. FOR SHIPMENT 1
- 4 REQ'D. FOR SHIPMENT 2
- 4 REQ'D. FOR SHIPMENT 3



56~SPlice P MK. x1w

- 16 REQ'D. FOR SHIPMENT 1
- 20 REQ'D. FOR SHIPMENT 2
- 20 REQ'D. FOR SHIPMENT 3

112~SPlice P MK. x1y

- 32 REQ'D. FOR SHIPMENT 1
- 40 REQ'D. FOR SHIPMENT 2
- 40 REQ'D. FOR SHIPMENT 3

56~FILL P MK. x1aa

- 16 REQ'D. FOR SHIPMENT 1
- 20 REQ'D. FOR SHIPMENT 2
- 20 REQ'D. FOR SHIPMENT 3

NOTE: CORNER GRINDING IS REQUIRED FOR ALL MATERIAL ON THIS SHEET.

SHOP NOTE

HOLES: 1/16"

BOLTS: NONE

PAINT: NONE

DOR INDICATES DIRECTION OF ROLLING
FOR GENERAL SHOP NOTES, SEE DWG. GNI.

SHOP DRAWING REVIEW	
<input checked="" type="checkbox"/> REVIEWED AS REQUIRED BY THE CONSTRUCTION CONTRACT DOCUMENTS AND APPROVED, BUT ONLY FOR CONFORMANCE TO THE DESIGN CONCEPT OF THE WORK, AND SUBJECT TO FURTHER LIMITATIONS AND REQUIREMENTS CONTAINED IN THE CONSTRUCTION CONTRACT DOCUMENTS.	
<input type="checkbox"/> REJECTED	<input type="checkbox"/> REVISE AND RESUBMIT
<input type="checkbox"/> FURNISH AS CORRECTED	
<small> CORRECTIONS OR COMMENTS MADE ON THE SHOP DRAWINGS DURING THE REVIEW DO NOT RELIEVE CONTRACTOR FROM COMPLIANCE WITH REQUIREMENTS OF THE DRAWINGS AND SPECIFICATIONS. THIS CHECK IS ONLY FOR REVIEW OF GENERAL CONFORMANCE WITH THE DESIGN CONCEPT OF THE PROJECT AND GENERAL COMPLIANCE WITH THE SPECIFICATIONS GIVEN IN THE CONTRACT DOCUMENTS. THE CONTRACTOR IS RESPONSIBLE FOR CONTINUING AND CORRECTING ALL QUANTITIES AND DIMENSIONS, SELECTING FABRICATION PROCESSES AND TECHNIQUES OF CONSTRUCTION, COORDINATING HIS WORK WITH THAT OF ALL OTHER TRADES, AND PERFORMING HIS WORK IN A SAFE AND SATISFACTORY MANNER. </small>	
VHIB <small> Vannesse Hanger Brattlin, Inc. Engineers, Planners, and Scientists 816 Bedford Farms, Kilauea Rd. Bedford, NH 03102, 603.644.0888 </small>	Job Number: <u>50011</u> Reviewed By: <u>SMH</u> Date: <u>JUL 10 2004</u>

NO.	REVISION	BY	DATE

HIGH STEEL STRUCTURES, INC.
 1770 Hemstead Road
 Lancaster, PA 17605-0008
 Phone 717/299-5211
 A Division of High Industries, Inc.

GIRDER JOB STANDARDS
 VT 78 OVER MISSISQUOI BAY, BRIDGE NO. 2
 VT 78 STA.10+970.425 TO STA.12+059.775
 TOWNS OF ALBURG AND SWANTON
 COUNTIES OF GRAND ISLE AND FRANKLIN
 STATE OF VERMONT, AGENCY OF TRANSPORTATION

STATE CONTRACT OR REF. NO. BRF-036-1(1)
 CONTRACTOR CIAMBRO CORPORATION
 IN CHARGE: GLIDDEN (IH) MADE BY: SSL CHK'D. BY: CS DATE: 8-11-04
 CONTRACT NUMBER: VT-04057-1,2&3 DRAWING NUMBER: X1 OF X2

CODE:30