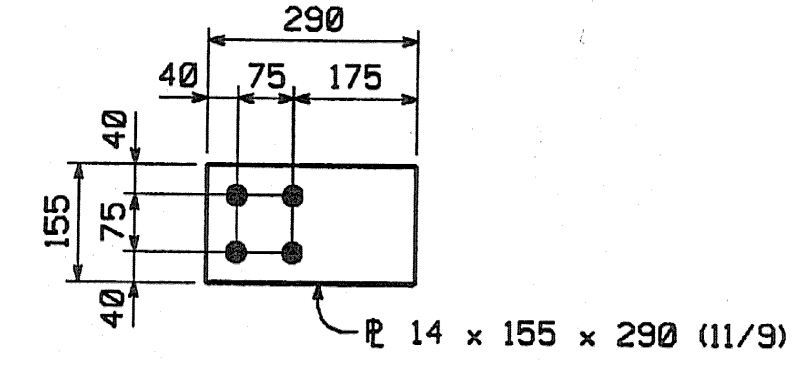


METRIC

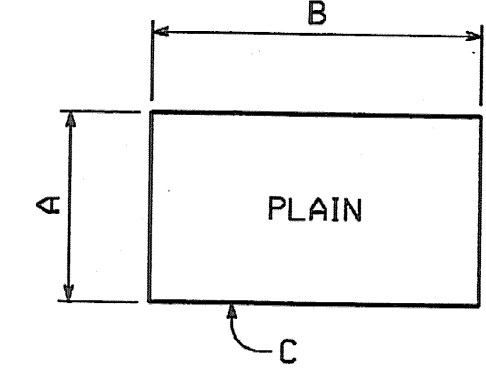
METRIC 1. ALL DIMENSIONS ARE IN MILLIMETERS UNLESS OTHERWISE NOTED.  
2. ALL WEIGHTS ARE IN KILOGRAMS.

FED. ROAD DIV. NO.	STATE	FED. AID PROJ. NO.
	VT	



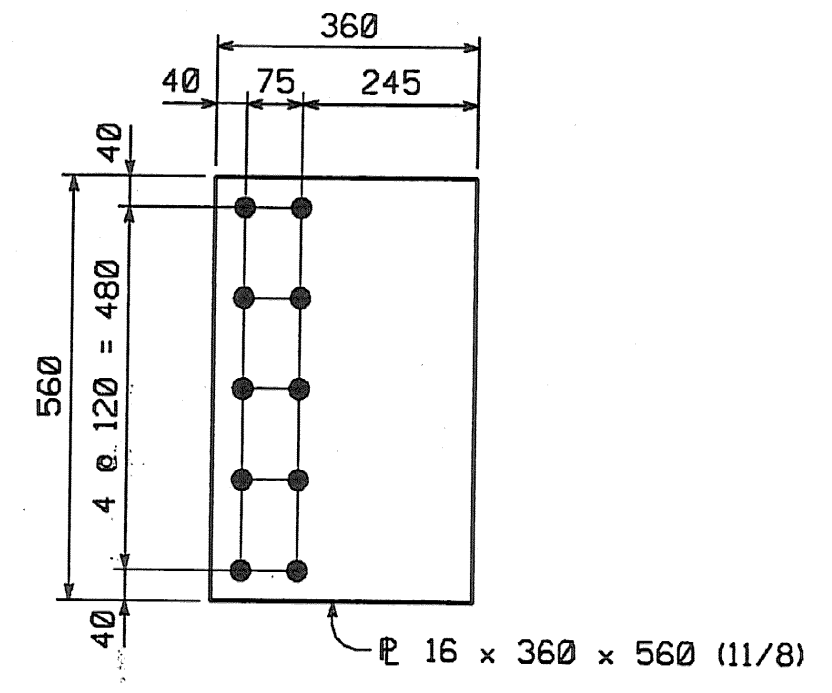
36~GUSSET P MK. m1a (CG)

12 ~ SHIPMENT 1  
12 ~ SHIPMENT 2  
12 ~ SHIPMENT 3



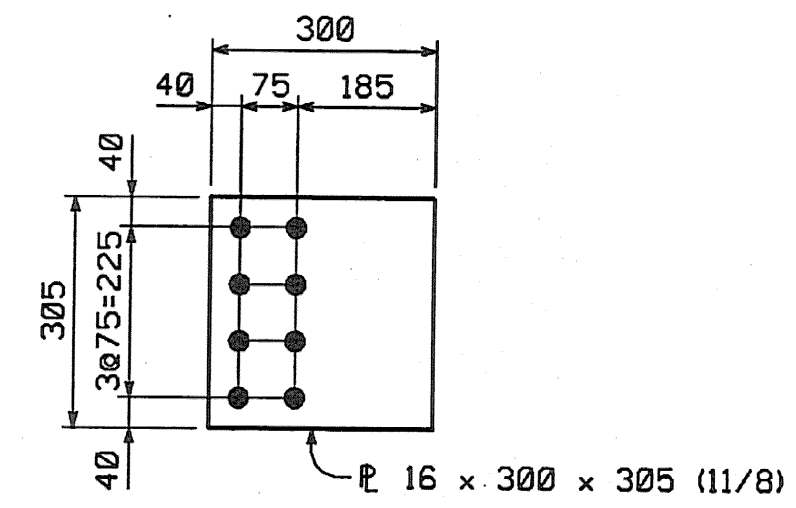
GUSSET P

MARK	TOTAL REQ'D.	REQ'D. SHIP. 1	REQ'D. SHIP. 2	REQ'D. SHIP. 3	A	B	C	REMARKS
m1b	18	6	6	6	250	450	P 14 x 250 x 450 (11/9)	(CG)
m1c	36	12	12	12	150	230	P 14 x 150 x 230 (11/9)	(CG)
m1g	60	18	21	21	320	650	P 16 x 320 x 650 (11/8)	--
m1m	6	--	--	6	260	470	P 14 x 260 x 470 (11/9)	(CG)
m1s	408	126	144	138	260	470	P 14 x 260 x 470 (11/9)	--



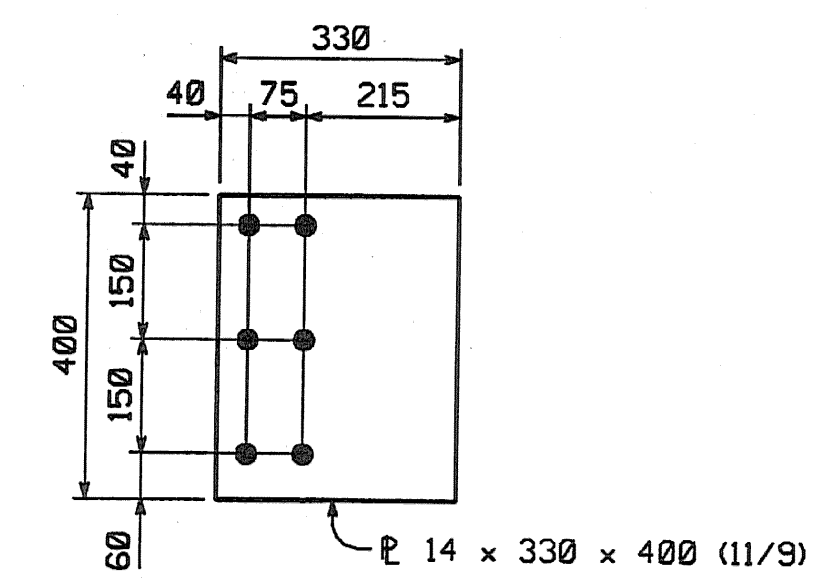
120~GUSSET P MK. m1d

36 ~ SHIPMENT 1  
42 ~ SHIPMENT 2  
42 ~ SHIPMENT 3



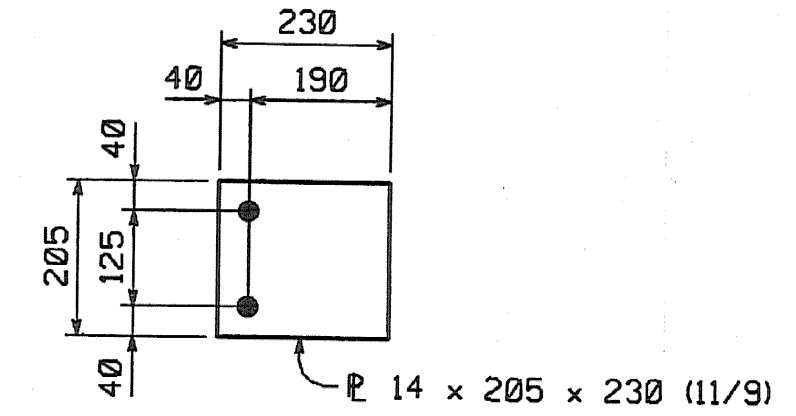
120~GUSSET P MK. m1f

36 ~ SHIPMENT 1  
42 ~ SHIPMENT 2  
42 ~ SHIPMENT 3



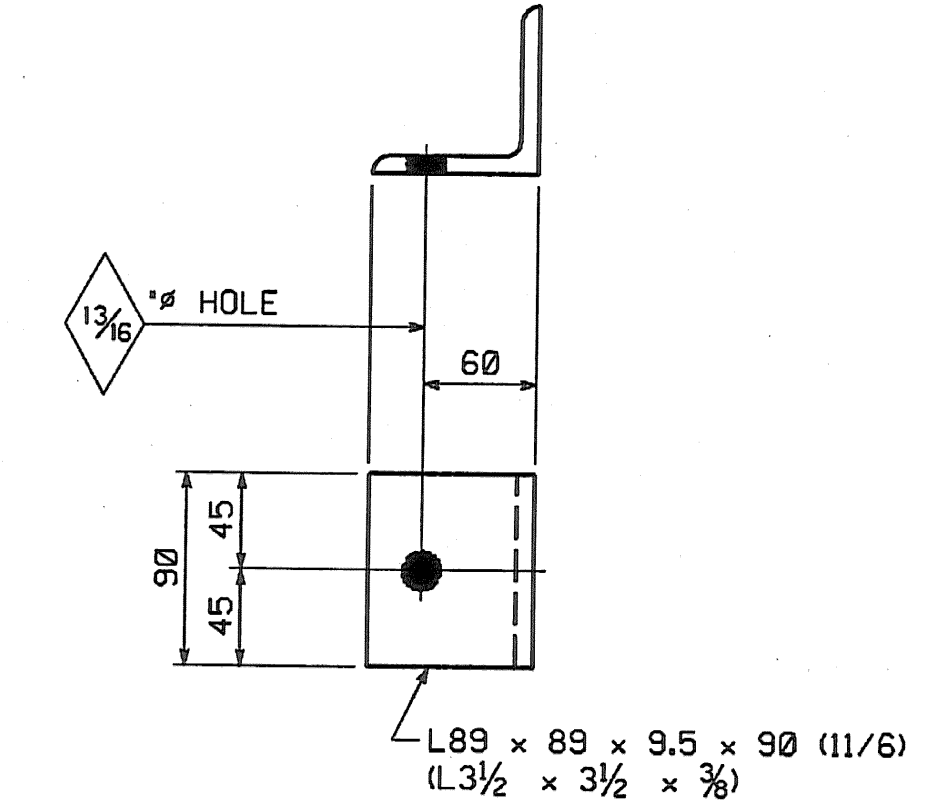
GUSSET P

MARK	TOTAL REQ'D.	REQ'D. SHIP. 1	REQ'D. SHIP. 2	REQ'D. SHIP. 3	REMARKS
m1h	12	--	--	12	(CG)
m1n	816	252	288	276	--



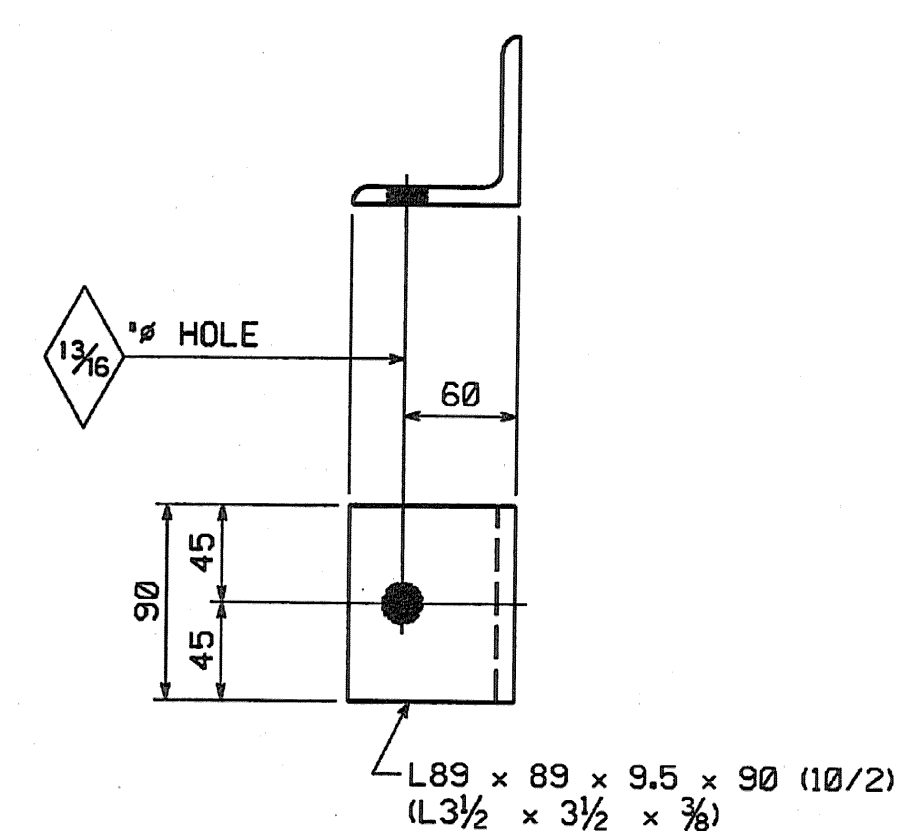
GUSSET P

MARK	TOTAL REQ'D.	REQ'D. SHIP. 1	REQ'D. SHIP. 2	REQ'D. SHIP. 3	REMARKS
m1k	12	--	--	12	(CG)
m1p	816	252	288	276	--



CONN. ANGLE

MARK	TOTAL REQ'D.	REQ'D. SHIP. 1	REQ'D. SHIP. 2	REQ'D. SHIP. 3	REMARKS
m1t	312	96	110	106	--
m1w	4	--	--	4	(CG)



CONN. ANGLE

MARK	TOTAL REQ'D.	REQ'D. SHIP. 1	REQ'D. SHIP. 2	REQ'D. SHIP. 3	REMARKS
m1y	14	4	4	6	(CG)
m1aa	308	94	108	106	--

**SHOP DRAWING REVIEW**

Approved as shown by the contractor's competent technicians and approved for use on the project by the design engineer. The contractor shall be responsible for the accuracy of the information and dimensions shown on this drawing. The contractor shall be responsible for the accuracy of the information and dimensions shown on this drawing. The contractor shall be responsible for the accuracy of the information and dimensions shown on this drawing.

Reviewed By: *[Signature]*  
Date: *[Date]*

**SHOP NOTE**

**HOLES:** 13/16" (U.N.)

**BOLTS:** NONE

**PAINT:** NONE

FOR GENERAL SHOP NOTES, SEE DWG. GNI.  
NOTE: (CG) INDICATES CORNER GRINDING IS REQUIRED.  
CORNER GRINDING IS NOT REQUIRED FOR MATERIAL ON THIS DRAWING UNLESS NOTED (CG).

NO.	REVISION	BY	DATE

1770 Hempstead Road  
Lancaster, PA 17605-0008  
Phone 717/299-5211

**HIGH STEEL STRUCTURES, INC.**

A Division of High Industries, Inc.

MISCELLANEOUS JOB STANDARDS  
VT 78 OVER MISSISQUOI BAY, BRIDGE NO. 2  
VT 78 STA.10+970.425 TO STA.12+059.775  
TOWNS OF ALBURG AND SWANTON  
COUNTIES OF GRAND ISLE AND FRANKLIN  
STATE OF VERMONT, AGENCY OF TRANSPORTATION

CONTRACT OR REF. NO. BRF-036-1(1)  
CONTRACTOR CIANBRO CORPORATION  
IN CHARGE: GLIDDEN (IH) MADE BY: ERS CHK'D. BY: JSA DATE: 8-23-04  
CONTRACT NUMBER: VT-04057-1,2&3 DRAWING NUMBER: M1 OF M1

CODE:63 (U.N.56)

Plotted: 09/26/2004 09:15:00 AM