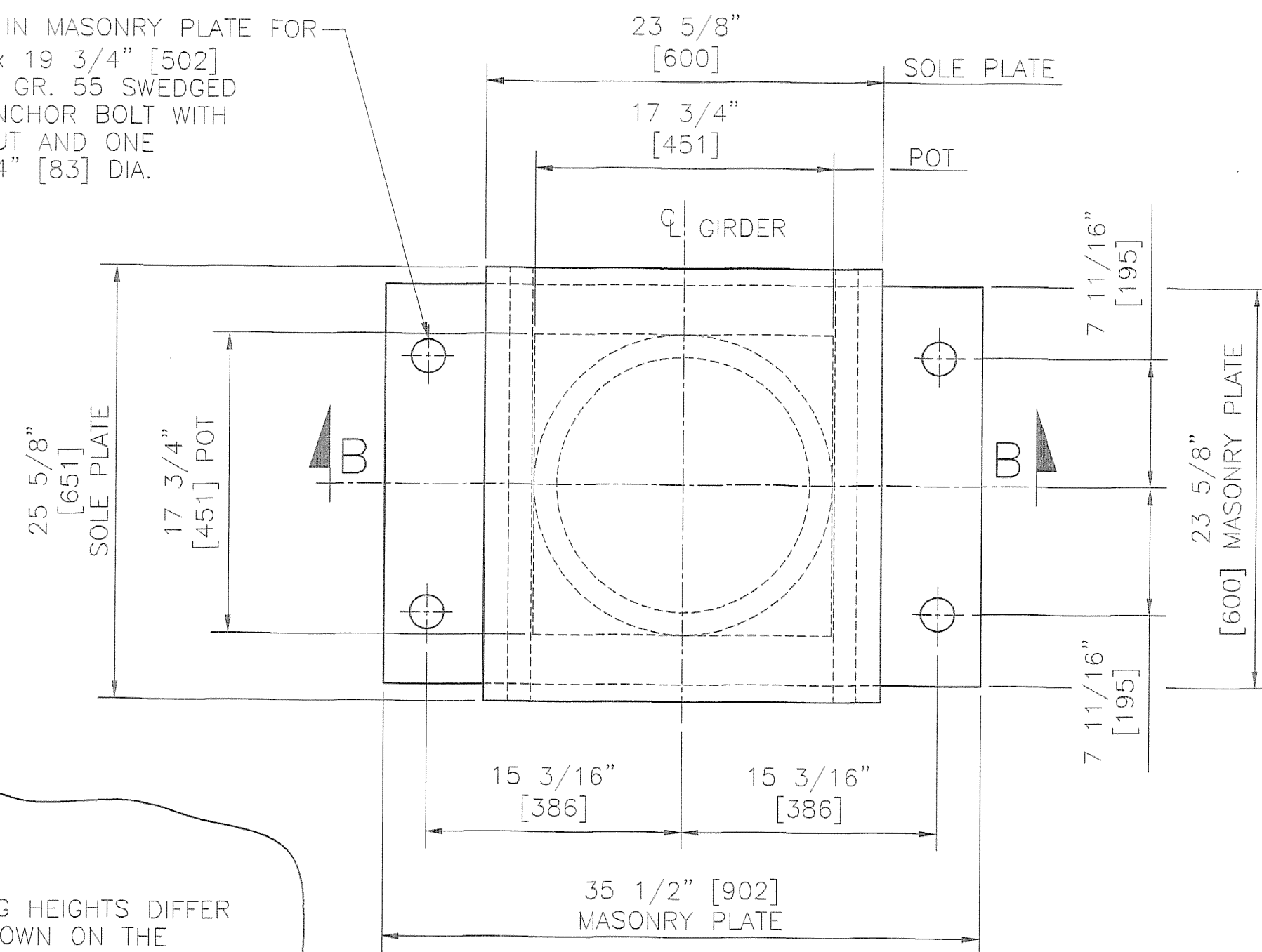
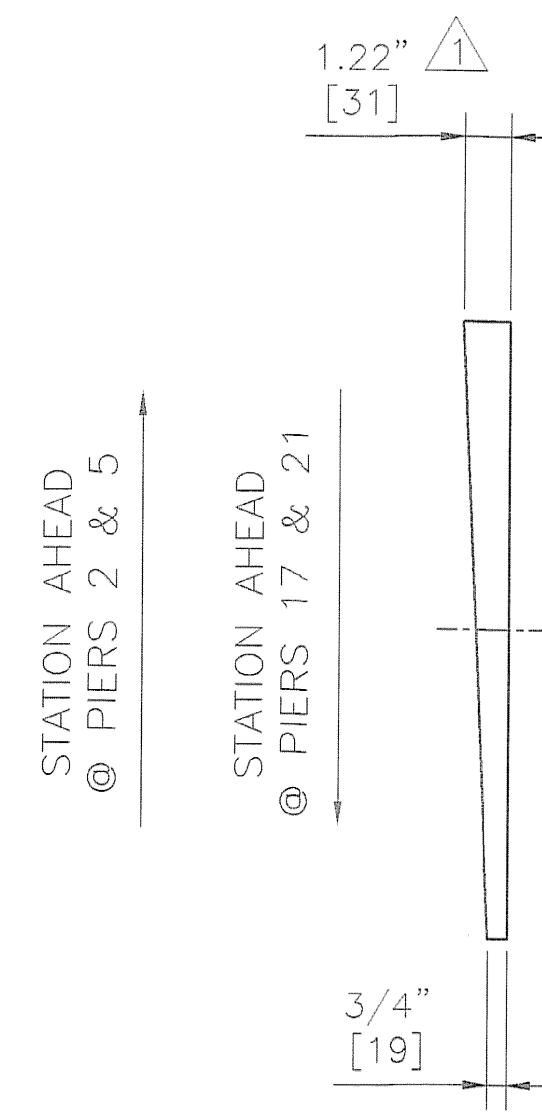


2" [50] DIA. HOLE IN MASONRY PLATE FOR
 1 1/2" [38] DIA. x 19 3/4" [502]
 LONG ASTM F.1554 GR. 55 SWEDGED
 AND GALVANIZED ANCHOR BOLT WITH
 ONE HEAVY HEX NUT AND ONE
 3/8" [10] x 3 1/4" [83] DIA.
 PLATE WASHER
 ALL GALVANIZED

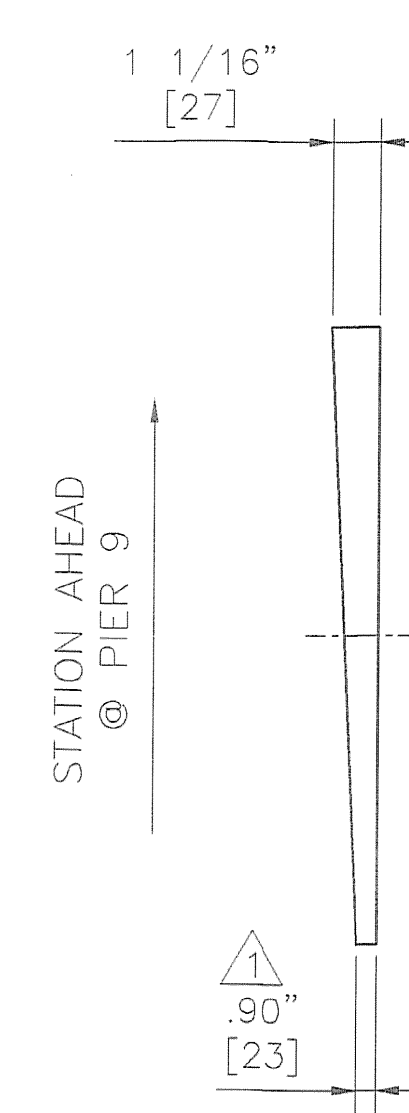


PLAN VIEW

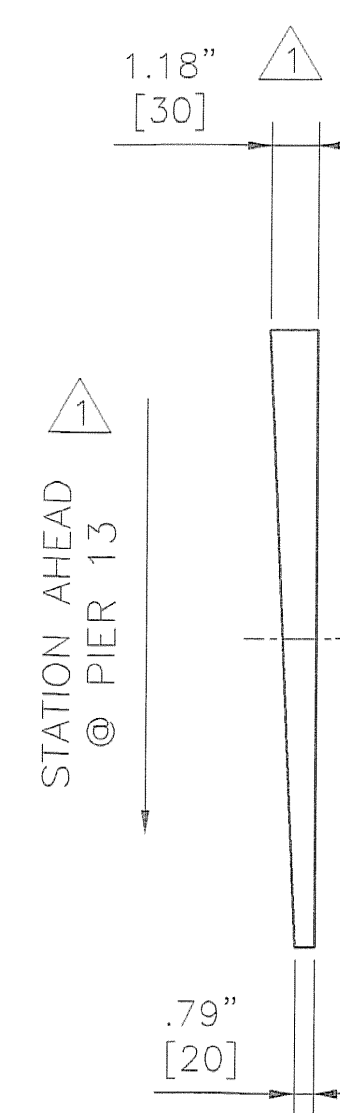
NOTE:
 OVERALL BEARING HEIGHTS DIFFER
 FROM THOSE SHOWN ON THE
 CONTRACT PLANS. CONTRACTOR SHALL
 RECOMPUTE ALL BEARING SEAT
 ELEVATIONS TO ACCURATELY REFLECT
 BEARINGS SUPPLIED.



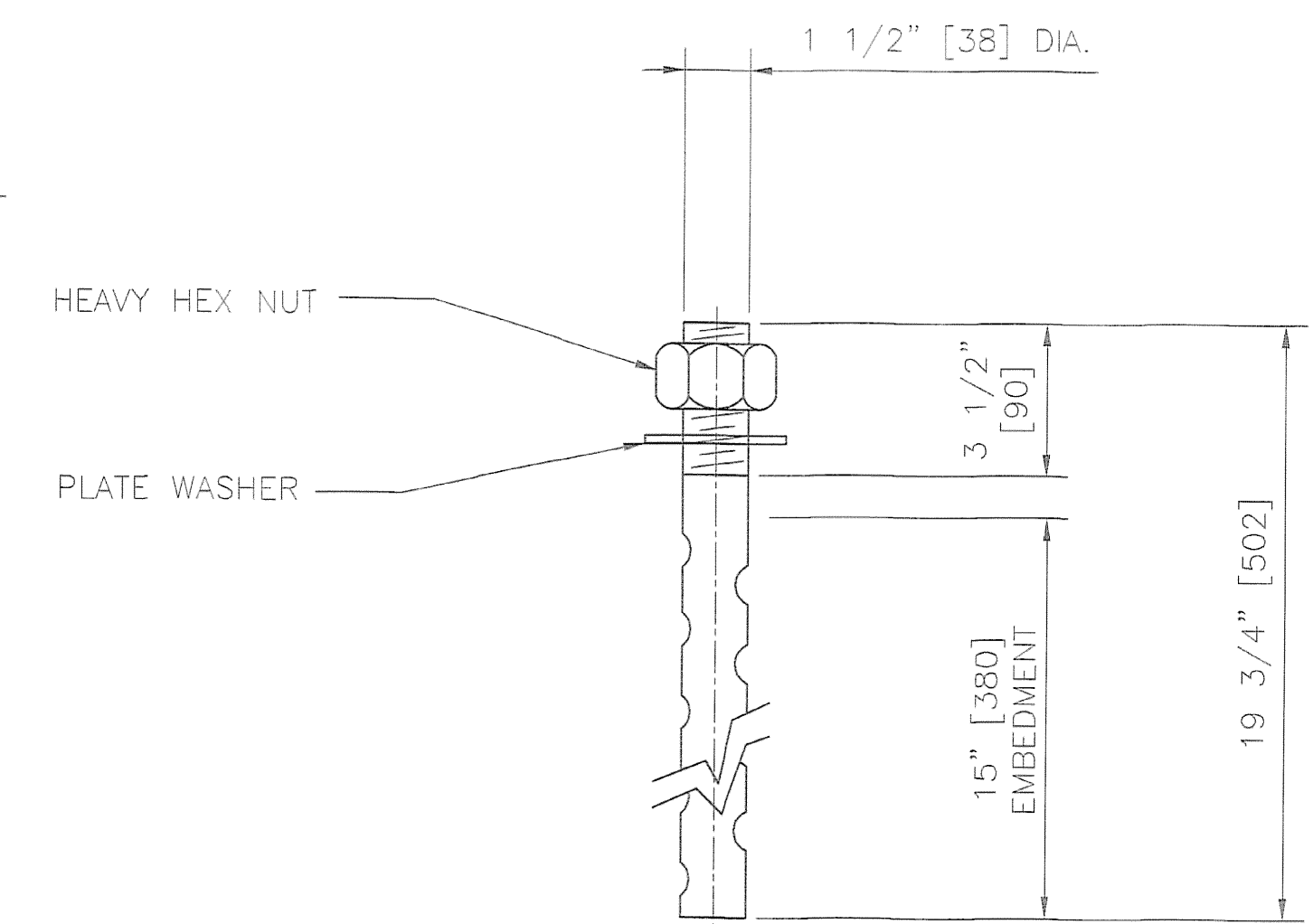
SIDE ELEVATION
 SOLE PLATE ONLY
 PIERS 2, 5, 17 & 21



SIDE ELEVATION
 SOLE PLATE ONLY
 PIER 9

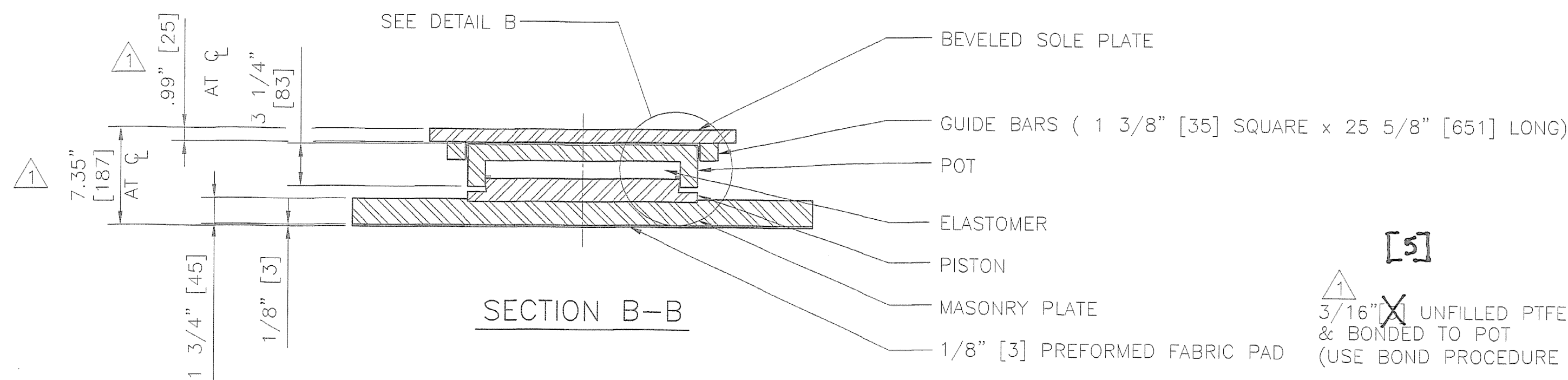


SIDE ELEVATION
 SOLE PLATE ONLY
 PIER 13



ANCHOR BOLT DETAIL

1 1/2" [38] DIA. x 19 3/4" [502] LONG
 ASTM F.1554 GR.55 SWEDGED ANCHOR BOLT WITH 3 1/2" [90]
 THREAD ONE END, ONE HEAVY HEX NUT AND
 ONE 3/8" [10] x 3 1/4" [83] DIA. PLATE WASHER
 W/ 1 3/4" [45] DIA. HOLE
 ALL GALVANIZED



GUIDED EXPANSION POT BEARING

LOCATION - PIERS 2, 5, 9, 13, 17 & 21
 GIRDERS 1 THROUGH 4

TOTAL QUANTITY REQUIRED - 24

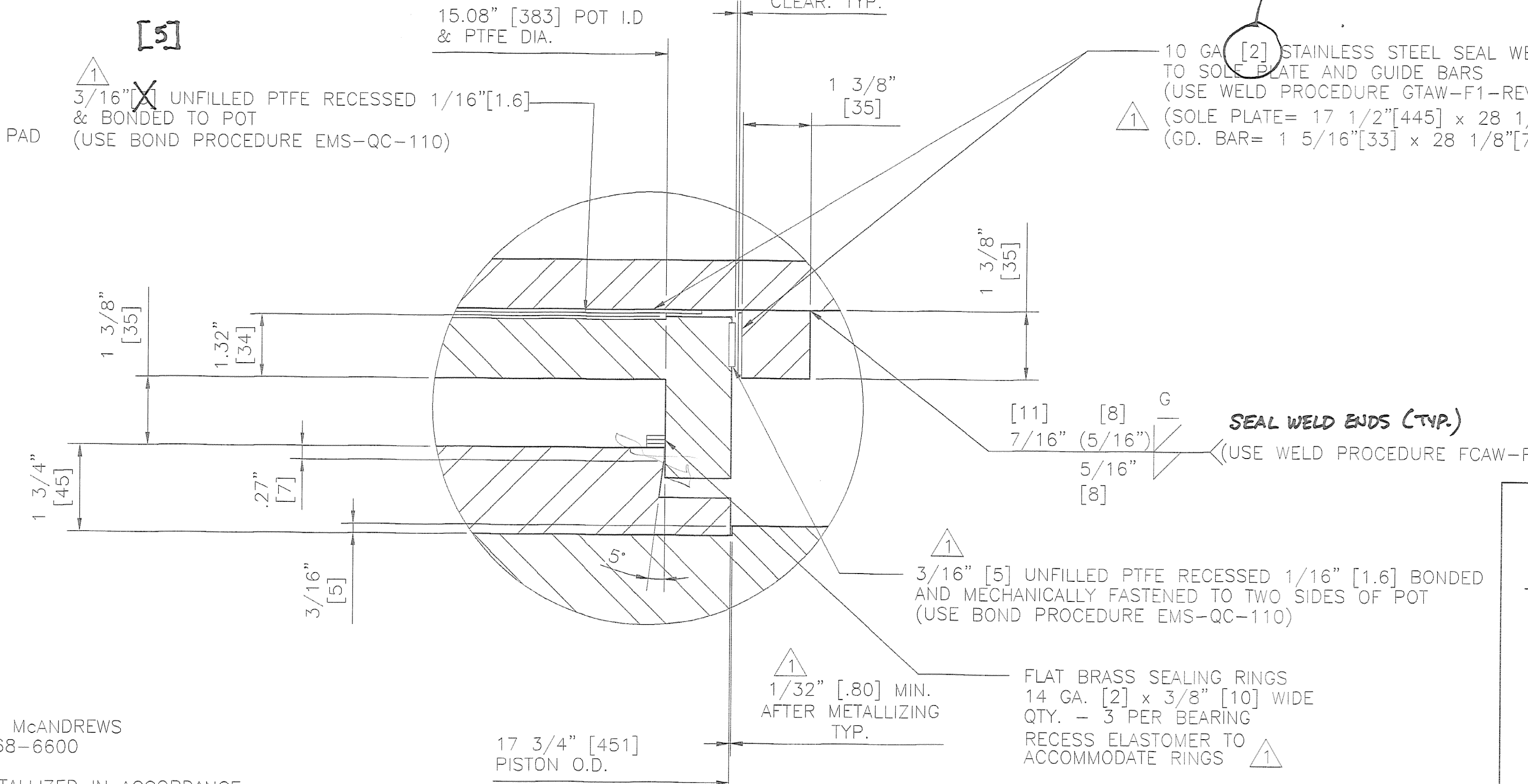
TOTAL VERTICAL CAPACITY - 625 KIIPS [2780 kN]
 TOTAL HORIZONTAL CAPACITY - 81 KIIPS [360 kN]
 TOTAL LONGITUDINAL MOVEMENT = 4.61" [117mm]
 TOTAL TRANSVERSE MOVEMENT = 1/4" [6mm]
 ROTATION CAPACITY - 0.025 RADIAN

BEARING MATERIALS

STEEL - ASTM A.709 GR. 50 ZINC METALLIZED
 STAINLESS STEEL - ASTM A.240 TYPE 304, 10 RMS FINISH OR LESS
 PTFE - ASTM D.4894 VIRGIN UNFILLED
 ELASTOMER - AASHTO 50 DUROMETER NEOPRENE
 BRASS RINGS - ASTM B.36 HALF HARD
 PREFORMED FABRIC PAD - AASHTO 18.4.9.1, DIV. II
 ANCHOR BOLTS - ASTM F.1554 GR. 55 GALVANIZED

BEARING DATA AND NOTES

- ALL MATERIAL USED IN THE MANUFACTURE OF THESE BEARINGS SHALL BE MADE IN THE U.S.A.
- BEARINGS SHALL BE SHIPPED AS COMPLETE UNITS AND SHALL BE MARKED FOR IDENTIFICATION WITH LOCATION. LOCATIONS & STATION AHEAD SHALL BE DIE STAMPED IN ONE CORNER OF SOLE PLATE IN A LOCATION VISIBLE AFTER INSTALLATION. THICK END OF BEARING SOLE PLATE SHALL BE MARKED ⊗
- ALL EDGES OF STEEL PLATES SHALL BE ROUNDED TO A 1/16" [1.6] RADIUS.
- LOCATION OF FABRICATION PLANT - 70 SOUTH STREET WALPOLE, MA 02081
- COSMEC, INC. REPRESENTATIVE: MR. MATT McANDREWS (508) 668-6600
- ALL STEEL SURFACES SHALL BE ZINC METALLIZED IN ACCORDANCE WITH AWS C 2.18. ALL EXPOSED SURFACES SHALL RECEIVE 6 MILS AND THE INTERIOR OF POT AND UNDERSIDE OF PISTON SHALL RECEIVE 2 MILS. AREAS DAMAGED DURING FIELD WELDING SHALL BE REPAIRED IN ACCORDANCE WITH VT A.O.T SUPPLEMENTAL SPECIFICATION 513.
- UNDER NO CIRCUMSTANCES SHALL THE BEARINGS BE DISASSEMBLED WITHOUT EXPRESS WRITTEN AUTHORIZATION FROM COSMEC, INC. UNAUTHORIZED DISASSEMBLY MAY CAUSE MALFUNCTION OF UNIT.



DETAIL B

UPDATE METRIC DIMENSION

SHOP DRAWING REVIEW

REVIEWED AS REQUIRED BY THE CONSTRUCTION CONTRACT DOCUMENTS AND APPROVED, BUT ONLY FOR CONFORMANCE TO THE DESIGN CONCEPT OF THE WORK, AND SUBJECT TO FURTHER LIMITATIONS AND REQUIREMENTS CONTAINED IN THE CONSTRUCTION CONTRACT DOCUMENTS.

REJECTED REVISE AND RESUBMIT FURNISH AS CORRECTED

CORRECTIONS OR COMMENTS MADE ON THE SHOP DRAWINGS DURING THIS REVIEW DO NOT RELIEVE CONTRACTOR FROM COMPLIANCE WITH REQUIREMENTS OF THE DRAWINGS AND SPECIFICATIONS. THIS CHECK IS ONLY FOR REVIEW OF GENERAL CONFORMANCE WITH THE DESIGN CONCEPT OF THE PROJECT AND GENERAL COMPLIANCE WITH THE INFORMATION GIVEN IN THE CONTRACT DOCUMENTS. THE CONTRACTOR IS RESPONSIBLE FOR CONFIRMING AND CORRECTING ALL QUANTITIES AND DIMENSIONS, SELECTING FABRICATION PROCESSES AND TECHNIQUES OF CONSTRUCTION, COORDINATING HIS WORK WITH THAT OF ALL OTHER TRADES, AND PERFORMING HIS WORK IN A SAFE AND SATISFACTORY MANNER.

VHB Varnasse Hangen Brustlin, Inc.
 Engineers, Planners, and Scientists
 5th Bedford Farms, Kilton Rd.
 Bedford, NH 03110 603 644 0936

Job Number: 50911
 Reviewed By: *[Signature]*
 Date: 11-11-2004

STATE OF VERMONT
 AGENCY OF TRANSPORTATION
 PROJECT NO. BRF 036-1(1)
 TOWNS OF ALBURG-SWANTON
 VT 78 OVER MISSISQUOI BAY
 BRIDGE NO. 2
 PIERS 2, 5, 9, 13, 17 & 21
 POT BEARING DETAILS

COSMEC, INC. 70 SOUTH STREET
 WALPOLE, MA. 02081

SCALE: N.T.S.	DRAWN BY: MCM	CHECKED BY: NH
SHEET 4 OF 7	DATE: 7/27/04	DATE: 8/2/04

COSMEC POT BEARINGS

REV. 1	ADDED WELD & SIDE ELEVATION FOR PIER 13 SOLE PLATE, REV. NOTE 2, REV. ANCHOR BOLT OVERALL HEIGHT & AS NOTED	BY: MK	DATE: 10/13/04	CK'D:	DATE:
CUSTOMER:	CIANBRO CORP.	S.O. NUMBER:	60093	DRAWING NUMBER:	4261
REV.:	1				