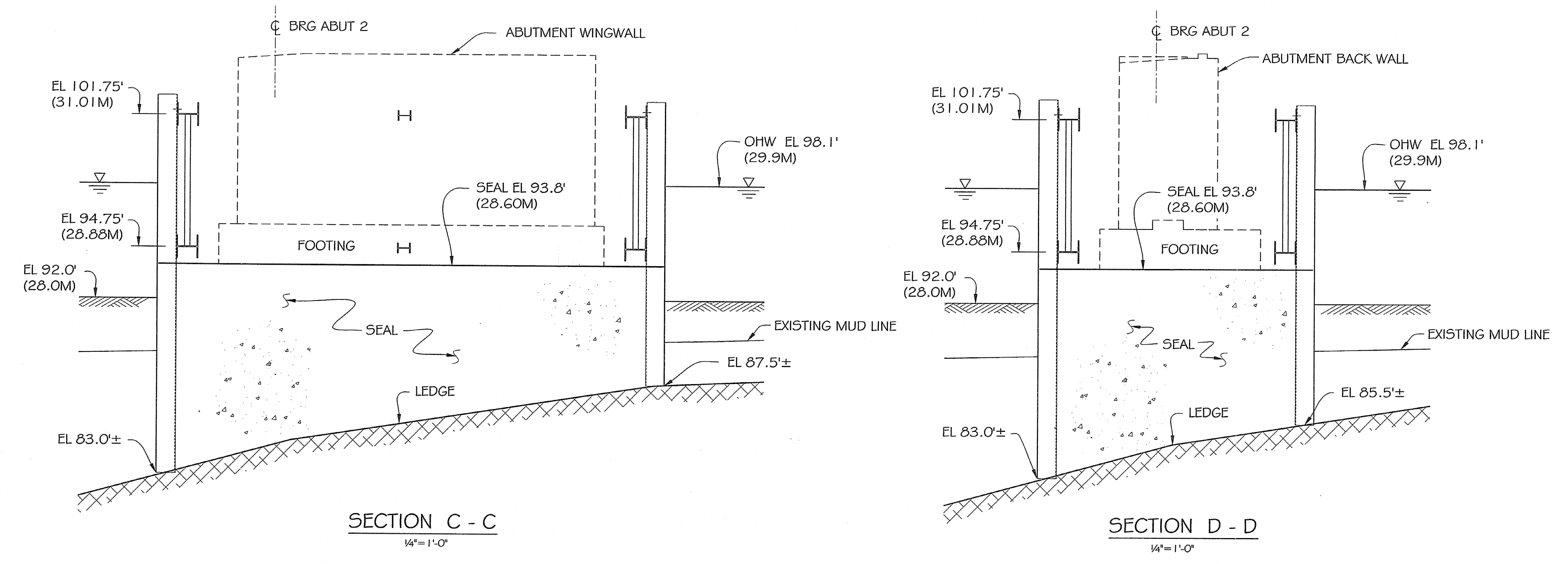
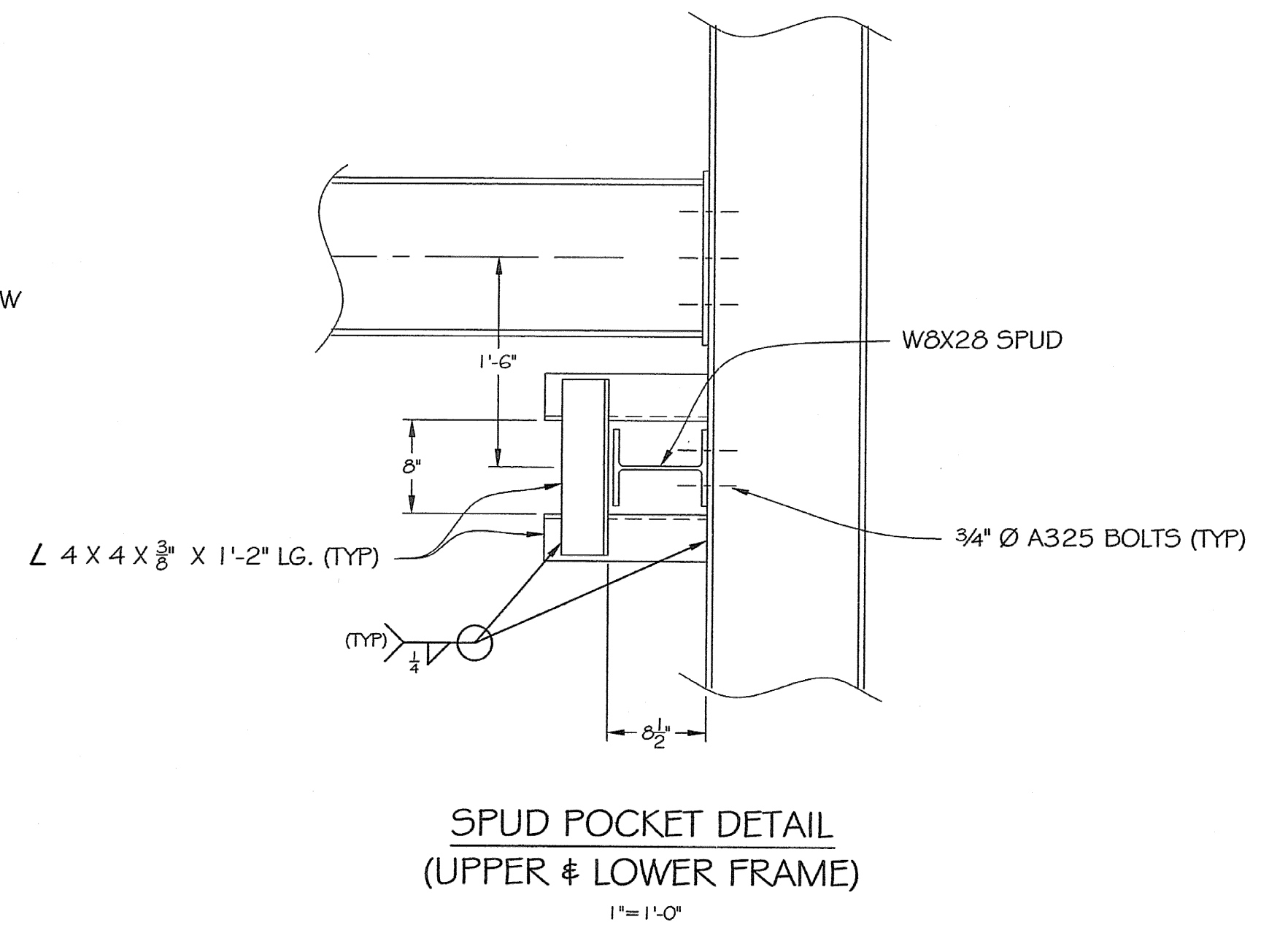
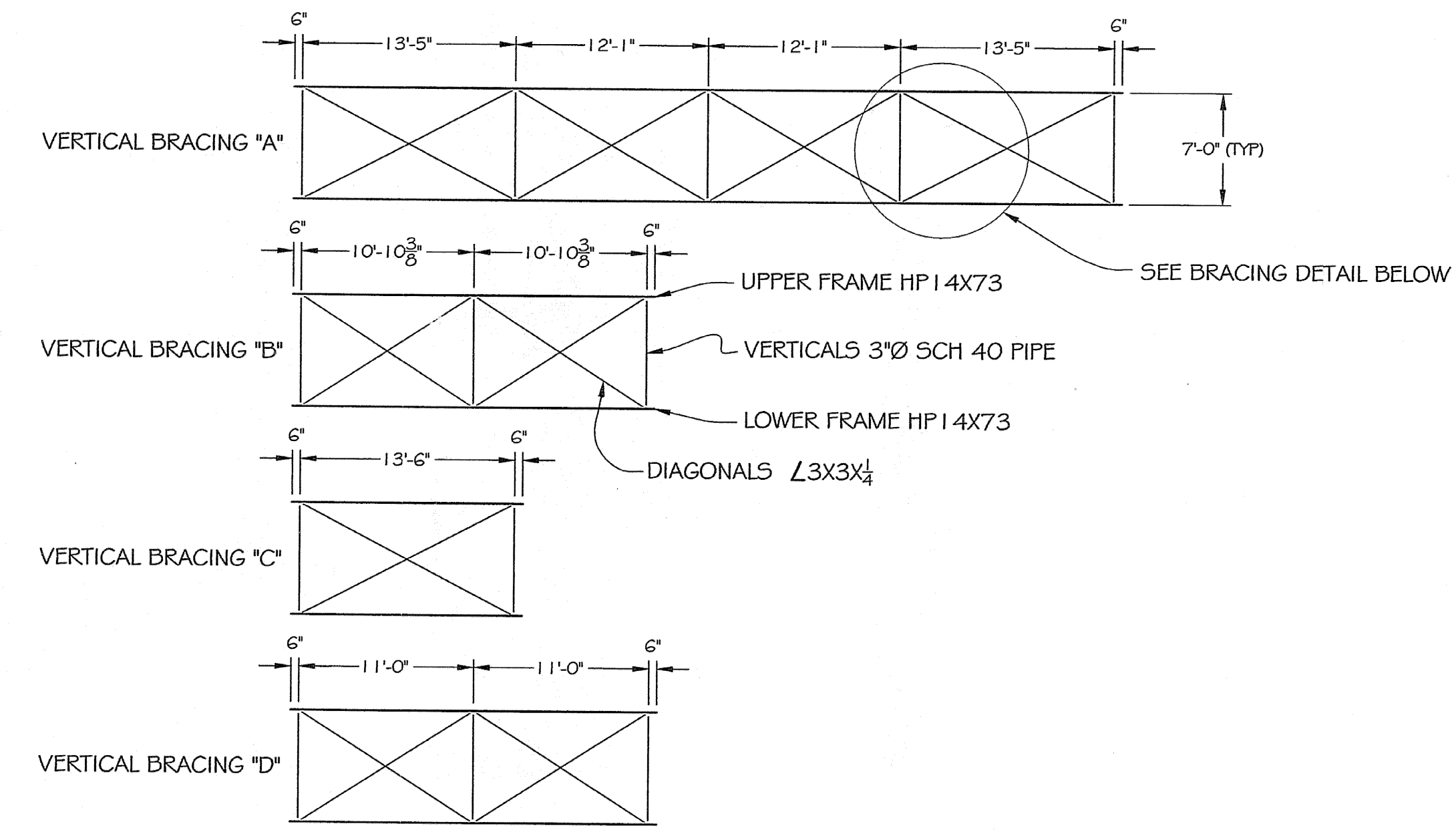


PLAN VIEW
SHEET PILE LAYOUT
UPPER & LOWER FRAMES
1/4" = 1'-0"

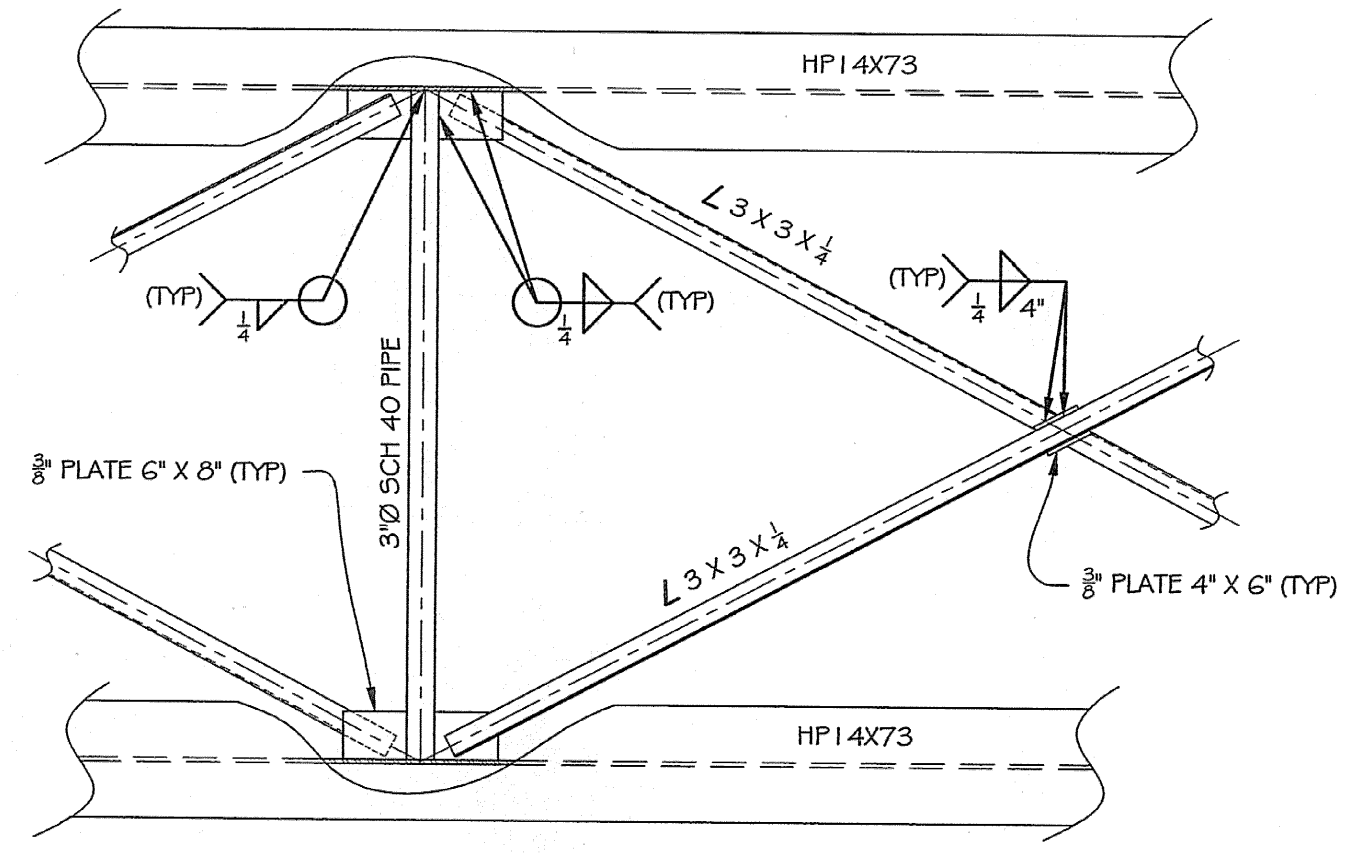


SECTION C - C
1/4" = 1'-0"

SECTION D - D
1/4" = 1'-0"



SPUD POCKET DETAIL
(UPPER & LOWER FRAME)
1" = 1'-0"



BRACING DETAILS
1/2" = 1'-0"

THE STATE OF VERMONT
AGENCY OF TRANSPORTATION
TOWNS OF ALBURG AND SWANTON
COUNTIES OF GRAND ISLE AND FRANKLIN
VT 78 OVER MISSISQUOI BAY, BRIDGE NO. 2
PROJECT NO. BRF 03G-1 (1)

REV	DATE	BY	DESCRIPTION
0	9-7-04	JF	ISSUED FOR APPROVAL

VT 78 OVER MISSISQUOI BAY

ALBURG SWANTON

ABUTMENT 2 COFFERDAM
PLAN, SECTION AND DETAILS

SCALE: NOTED
DATE: 9-7-04
DRAWN: J. FOLEY
CHECK:

JOSEPH P. FOLEY, JR.
REGISTERED PROFESSIONAL ENGINEER
NO. 6912
STATE OF VERMONT

CIANBRO
THE CONSTRUCTORS

SHEET 2 OF 2
JOB 2404.000

CAD FILE: Abut Coffers.dwg