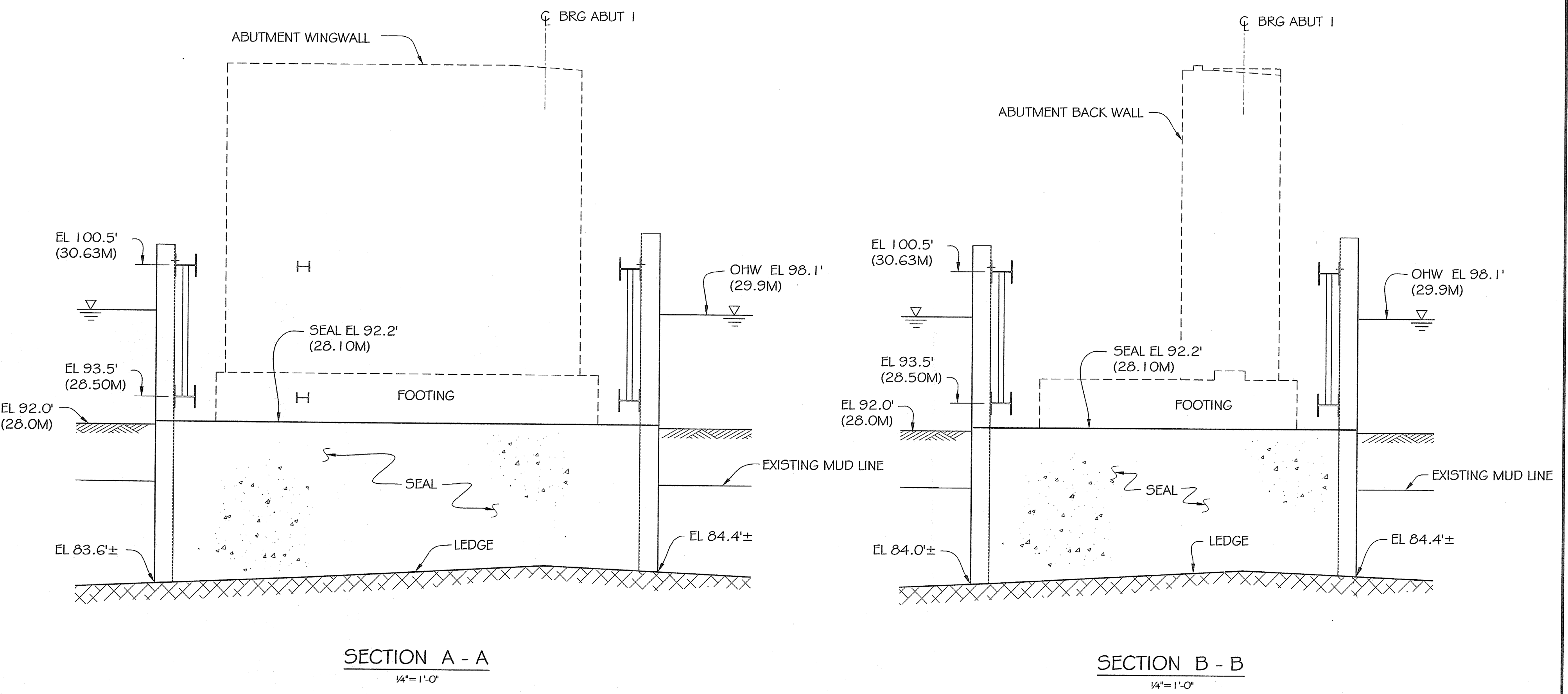


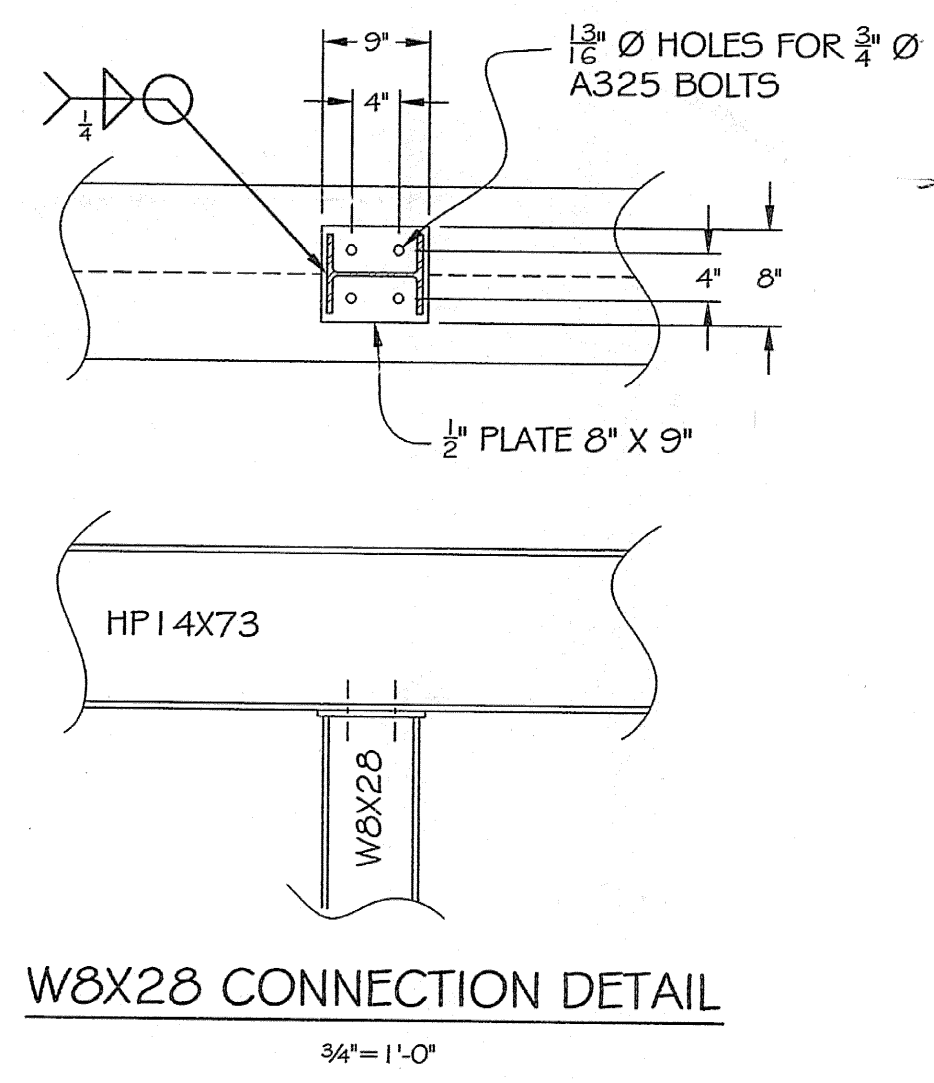
PLAN VIEW  
SHEET PILE LAYOUT  
UPPER & LOWER FRAMES  
1/4" = 1'-0"

NOTE:  
SEE SHEET 2 FOR SPUD POCKET & VERTICAL BRACING DETAILS.

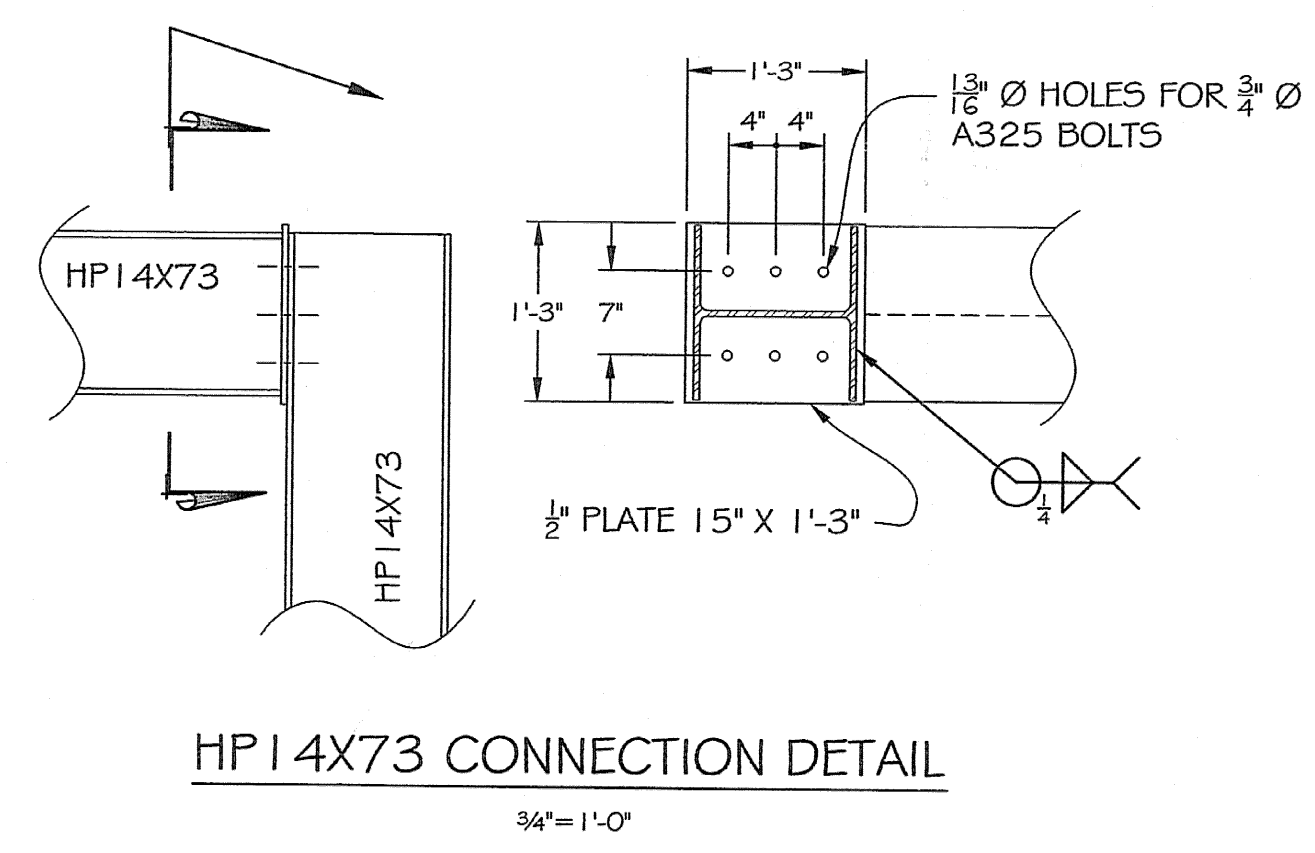


SECTION A - A  
1/4" = 1'-0"

SECTION B - B  
1/4" = 1'-0"

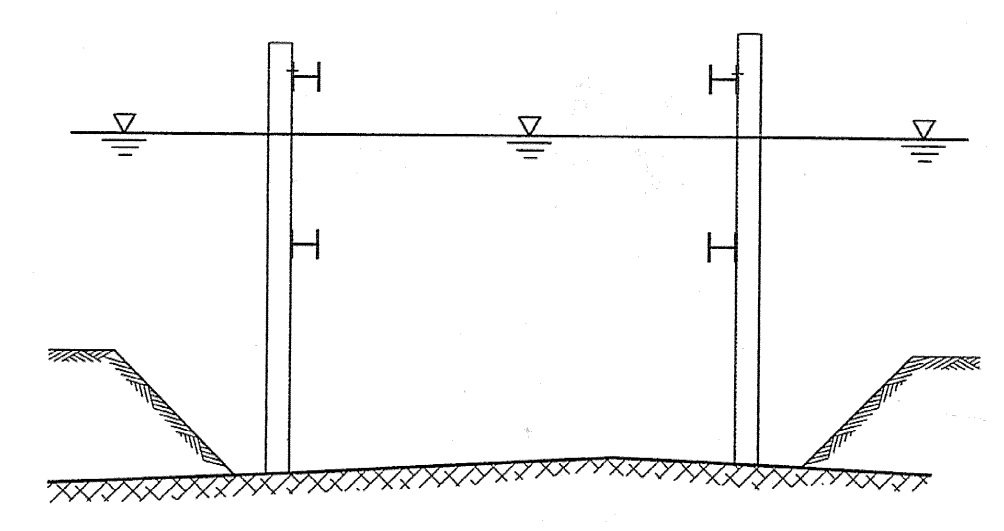


W8x28 CONNECTION DETAIL  
3/4" = 1'-0"



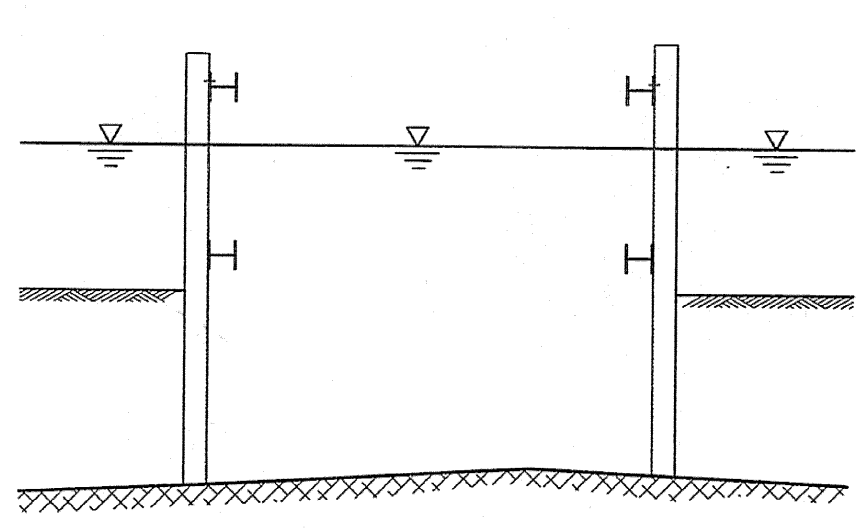
HP 14x73 CONNECTION DETAIL  
3/4" = 1'-0"

- NOTES:**
- 1.) COFFERDAM MUST BE FLOODED IF LAKE ELEVATION EXCEEDS 98.1' (29.9m)
  - 2.) ALL STEEL ASTM A36.
  - 3.) WELDING ELECTRODE E70XX.
  - 4.) BOLTS ASTM A325.

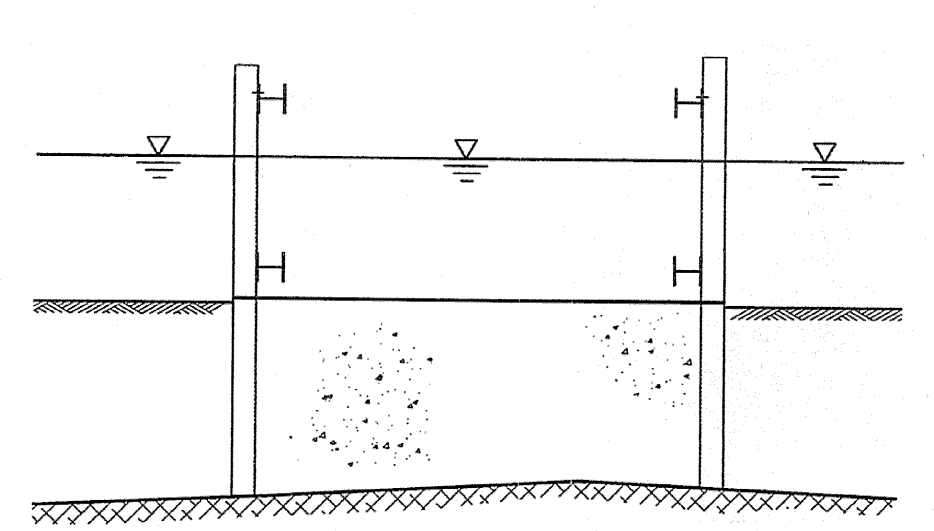


CONSTRUCTION SEQUENCE:

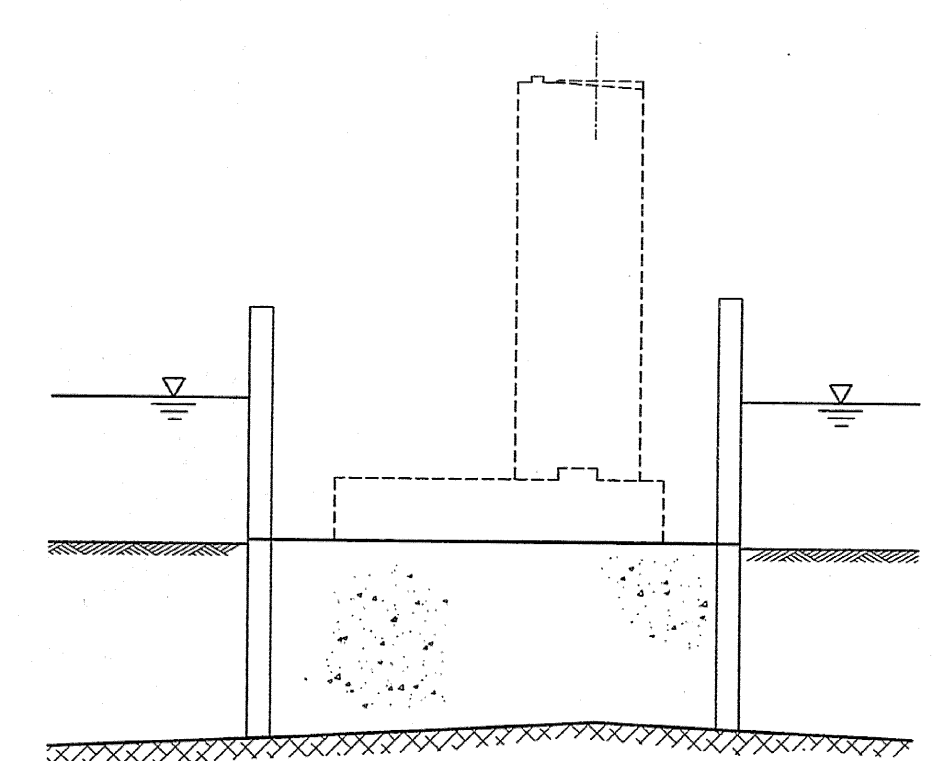
1. EXCAVATE ABUTMENT AREA TO LEDGE.
2. SET FRAME AND COFFERDAM SHEET PILE.



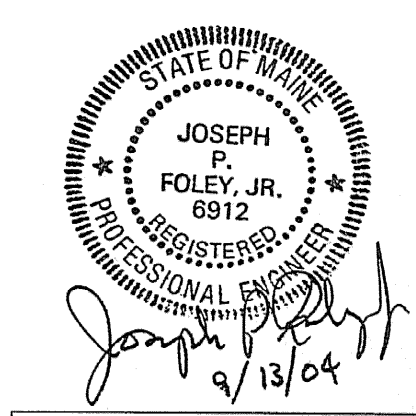
3. BACKFILL UNIFORMLY AROUND COFFERDAM TO ELEVATION 92' (28.0m).



4. PLACE SEAL CONCRETE.
5. ALLOW TO CURE FOR 5 DAYS OR A MINIMUM COMPRESSIVE STRENGTH OF 2,500 psi.



6. DEWATER COFFERDAM.
7. REMOVE FRAME.
8. CONSTRUCT FOOTING AND ABUTMENT.



THE STATE OF VERMONT  
AGENCY OF TRANSPORTATION  
TOWNS OF ALBURG AND SWANTON  
COUNTIES OF GRAND ISLE AND FRANKLIN  
VT 78 OVER MISSISQUOI BAY, BRIDGE NO. 2  
PROJECT NO. BRF 03G-1 (1)

REV	DATE	BY	DESCRIPTION
0	9-7-04	JF	ISSUED FOR APPROVAL

VT 78 OVER MISSISQUOI BAY

ALBURG SWANTON

ABUTMENT I COFFERDAM  
PLAN, SECTION AND DETAILS

SCALE: NOTED  
DATE: 9-7-04  
DRAWN: J. FOLEY  
CHECK:

**CIANBRO**  
THE CONSTRUCTORS

SHEET 1 OF 2  
JOB 2404.000

CAD FILE: Abut.Coffers.dwg