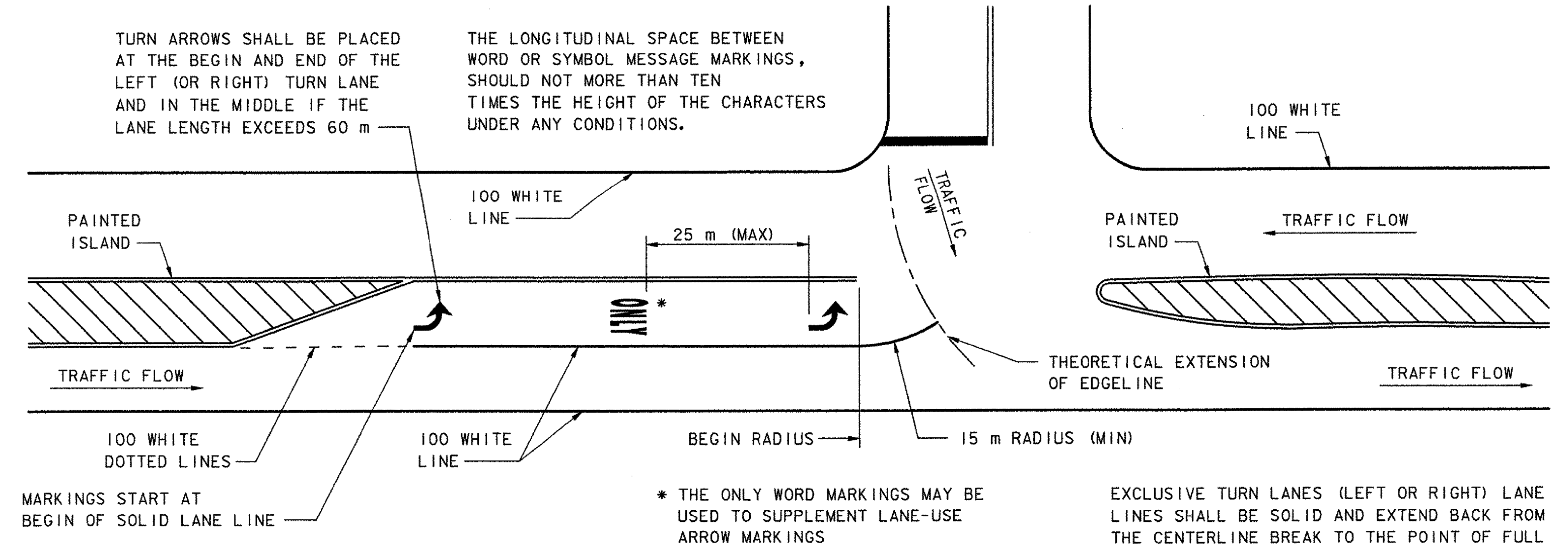
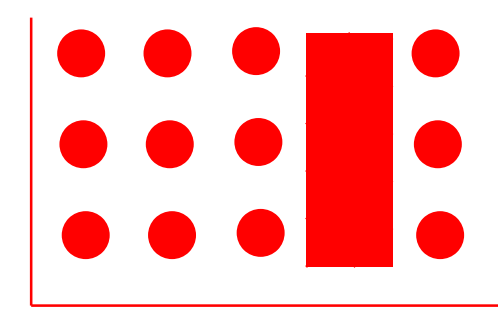
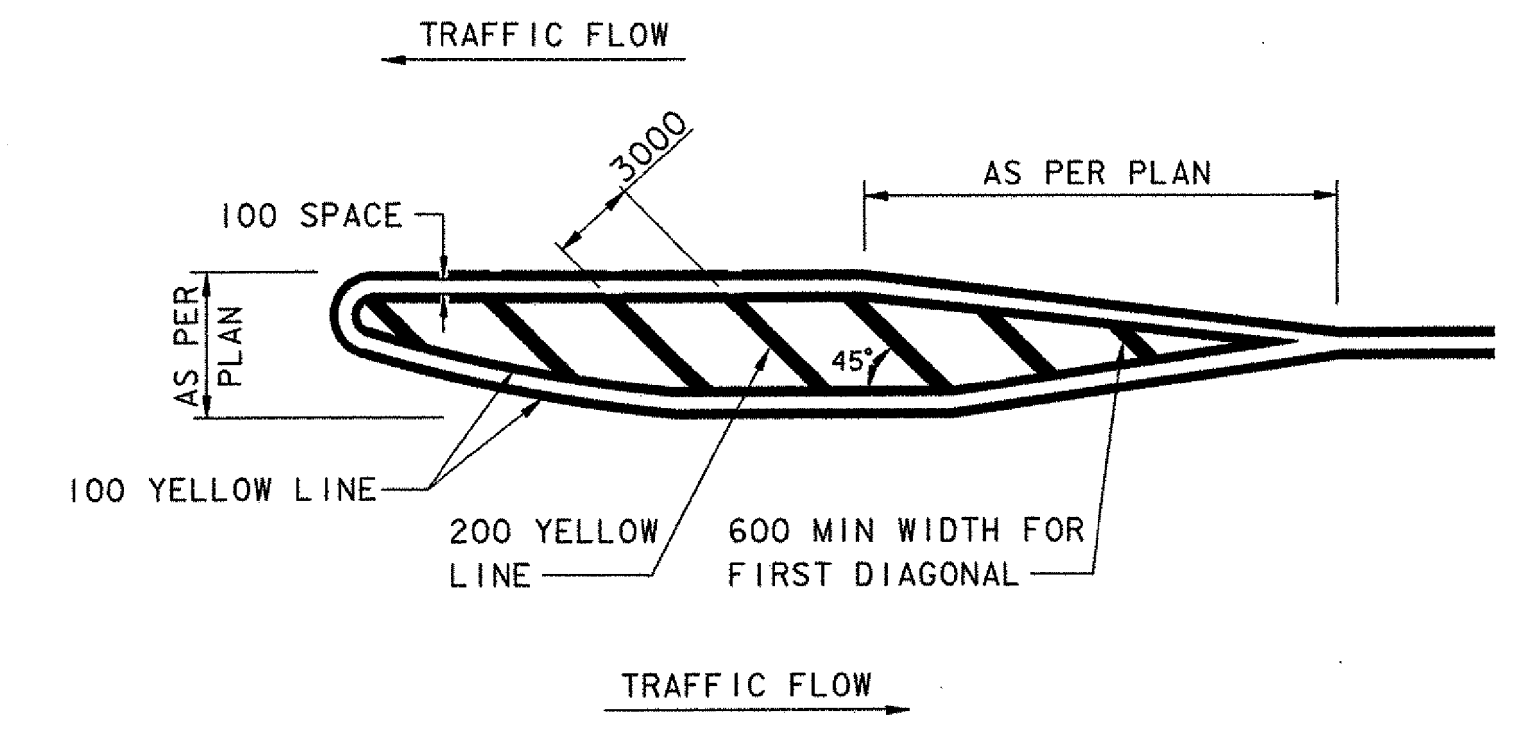


**CONCRETE ENCASED DUCT BANK (12 DUCTS) DETAIL**  
(TYPICAL FROM UTILITY VAULT TO BRIDGE ABUTMENT)  
(LOOKING UPSTATION)  
NOT TO SCALE

THIS DETAIL WAS MODIFIED AS ABOVE TO KEEP PULL BOXES AWAY FROM TRAVEL LANE

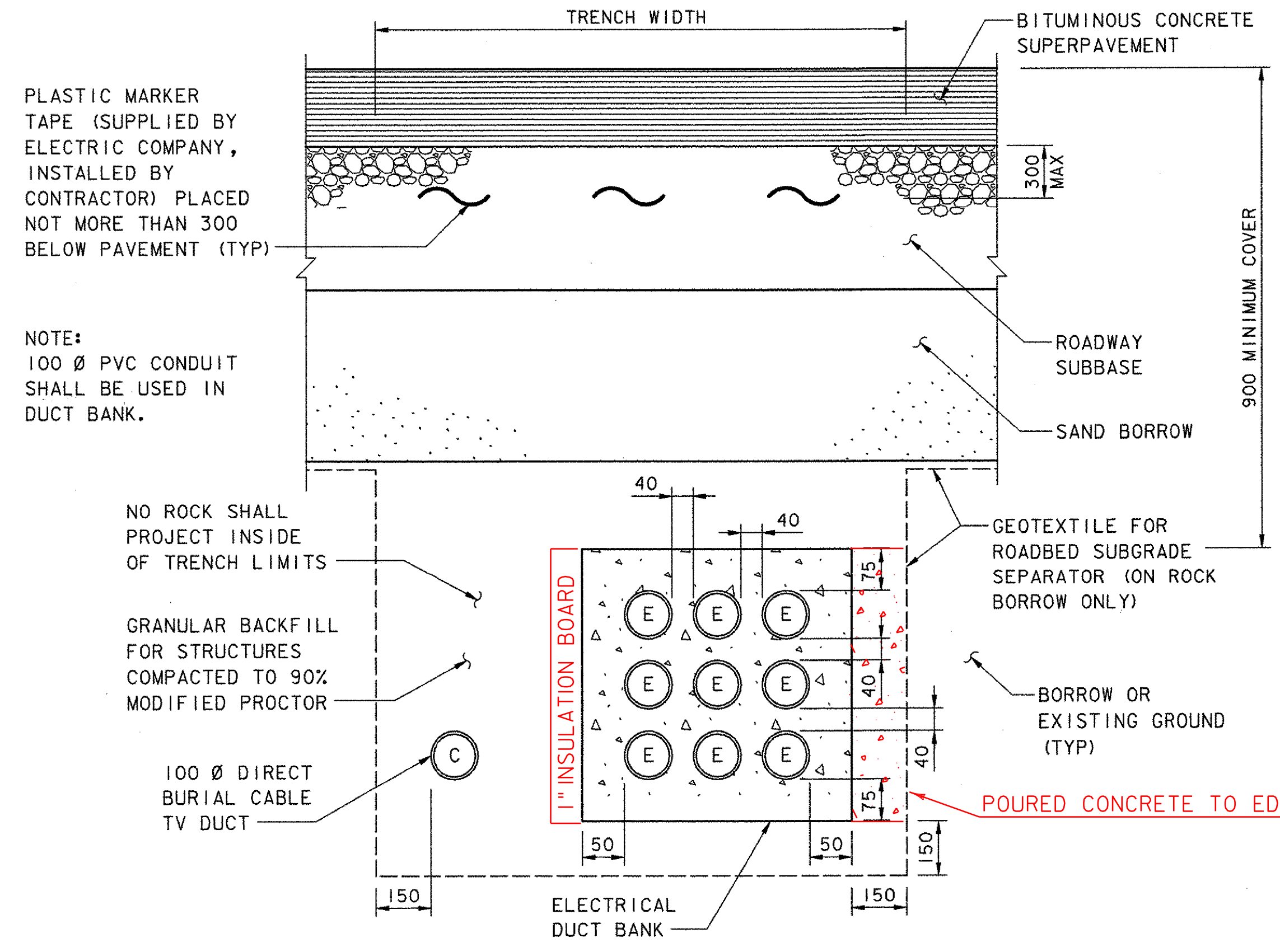


**PAVEMENT MARKINGS FOR TURN LANE DETAIL**  
NOT TO SCALE

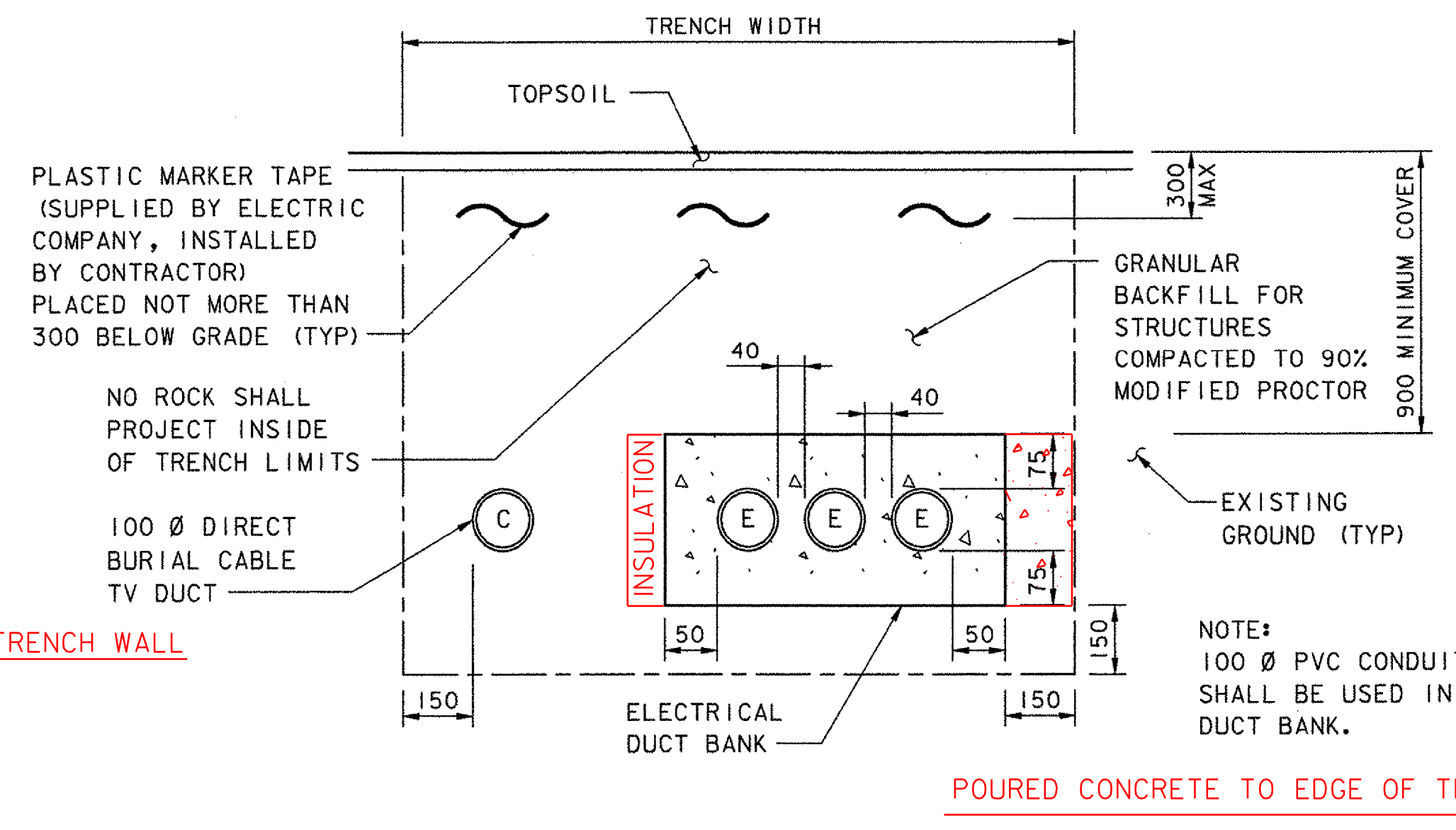


**PAINTED ISLAND DETAIL**  
NOT TO SCALE

- LEGEND**
- (E) PROPOSED ELECTRICAL DUCT
  - (V) PROPOSED VTRANS DUCT
  - (C) PROPOSED CABLE TV DUCT



**CONCRETE ENCASED DUCT BANK (9 DUCTS) DETAIL**  
(TYPICAL FROM RISER POLE TO UTILITY VAULT)  
(LOOKING UPSTATION)  
NOT TO SCALE



**CONCRETE ENCASED DUCT BANK (3 DUCTS) DETAIL**  
(TYPICAL BETWEEN RISER POLES)  
(LOOKING UPSTATION)  
NOT TO SCALE

**VANASSE HANGEN BRUSTLIN, INC.**

**STATE OF VERMONT AGENCY OF TRANSPORTATION**

Town Of	ALBURG-SWANTON	Bridge No.	2
Highway No.	VT 78	Log Sta.	
		Surv. Sta.	
VT 78 OVER MISSISQUOI BAY			
<b>MISCELLANEOUS DETAIL SHEET</b>			
Designed By	C.L. CILLEY	Drawn By	C.L. CILLEY
Checked By	Date	Bridge Design Supervisor	
	11/03	C.D. BAKER	Date 11/03
PROJECT	ALBURG-SWANTON	PROJECT NO.	BRF 036-1 (I)
I.G.C. Info.		Sheet C126 of C194	
File No. ZE072MDI		Sheet C126 of C194	