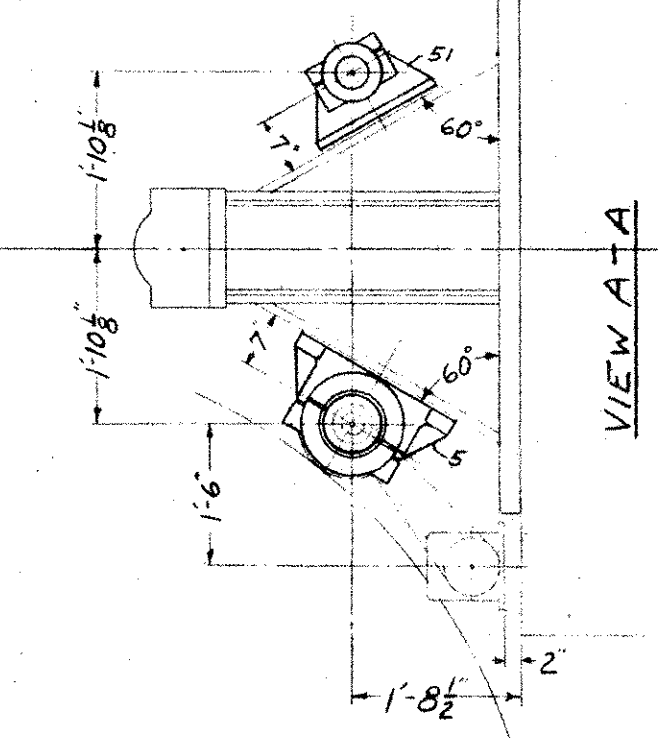
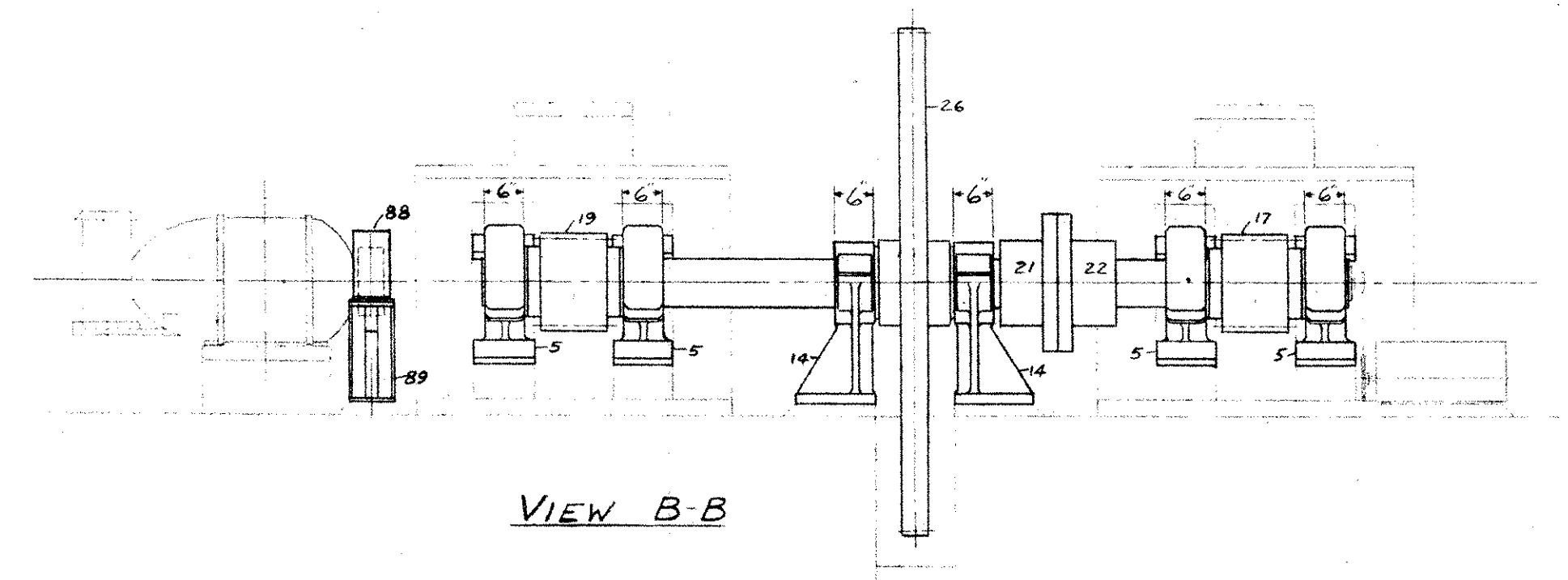


NOTE: MACHINERY ON PIER #2 SHOWN
MACHINERY ON PIER #3 SAME HAND



SPECIFICATIONS _____
INSPECTION _____

GENERAL NOTES
ALL STEEL CASTINGS & FORGINGS TO BE ANNEALED
SPOT FACE FOR ALL BOLT HEADS & NUTS
SCRIBE PITCH LINES ON BOTH SIDES OF ALL GEARS
SHOP PAINT—ONE COAT—
FINISHED SURFACES COATED—
CUT OIL GROOVES IN ALL BEARINGS UNLESS NOTED
ALL SHIMS TO BE DRILLED

DATE	REVISIONS

APPROVED VERMONT DEPT. OF HIGHWAYS 11/5/51
S. O. D-610 CONTRACT

GRAND ISLE - NORTH HERO BASCULE
BRIDGE VERMONT
AS APPLIES TO AMERICAN BRIDGE CO'S
CONTRACT J-9754-B

THE EARLE GEAR AND MACHINE COMPANY
4707 TO 4715 STENTON AVENUE
PHILADELPHIA 44, PA.

DRAWN BY R.W.D. APPROVED BY _____
CHECKED BY _____ REV. APPVD. _____
DATE 4-6-51 REV. APPVD. _____
SHEET 1 OF 9 DWG. NO. 5620 E-30