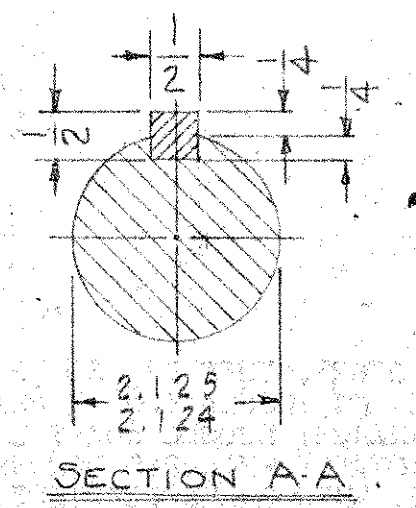
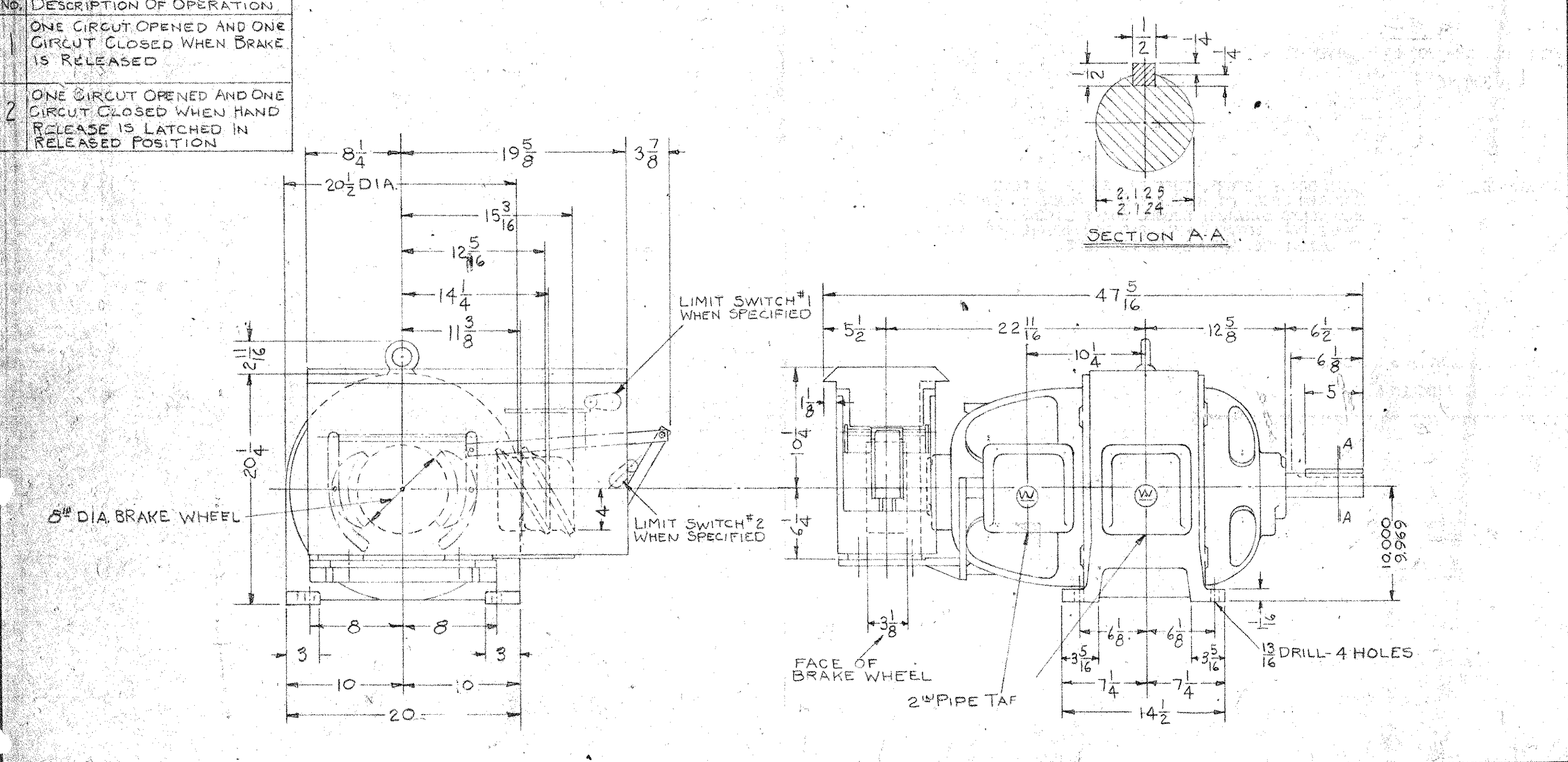


LIMIT SWITCHES WHEN SPECIFIED	
1	DESCRIPTION OF OPERATION ONE CIRCUIT OPENED AND ONE CIRCUIT CLOSED WHEN BRAKE IS RELEASED
2	ONE CIRCUIT OPENED AND ONE CIRCUIT CLOSED WHEN HAND RELEASE IS LATCHED IN RELEASED POSITION

APPROX. WT. OF MOTOR AND BRAKE = 725 LBS.



1	CHANGE
5.0	AN-3716
D.	1-B9506-C
E.	

**WESTINGHOUSE ELECTRIC CORPORATION**

TITLE MOTOR A.C. FRAME # 404 "C1" WITH "HI-83" BRAKE - WEATHER PROOF & HAND RELEASE - OUTLINE.

DIMENSIONS IN INCHES - SCALE 1:8

DFTM	10	APPD.	
CHKD.	73	APPD.	
REF. ENG. DRG.	10	APPD.	M. G. [Signature]

**15-C-3645**

DIV. & PLANT LOCATION MOTOR BUFFALO DIVISIONS, BUFFALO, N. Y., U.S.A.