



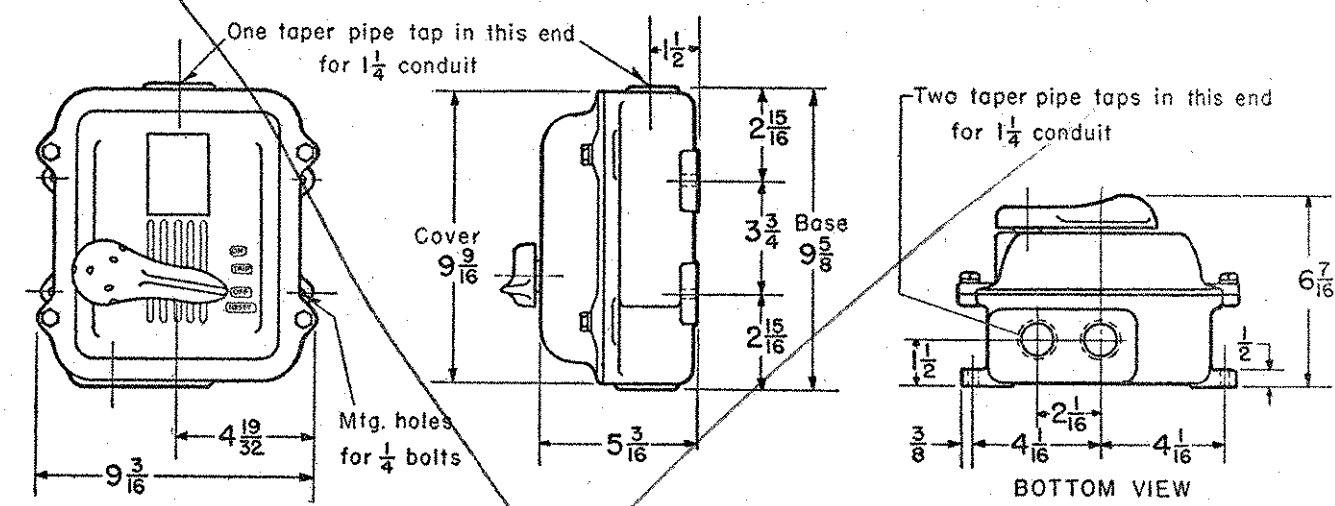
CIRCUIT PROTECTIVE EQUIPMENT
NOFUSE "DE-ION" CIRCUIT BREAKERS
ENCLOSED TYPE AB-1

DIMENSION SHEET
30-230

PAGE
7

CONDUIT SIZES • WIRING SPACE WITHIN ENCLOSURES

CAST IRON WATER AND DUST-TIGHT ENCLOSURES (NEMA TYPES 3, 4 AND 5) AND CAST IRON ENCLOSURES FOR HAZARDOUS LOCATIONS—CLASS II, GROUPS E, F AND G—(NEMA TYPE 9)
 50 Ampere E Frame—3 Poles—250 Volts A-C or 125/250 D-C



LINE NO.	ENCLOSURE	E FRAME THERMAL TRIP AMP.	CONDUIT SIZE
1	Class II, Group G	15-20-25-35-50	1 $\frac{1}{2}$
2	Water and Dust Tight	15-20-25-35-50	1 $\frac{1}{4}$

* WIRING SPACE WITHIN ENCLOSURES				
NO. OF POLES	TOP	BOTTOM	LEFT SIDE	RIGHT SIDE
1	1 $\frac{1}{2}$	1 $\frac{1}{2}$	1 $\frac{1}{2}$	1 $\frac{1}{2}$
2	1 $\frac{1}{2}$	1 $\frac{1}{2}$	1 $\frac{1}{2}$	1 $\frac{1}{2}$

*Clearance from breaker to walls of enclosure.

NOTES ON CONDUITS
 Box may be turned end for end if desirable to have conduit openings in reversed location.
 Maximum size of conduit possible is $1\frac{1}{4}$ inches.
 When smaller conduits are required, reducer must be used. (Furnished by the customer.)
 Conduit gaskets for sides of these enclosures not available.

NOT TO BE USED FOR CONSTRUCTION PURPOSES UNLESS IDENTIFIED.

Supersedes D.S. 30-230, pages 7 and 8, dated October, 1948

EFFECTIVE NOVEMBER, 1949

WESTINGHOUSE ELECTRIC CORPORATION • BEAVER PLANT • STD. CONTROL DIV. • BEAVER, PA.

E48-231; D45-221; C30-3; C38-2B; CH.
 Classified File

Printed in U.S.A.