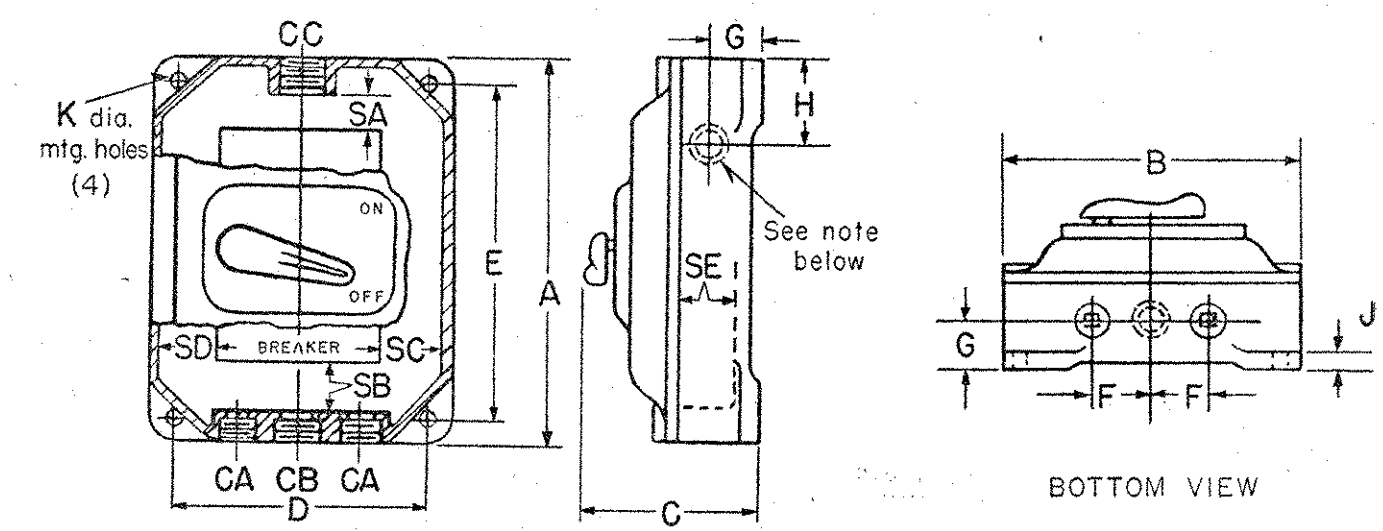


P  
F  
R  
G  
A  
8

**CIRCUIT PROTECTIVE EQUIPMENT**  
**NOFUZE "DE-10" CIRCUIT BREAKERS**  
**ENCLOSED TYPE AS-1**

CONDUIT PIPE TAP SIZES • WIRING SPACE WITHIN ENCLOSURES

CAST IRON WATER AND DUST-TIGHT ENCLOSURES (NEMA TYPES 3, 4 AND 5) AND CAST IRON ENCLOSURES FOR HAZARDOUS LOCATIONS—CLASS II, GROUP G—(NEMA TYPE 9)  
 100 Amperes F and G Frames—2 and 3 Poles—Voltages to 600 A-C; 250 D-C  
 225 Amperes K Frames—2 and 3 Poles—Voltages to 600 A-C; 250 D-C



LINE NO.	BREAKER FRAME	AMPERES	DIMENSIONS IN INCHES											STANDARD PIPE TAP FOR CONDUIT			MAXIMUM SIZE OF CONDUIT POSSIBLE
			A	B	C	D	E	F	G	H	J	K	CA	CB	CC		
1	F Frame Non-interchangeable Trip	15 to 50	16 1/2	8 3/4	7 1/4	7 3/4	10 1/4	1 3/4	1 3/4	3 3/4	3/4	1 1/4	...	1 3/4	1 3/4	1 3/4	
2	F Frame Non-interchangeable Trip	70-90-100	18 1/4	8 3/4	7 1/4	7 3/4	10 1/4	1 3/4	1 3/4	3 3/4	3/4	2	...	2	2	2	
3	G Frame Interchangeable Trip	80 to 100	19 3/4	12 3/4	7 1/4	11 3/4	10 3/4	2 3/4	1 3/4	3 3/4	3/4	3/4	1 1/4	1 1/4	1 1/4	2	
4	K Frame Interchangeable Trip	70 to 225	30	17	9 1/4	15 3/4	28 3/4	3 3/4	2 3/4	4 3/4	1 1/4	1 1/4	2 1/4	2 1/4	2 1/4	2 1/4	

LINE NO.	NO. OF POLES	* WIRING SPACE WITHIN ENCLOSURES				
		SA	SB	SC	SD	SE
1	2 3	2 1/2 2 1/2	2 1/2 2 1/2	2 3/4 1 3/4	3 1/4 1 3/4	2 3/4 2 3/4
2	2 3	3 3/4 3 3/4	3 3/4 3 3/4	2 3/4 1 3/4	2 3/4 1 3/4	2 3/4 2 3/4
3	2 3	3 1/4 3 1/4	3 1/4 3 1/4	2 1/4 1 3/4	2 1/4 1 3/4	2 3/4 2 3/4
	2 3	4 1/4 4 1/4	7 1/4 7 1/4	3 3/4 3 3/4	5 3/4 3 3/4	3 3/4 3 3/4

\*Distance from breaker to wall of enclosure.

NOTES ON CONDUITE  
 Side holes can be drilled and tapped same size as end holes.  
 Box may be turned end for end if desirable to have conduit openings in reversed location.  
 When smaller conduits are required, a reducer must be used. (Furnished by the customer.)

RU-3707-E