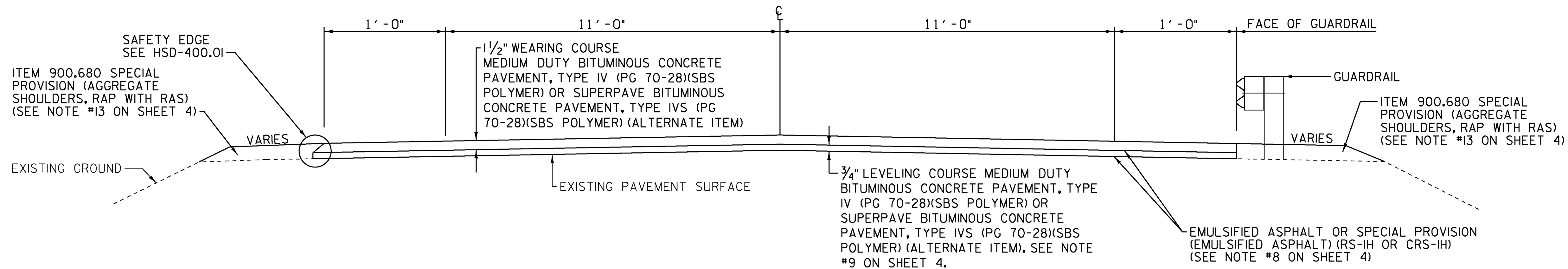
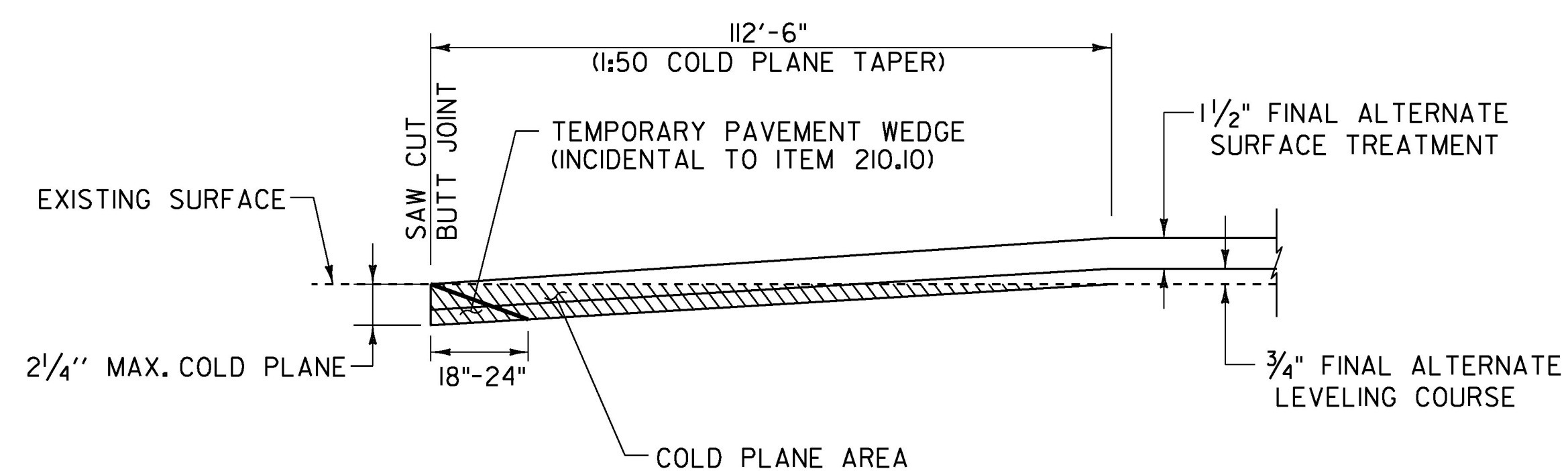


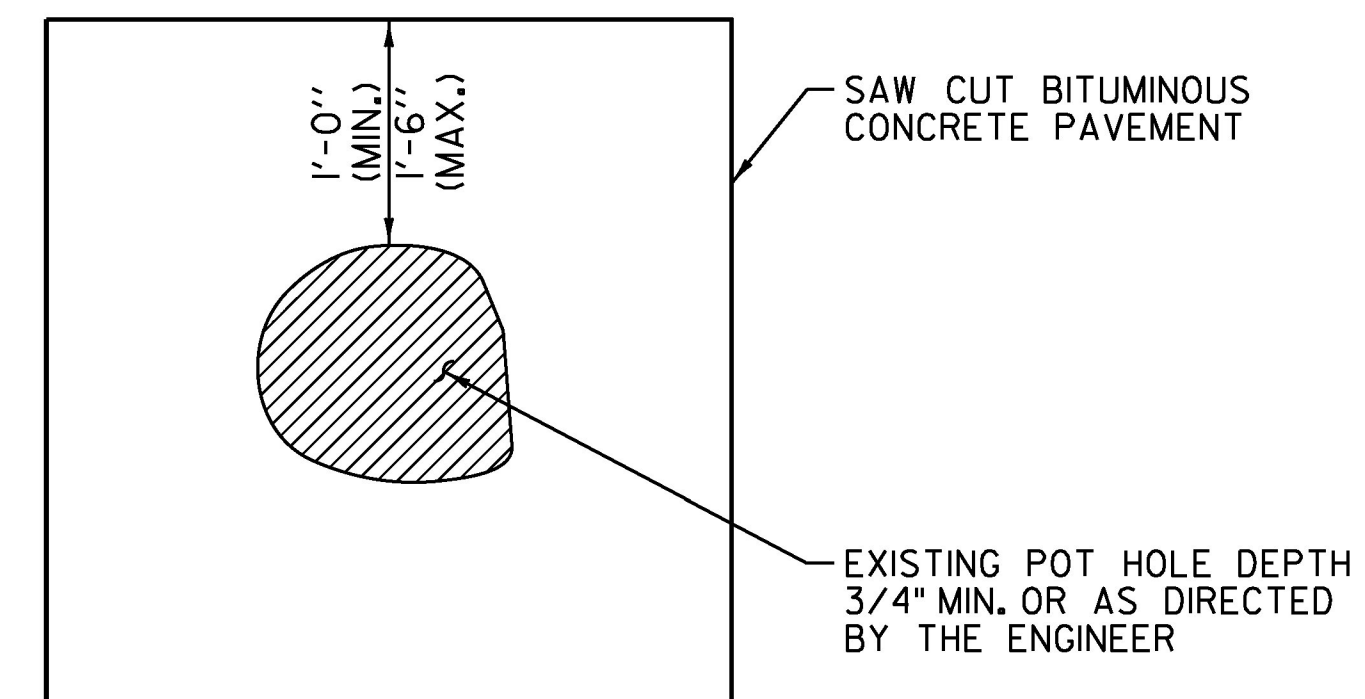
ALTERNATES ZA1 & ZA2



LEVEL AND OVERLAY TYPICAL SECTION



COLD PLANE DETAIL AT BEGIN/END PROJECT



TYPICAL POT HOLE REPAIR

TYPICAL POT HOLE REPAIR NOTES

- ITEM 404.65 EMULSIFIED ASPHALT OR ITEM 900.683 SPECIAL PROVISION (EMULSIFIED ASPHALT) (RS-IH OR CRS-IH) OPTION ITEM SHALL BE APPLIED AT ALL PATCH INTERFACES AT A RATE OF 0.25 - 0.50 GAL/SY. EMULSIFIED ASPHALT SHALL MEET THE REQUIREMENTS OF SECTION 404 AND WILL BE CONSIDERED INCIDENTAL TO ITEM 900.680 SPECIAL PROVISION (BITUMINOUS CONCRETE PAVEMENT SURFACE PREPARATION, TYPE I).
- ALL WORK ASSOCIATED WITH POT HOLE REPAIR WILL BE PAID UNDER ITEM 900.680 SPECIAL PROVISION (BITUMINOUS CONCRETE PAVEMENT SURFACE PREPARATION, TYPE I).

NOT TO SCALE

PROJECT NAME: WEATHERSFIELD-WINDSOR
PROJECT NUMBER: STP FPAV(I3)

FILE NAME: COMP. STP FPAV(I1),(I2) & (I3).dgn PLOT DATE: 04-APR-2018
PROJECT LEADER: B. KIPP DRAWN BY: L. BULLOCK
DESIGNED BY: L. BULLOCK CHECKED BY: B. KIPP
TYPICAL AND DETAIL SHEET SHEET 45 OF 53