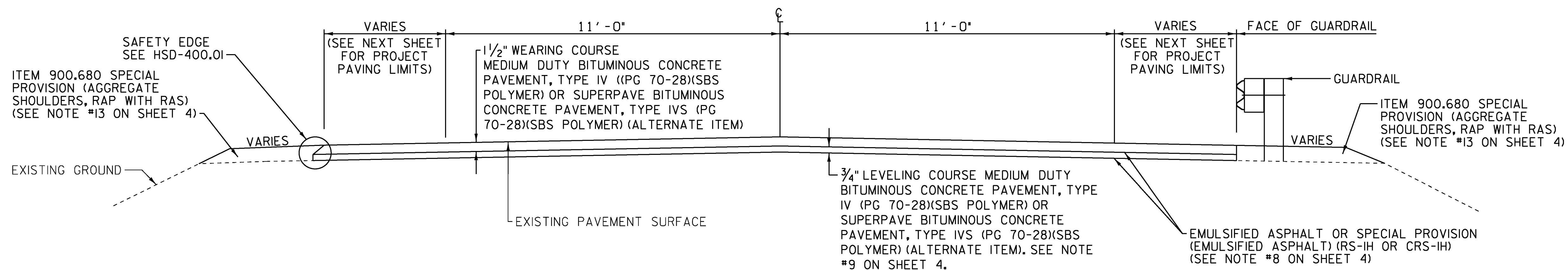


# ALTERNATES ZA1 & ZA2

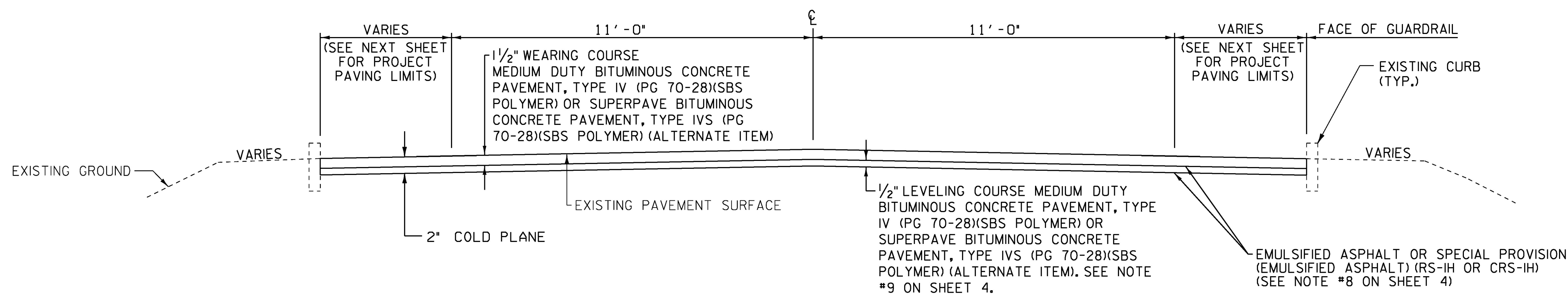


## LEVEL AND OVERLAY TYPICAL SECTION

READING:  
MM 0.000 - MM 0.202

WEST WINDSOR:  
MM 0.000 - MM 3.980  
MM 4.430 - MM 5.044

WINDSOR:  
MM 0.000 - MM 1.607



## COLD PLANE 2" AND OVERLAY TYPICAL SECTION

WEST WINDSOR:  
MM 3.980 - MM 4.430

NOT TO SCALE

PROJECT NAME:	READING-WINDSOR
PROJECT NUMBER:	STP FPAV(II)
FILE NAME:	COMP.STP FPAV(II),(I2) & (I3).dgn
PLOT DATE:	04-APR-2018
PROJECT LEADER:	B. KIPP
DRAWN BY:	L. BULLOCK
DESIGNED BY:	L. BULLOCK
CHECKED BY:	B. KIPP
TYPICAL AND DETAIL SHEET I	SHEET II OF 53