

TEMPORARY 4 INCH WHITE LINE, PAINT
 4 INCH WHITE LINE, WATERBORNE PAINT
 (ALL LINES WILL INCLUDE EDGE LINE
 BREAKS AND RADII FOR SIDE ROADS)
 282+00 TO 310+00 LT & RT (SOLID)

TEMPORARY 4 INCH YELLOW LINE, PAINT
 4 INCH YELLOW LINE, WATERBORNE PAINT
 (ALL LINES WILL INCLUDE ϕ
 BREAKS FOR SIDE ROADS)
 282+00 TO 310+00 LT & RT (SOLID)

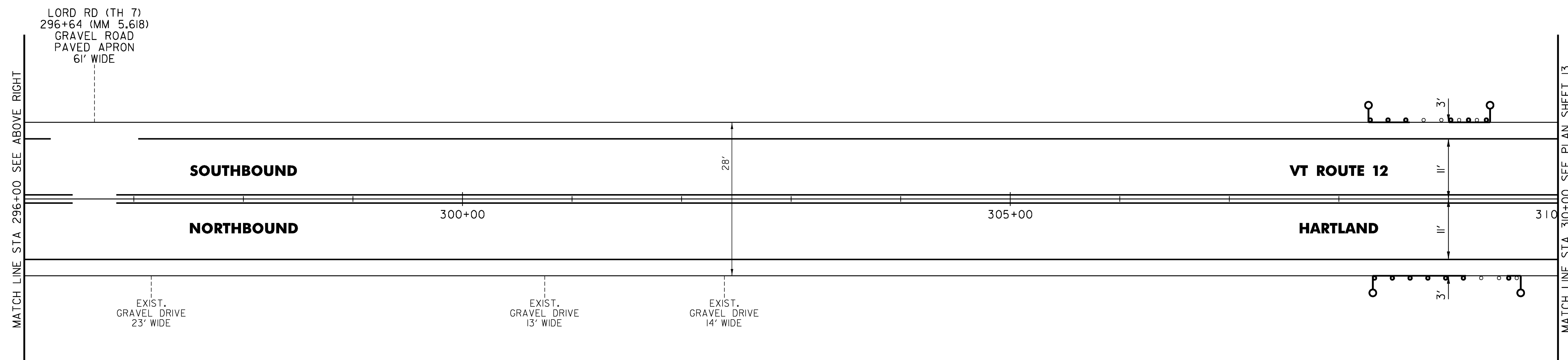
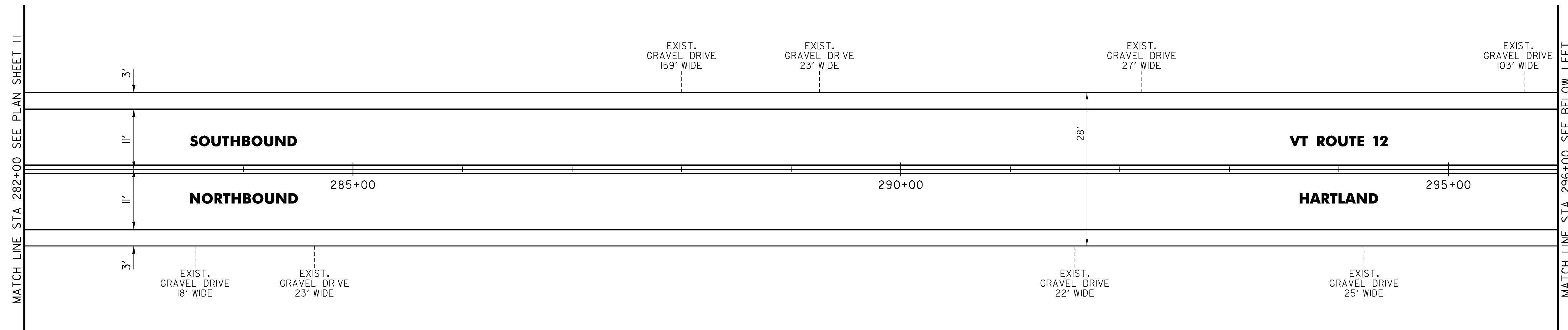
STEEL BEAM GUARDRAIL, GALVANIZED
 308+27 TO 308+64.5 LT
 308+31 TO 308+68.5 RT
 309+00.5 TO 309+38 LT

ADJUST HEIGHT OF GUARDRAIL
 308+68.5 TO 309+16 RT
 309+53.5 TO 309+66 RT

REMOVAL AND DISPOSAL OF GUARDRAIL
 308+27 TO 308+64.5 LT
 308+31 TO 308+68.5 RT
 309+00.5 TO 309+38 LT

ANCHOR FOR STEEL BEAM RAIL
 308+39.5 LT
 308+43.5 RT
 309+25.5 LT

DELINEATOR WITH STEEL POST
 308+27 LT
 308+31 RT
 309+38 LT
 309+66 RT



NOT TO SCALE

PROJECT NAME:	HARTLAND	PLOT DATE:	4/14/2017
PROJECT NUMBER:	STP FPAV(8)	DRAWN BY:	S. GOODWIN
FILE NAME:	z16vl47bdr.dgn	CHECKED BY:	P. SHEDD
DESIGNED BY:	N. LEMAY	PLAN SHEET 12	SHEET 27 OF 33