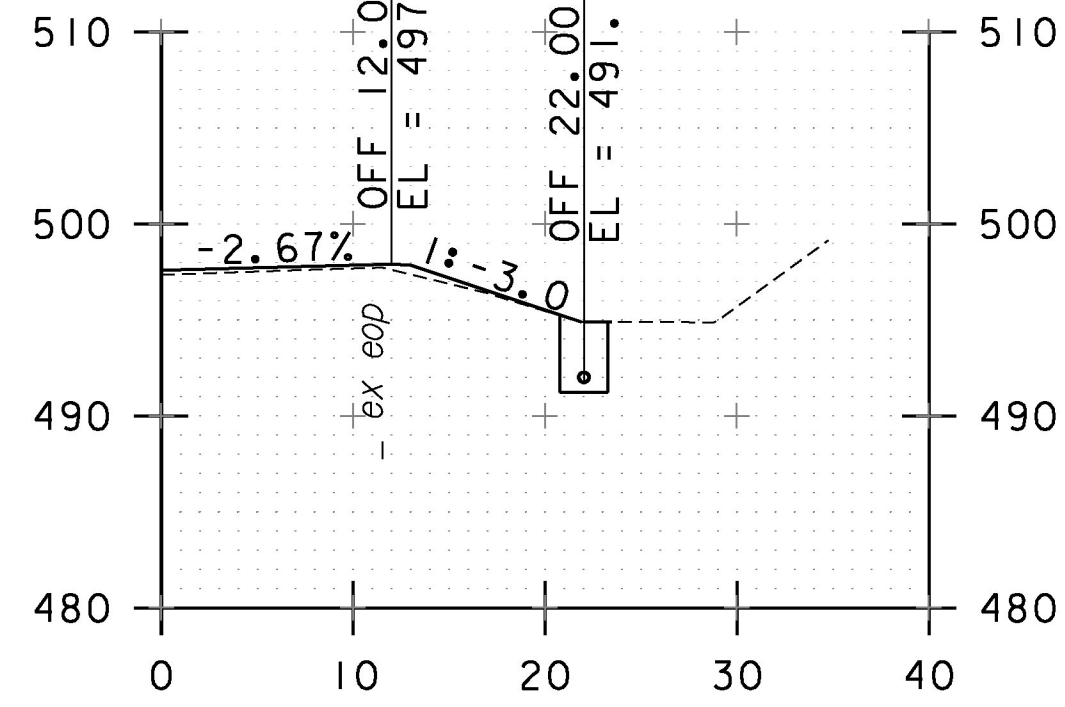
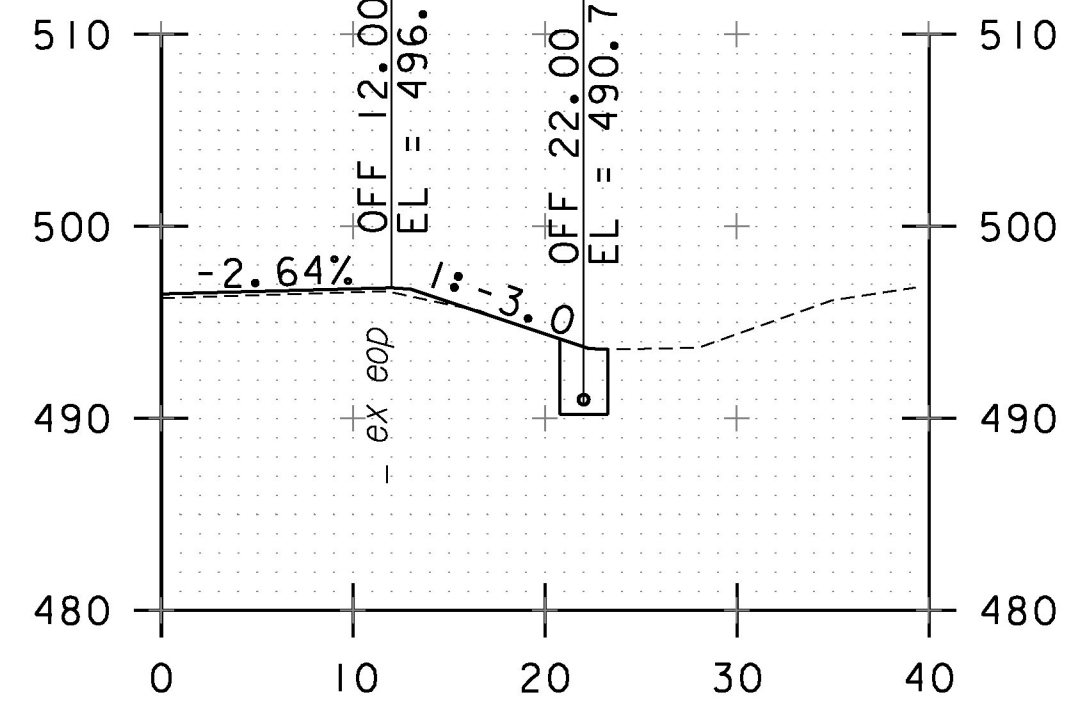


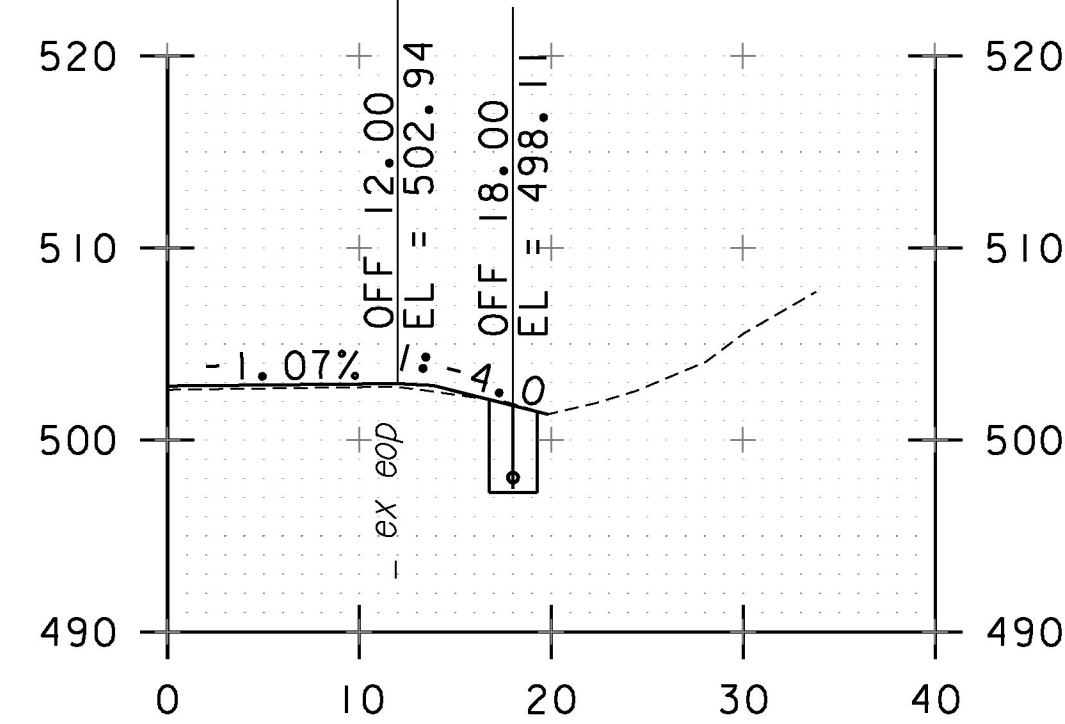
32+50



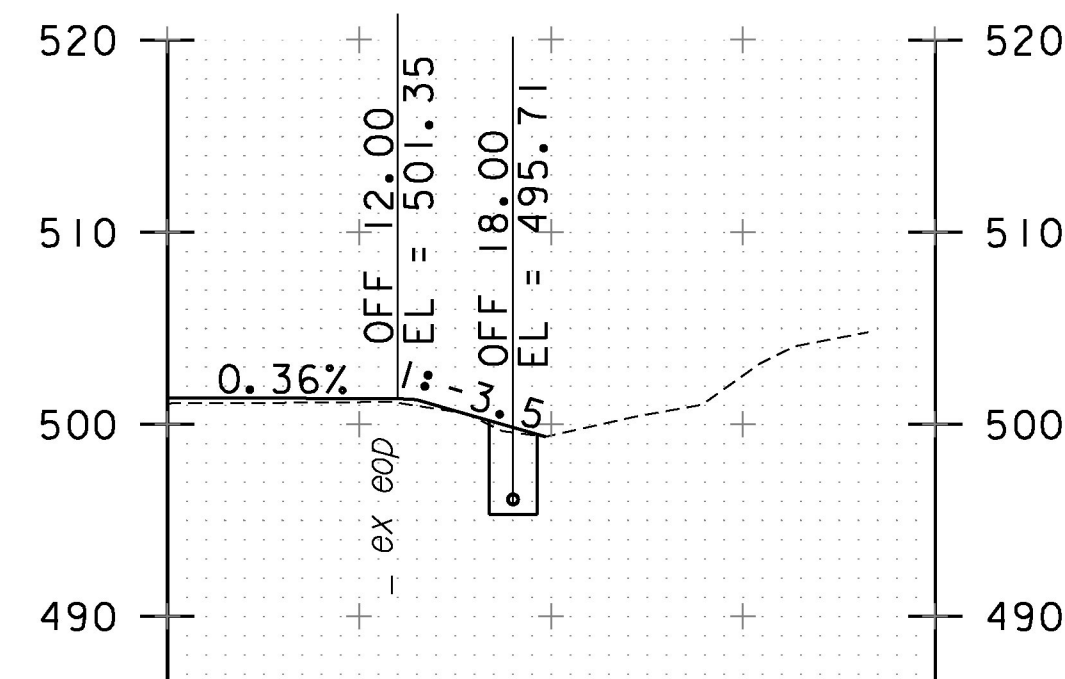
32+00



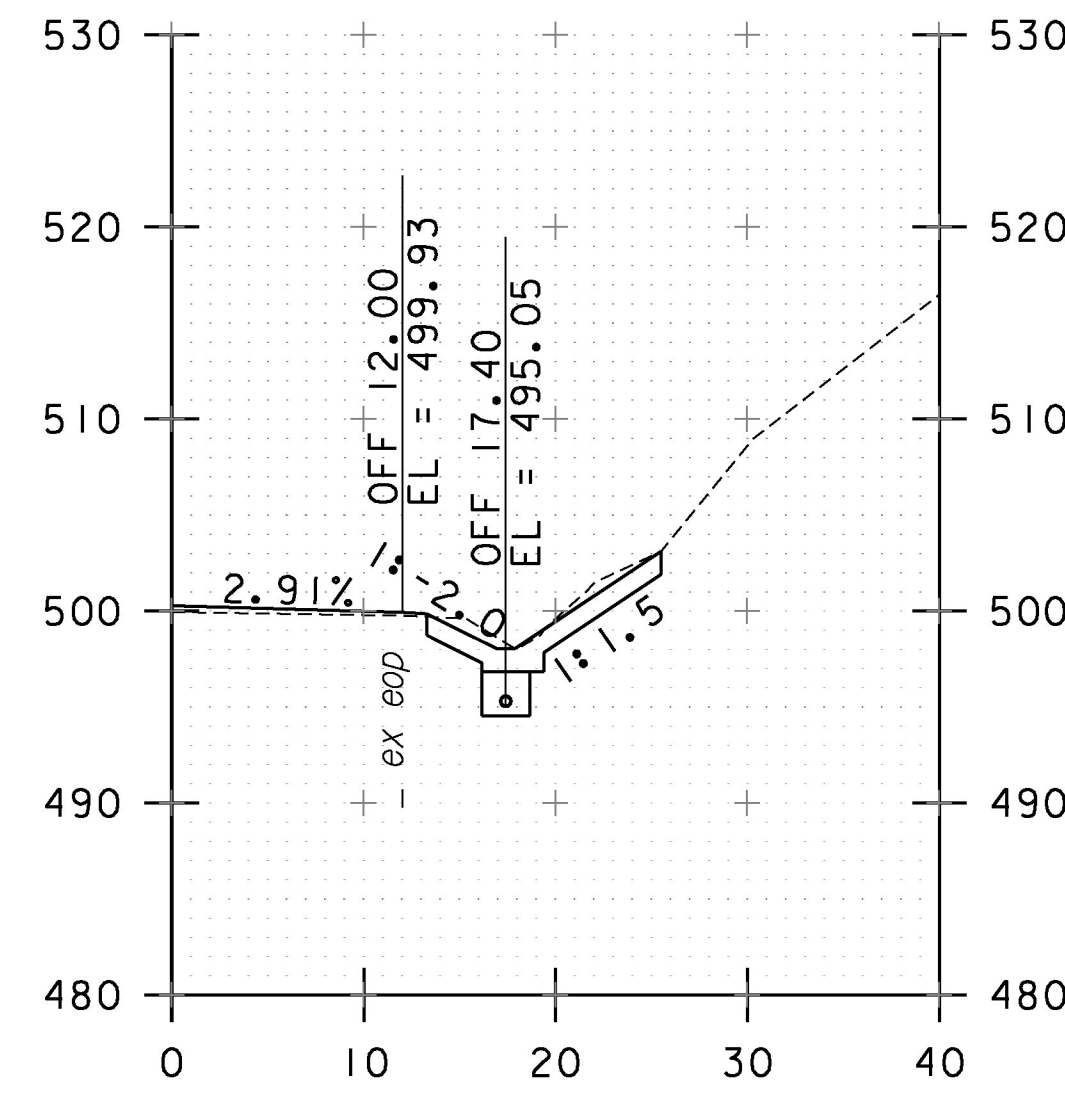
31+50



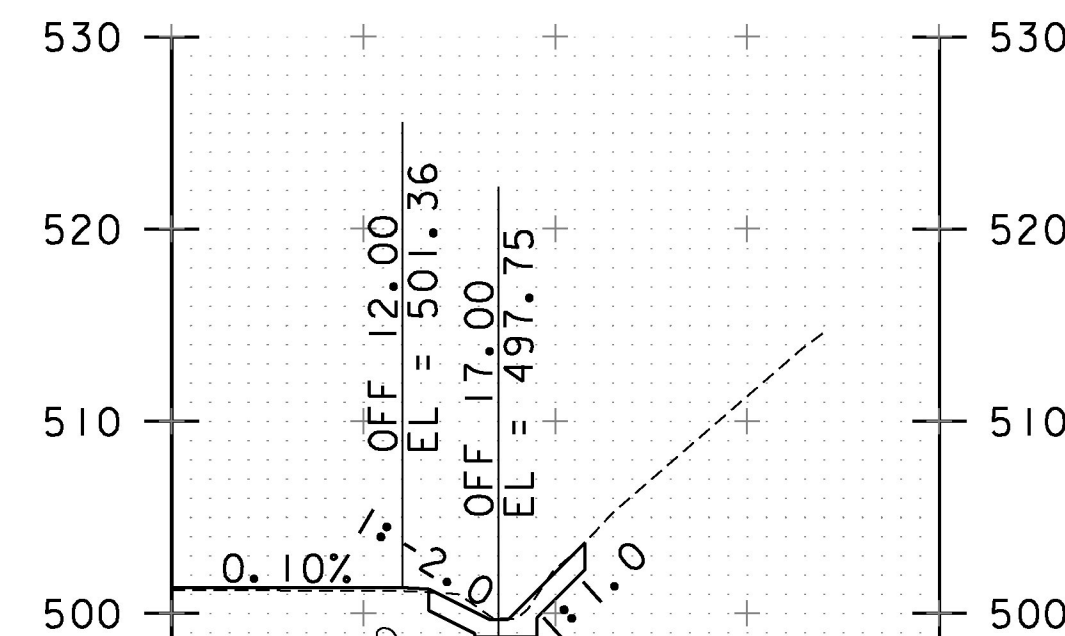
33+50



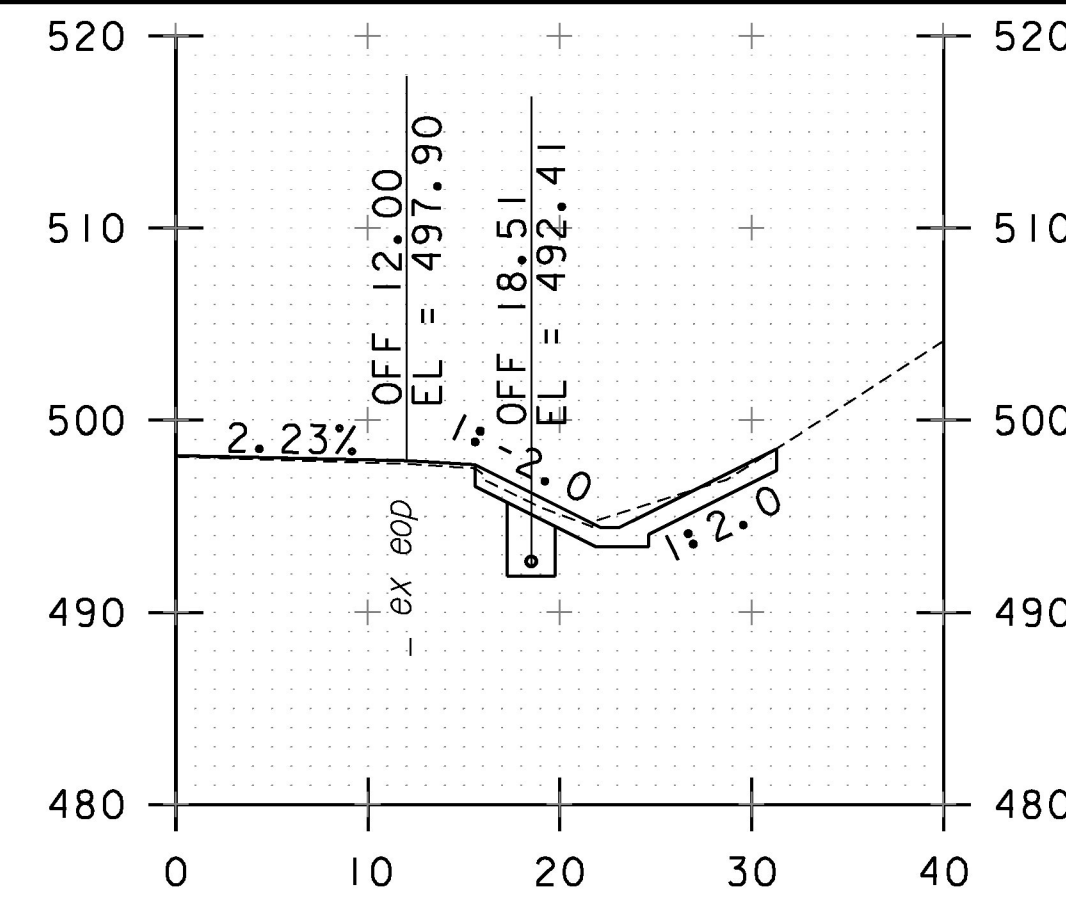
33+00



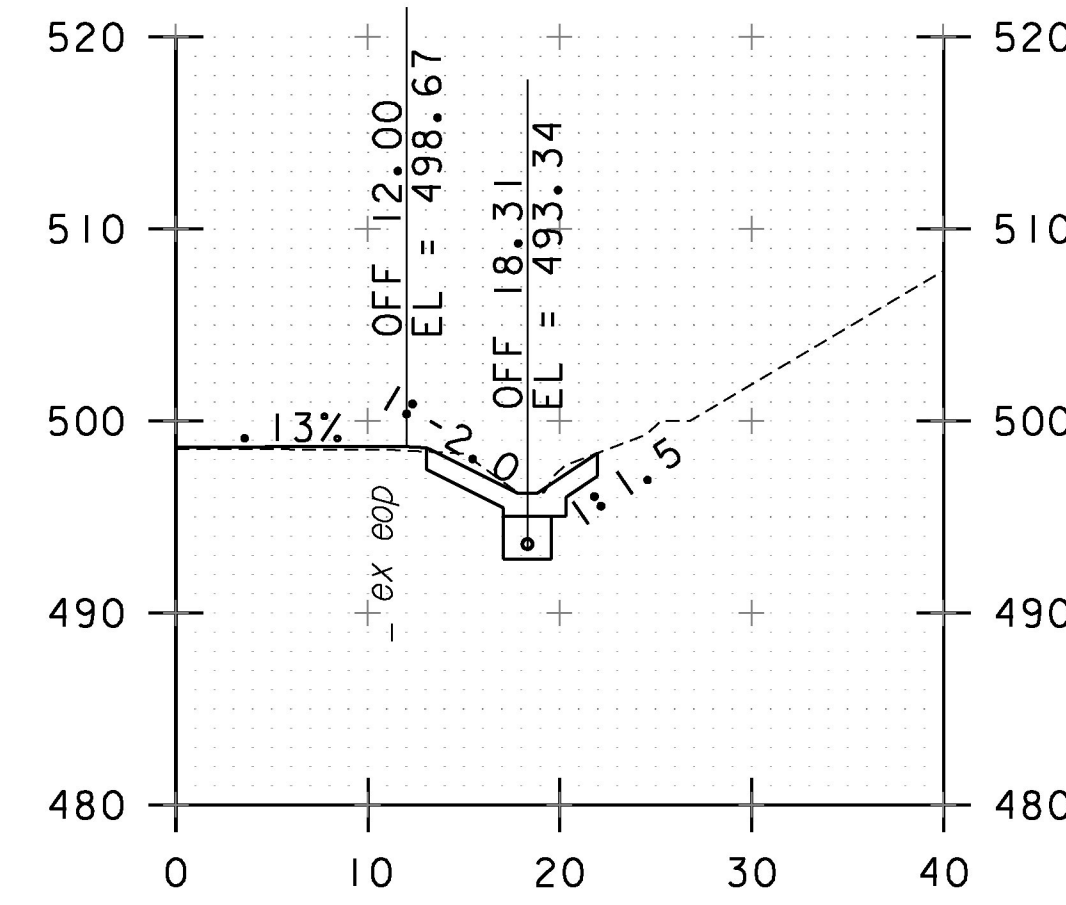
35+50



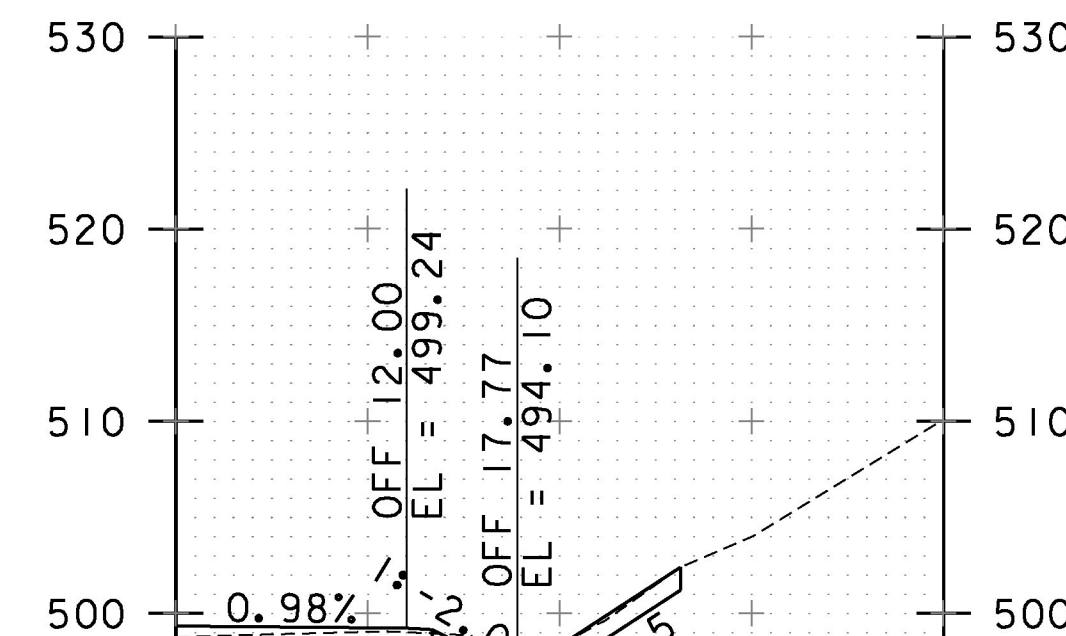
35+00



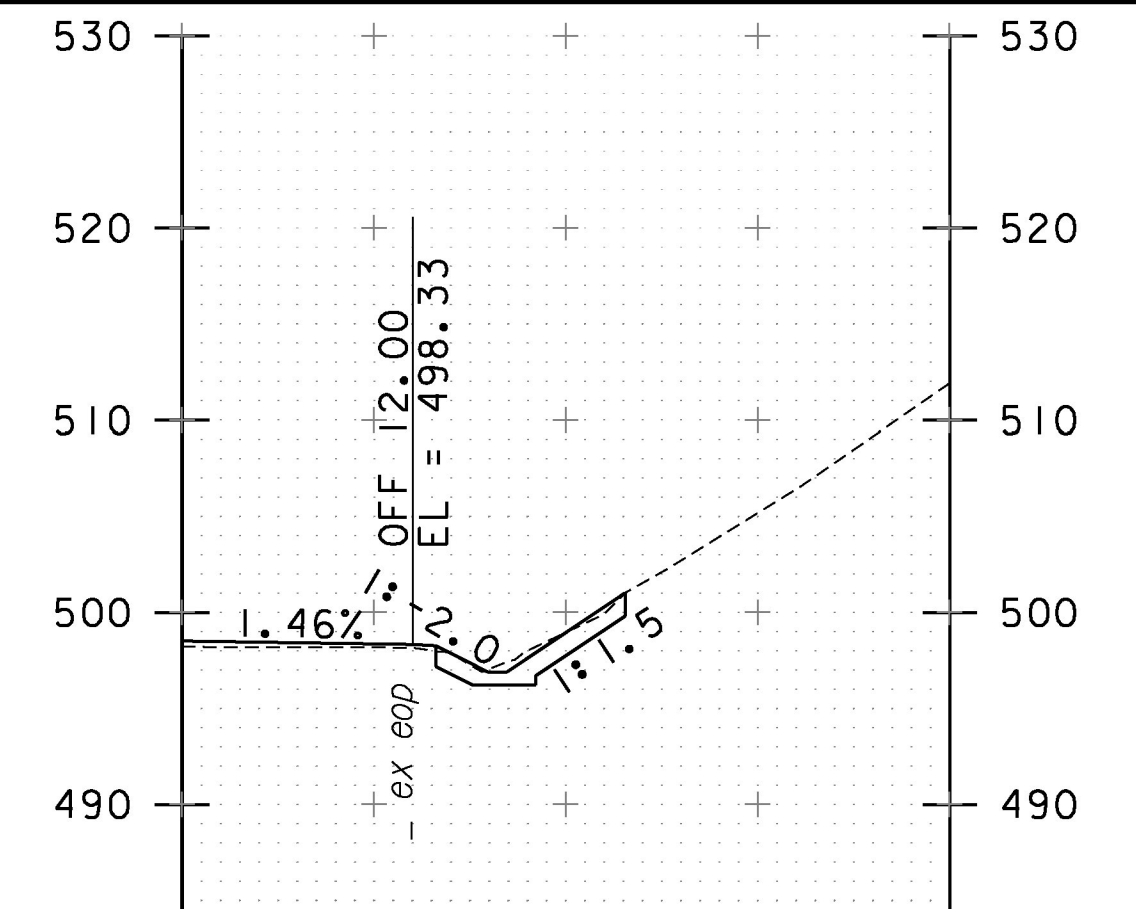
37+00



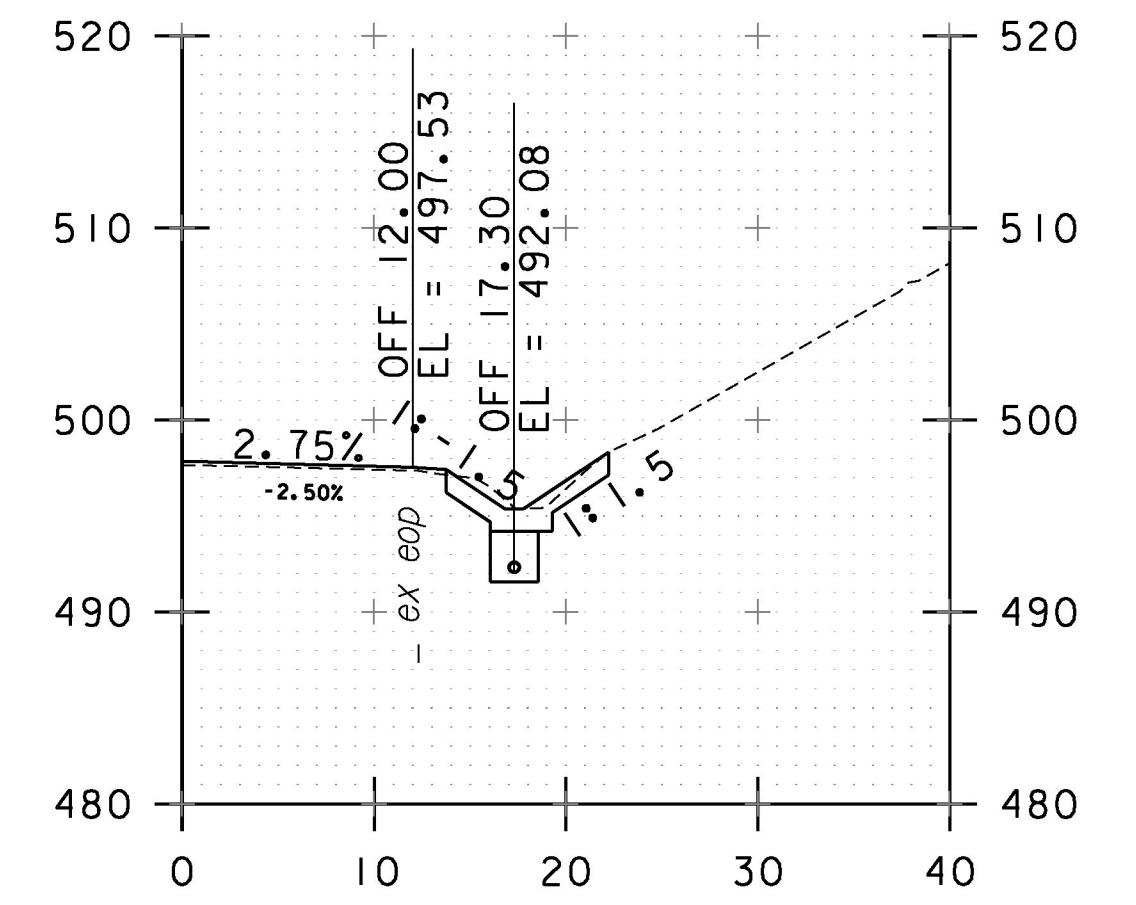
36+50



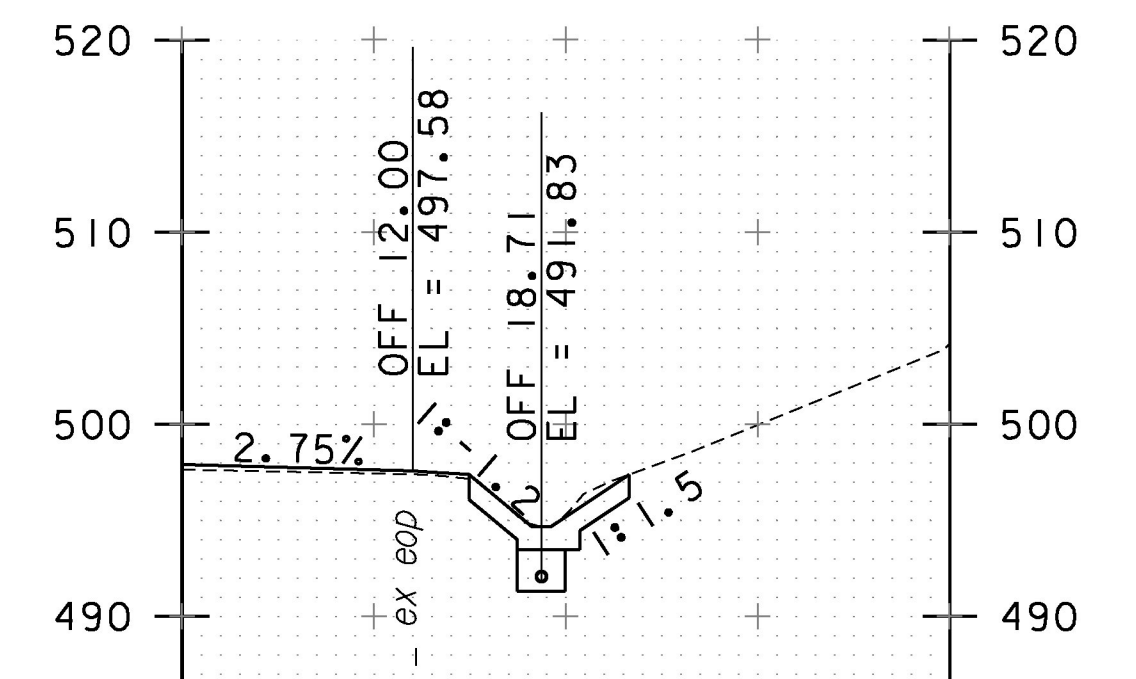
36+00



44+00



38+00



37+50

PROJECT NAME:	RICHFORD	PLOT DATE:	4/2/2018
PROJECT NUMBER:	STP 2916(I)	DRAWN BY:	G. BURGMEIER
FILE NAME:	z10c234xs.dgn	DESIGNED BY:	G. BURGMEIER
PROJECT LEADER:	G. EDWARDS	CHECKED BY:	J. LITTLE
UNDERDRAIN CROSS SECTION SHEET 5			SHEET 203 OF 222

