

STONE FILL, TYPE I  
SLOPE EROSION PREVENTION WITH GUARDRAIL  
STA. 31+51.0 TO 34+00, LT  
(SEE SHEET 168)

REMOVE AND RESET GUARDRAIL  
STA. 31+88.5 TO 34+00.0, LT

REMOVAL AND DISPOSAL OF GUARDRAIL  
STA. 31+51.0 TO 31+88.5, LT

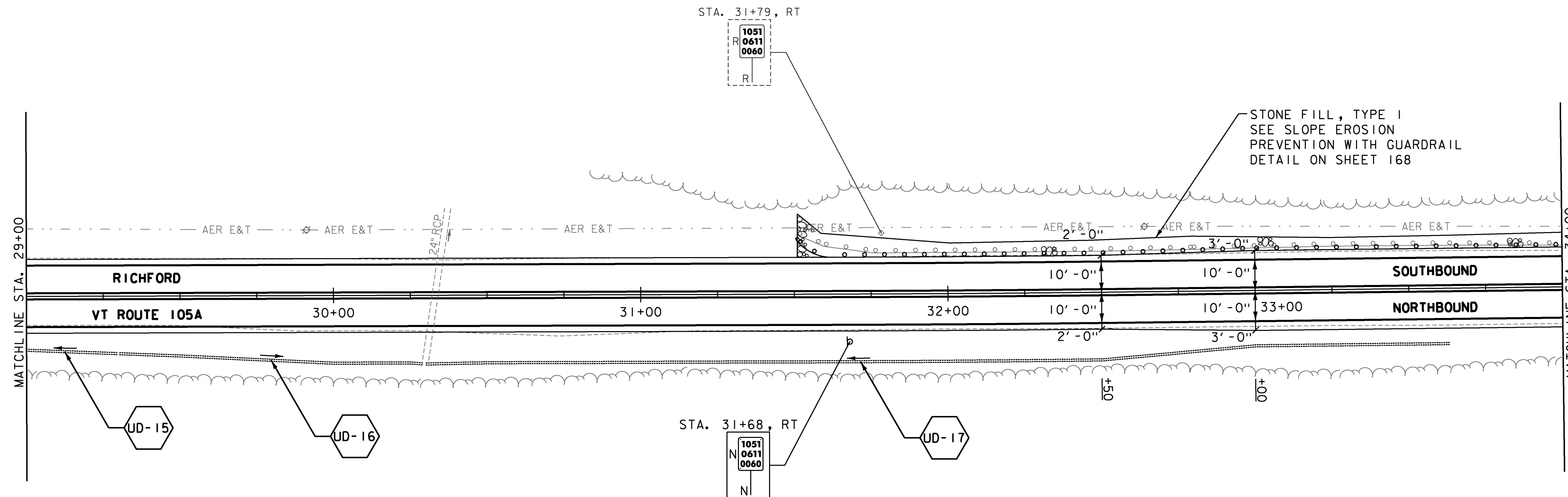
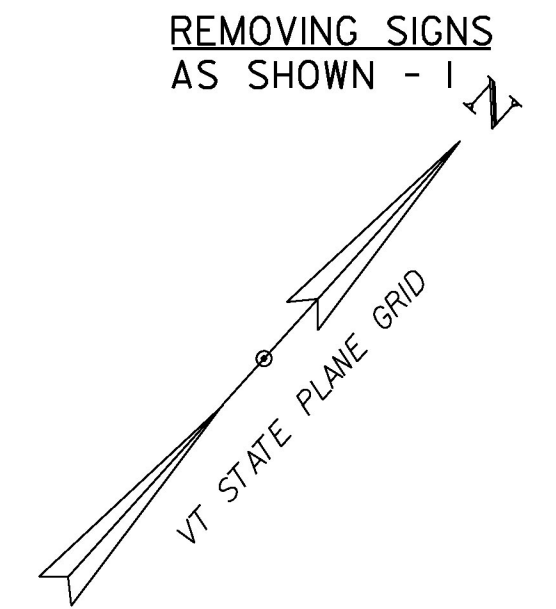
DURABLE 4 INCH WHITE LINE, (OPTION DD BID ITEMS)  
TEMPORARY 4 INCH WHITE LINE, PAINT  
(ALL LINES WILL INCLUDE EDGE LINE BREAKS  
AND RADII FOR SIDE ROADS)  
STA. 29+00 TO 34+00, SOLID LT & RT

DURABLE 4 INCH YELLOW LINE, (OPTION CC BID ITEMS)  
TEMPORARY 4 INCH YELLOW LINE, PAINT  
(ALL LINES WILL INCLUDE  $\phi$  BREAKS FOR SIDE ROADS)  
STA. 29+00 TO 34+00, SOLID LT & RT

REMOVING SIGNS  
AS SHOWN - 1

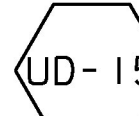
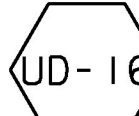
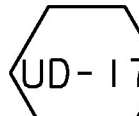
STEEL BEAM GUARDRAIL, GALVANIZED  
STA. 31+51.0 TO 31+88.5, LT

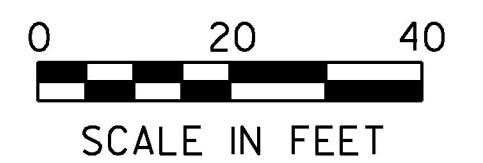
ANCHOR FOR STEEL BEAM RAIL  
STA. 31+51.0, LT



**NOTES:**

1. FOR LEGENDS SEE SHEETS 3 & 176.
2. ALL EXISTING SIGNS NOT SHOWN ON THE PLANS SHALL BE RETAINED.
3. ALL UTILITY LOCATIONS SHOWN ARE APPROXIMATE AND SHOULD BE VERIFIED PRIOR TO ANY WORK COMMENCING.

- 
 STA. 27+61 TO 29+30, RT  
CONSTRUCT 6 INCH UNDERDRAIN PIPE,  
SEE SHEETS 165 & 166 FOR DETAILS AND  
ASSOCIATED QUANTITIES
- 
 STA. 29+31 TO 30+29, RT  
CONSTRUCT 6 INCH UNDERDRAIN PIPE,  
SEE SHEETS 165 & 166 FOR DETAILS AND  
ASSOCIATED QUANTITIES
- 
 STA. 30+30 TO 33+63, RT  
CONSTRUCT 6 INCH UNDERDRAIN PIPE,  
SEE SHEETS 165 & 166 FOR DETAILS AND  
ASSOCIATED QUANTITIES



PROJECT NAME: RICHFORD	
PROJECT NUMBER: STP 2916(I)	
FILE NAME: z10c234bdr.dgn	PLOT DATE: 4/2/2018
PROJECT LEADER: G. EDWARDS	DRAWN BY: G. BURGMEIER
DESIGNED BY: G. BURGMEIER	CHECKED BY: J. LITTLE
PLAN SHEET 7	SHEET 183 OF 222

