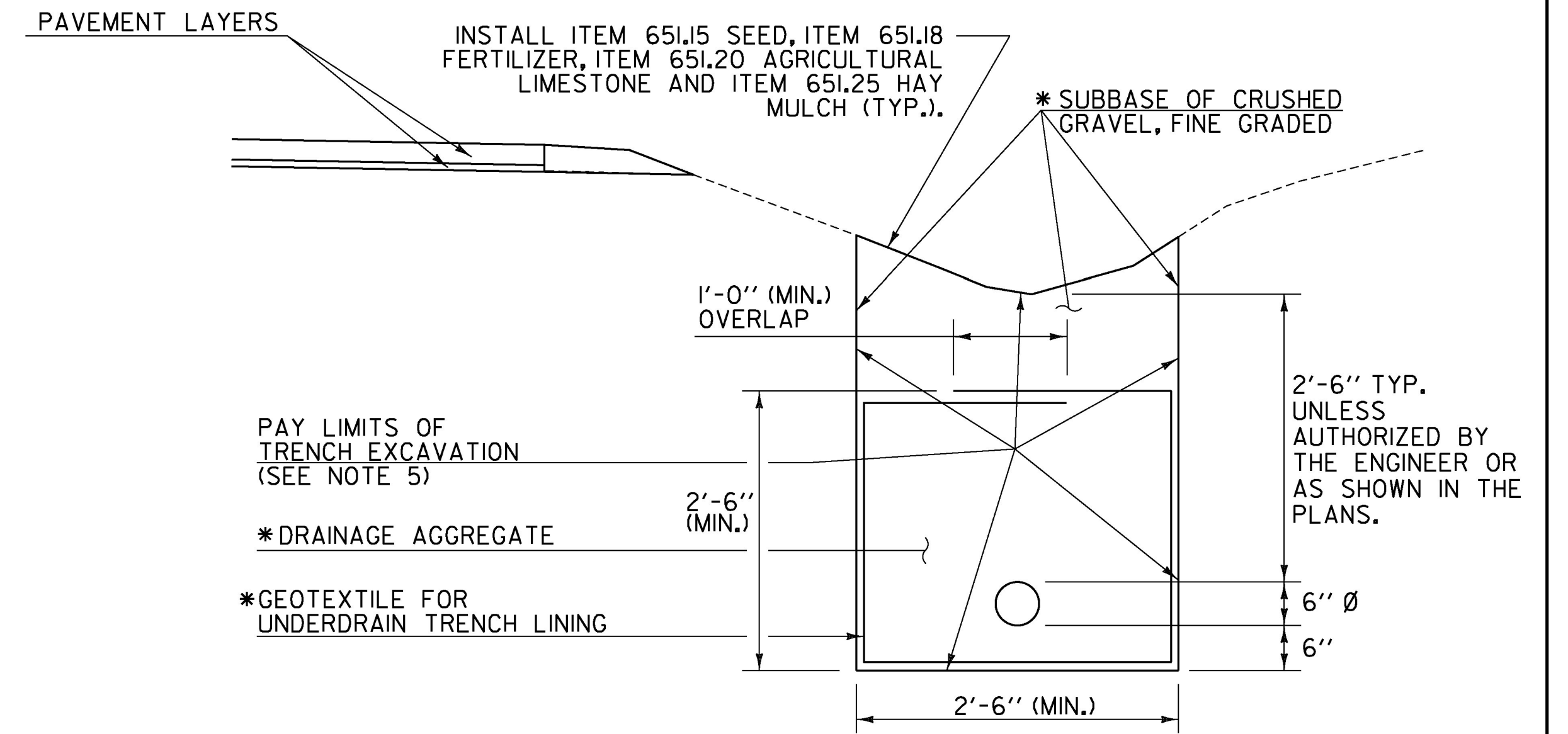


LOCATION					UNDERDRAIN				MISC. ITEMS			REMARKS
PIPE NO.	OUTLET INVERT	BEGIN STA.	END STA.	POS.	204.20	605.10	619.17	900.620	*	*	*	
					TRENCH EXCAVATION OF EARTH CY	6 INCH UNDERDRAIN PIPE LF	YIELDING MARKER POSTS EA	CORING CONCRETE EA	DRAINAGE AGGREGATE CY	GEOTEXTILE FABRIC SY	SUBBASE OF CRUSHED GRAVEL TON	
VT ROUTE 105A												
RICHFORD												
		1+86										
UD-1	492.10	4+60	5+82	RT	123	444 398	1		123	522	46	OUTLET TO SLOPE/CULVERT
UD-2	492.10	5+83	7+24	RT	42	141 144	1		42	178	16	OUTLET TO SLOPE/CULVERT
UD-3	492.10	7+25	8+08	RT	25	88 86	1		25	105	9	OUTLET TO SLOPE/CULVERT
UD-4	492.10	8+10	8+90	RT	24	80	1		24	101	9	OUTLET TO SLOPE/CULVERT
UD-5	488.75	9+55	10+78	RT	36	123 113	1		36	155	14	OUTLET TO SLOPE/CULVERT
UD-6	488.75	10+79	12+50	RT	51	171	1		51	215	19	OUTLET TO SLOPE/CULVERT
UD-7	489.73	13+00	14+84	RT	55	184 181	1		55	232	21	OUTLET TO SLOPE/CULVERT
UD-8	489.73	14+85	16+66	RT	54	181 183	1		54	228	20	OUTLET TO SLOPE/CULVERT
UD-9	492.12	16+67	17+55	RT	26	88 100	0	1	26	111	10	OUTLET TO EXISTING DI
UD-10	492.60	18+59	20+20	RT	48	161 164	1		48	203	18	OUTLET TO SLOPE/CULVERT
UD-11	493.09	20+29	21+00	RT	21	71	0		21	89	8	OUTLET TO SLOPE/CULVERT
UD-12	491.96	21+93	23+35	RT	42	142 145	1		42	179	16	OUTLET TO SLOPE/CULVERT
UD-13	490.58	24+04	26+36	RT	69	232	1		69	292	26	OUTLET TO SLOPE/CULVERT
UD-14	492.48	26+37	27+60	RT	36	123 127	1		36	155	14	OUTLET TO SLOPE/CULVERT
UD-15	492.48	27+61	29+30	RT	50	169	1		50	213	19	OUTLET TO SLOPE/CULVERT
UD-16	490.13	29+31	30+29	RT	29	98	1		29	123	11	OUTLET TO SLOPE/CULVERT
UD-17	490.13	30+30	33+63	RT	99	333	1		99	420	37	OUTLET TO SLOPE/CULVERT
UD-18	491.71	35+00	37+27	RT	67	227	1		67	286	25	OUTLET TO SLOPE/CULVERT
UD-19	491.71	37+28	38+00	RT	21	72	1		21	91	8	OUTLET TO SLOPE/CULVERT
UD-19E		38+10	39+71	RT		161						
UD-20	491.33	46+85	50+26	RT	101	341	1	1	101	430	38	OUTLET TO EXISTING DI
UD-21	491.33	50+27	51+40	RT	34	113	1	1	34	142	13	OUTLET TO EXISTING DI
UD-22	491.69	52+00	52+87	RT	26	87	1		26	110	10	OUTLET TO SLOPE/CULVERT
UD-23	491.69	52+88	54+45	RT	47	157	1		47	198	18	OUTLET TO SLOPE/CULVERT
UD-24	494.35	54+90	55+70	RT	24	80	1		24	101	9	OUTLET TO SLOPE/CULVERT
UD-25	496.17	57+46 56+80	58+55	RT	52	175 109	1		52	221	20	OUTLET TO SLOPE/CULVERT
UD-26	494.37	58+57	60+24	RT	50	167	1		50	210	19	OUTLET TO SLOPE/CULVERT
UD-27	494.37	60+26	64+71	RT	132	445	1		132	561	50	OUTLET TO SLOPE/CULVERT
UD-28	500.83	69+00	69+80	RT	24	80	0		24	101	9	OUTLET TO SLOPE/CULVERT
UD-29	500.83	69+83	72+19	RT	70	236	0		70	297	26	OUTLET TO SLOPE/CULVERT
UD-30	501.87	72+20	72+73	RT	16	53	1		16	67	6	OUTLET TO SLOPE/CULVERT
UD-31	500.76	72+75	75+44	RT	80	269	1		80	339	30	OUTLET TO SLOPE/CULVERT
UD-32	498.66	76+00	77+85	RT	55	185	1		55	233	21	OUTLET TO SLOPE/CULVERT
UD-33	496.66	77+86	78+75	RT	26	87	1		26	110	10	OUTLET TO SLOPE/CULVERT
UD-34	495.56	79+91	86+75 14	RT	203	604 623	1		203	862	77	OUTLET TO SLOPE/CULVERT
SHEET SUBTOTALS					1858	6252 6120	30	3	1858	7880	702	
ROUNDING					-	48	-	-				
TOTAL					1858 *	6300	30 *	3				

* ITEM CARRIED FORWARD TO THE QUANTITY SHEETS, DETAILED SUMMARY OF QUANTITIES. SEE SHEETS I70 - I71.



6 INCH UNDERDRAIN DETAIL
NOT TO SCALE

NOTES:

1. GEOTEXTILE FOR UNDERDRAIN TRENCH LINING SHALL NOT BE PLACED AROUND UNDERDRAIN WHEN COVER ABOVE PIPE IS LESS THAN ONE FOOT.
2. DRAINAGE AGGREGATE SHALL MEET THE REQUIREMENTS OF SUBSECTION 704J.6.
3. * GEOTEXTILE FOR UNDERDRAIN TRENCH LINING, DRAINAGE AGGREGATE AND SUBBASE OF CRUSHED GRAVEL, FINE GRADED ARE INCLUDED IN THE UNIT PRICE BID FOR PAY ITEM 605.10 6 INCH UNDERDRAIN PIPE.
4. FOR ADDITIONAL DETAILS IN CROSS SECTION VIEW, SEE SHEETS 199-209.
5. IN LOCATIONS WHERE UNDERDRAIN IS TO BE INSTALLED ALONG WITH A STONE LINED DITCH AND/OR SLOPE STABILIZATION, THE MEASUREMENT FOR TRENCH EXCAVATION SHALL BE FROM THE BOTTOM OF THE EXCAVATION FOR THE OTHER FEATURE(S) TO THE BOTTOM OF THE UNDERDRAIN TRENCH.

PROJECT NAME: RICHFORD
PROJECT NUMBER: STP 2916(I)

FILE NAME: z10c234de+all.dgn
PROJECT LEADER: G. EDWARDS
DESIGNED BY: G. BURGMEIER
UNDERDRAIN DETAIL SHEET 1

PLOT DATE: 4/2/2018
DRAWN BY: G. BURGMEIER
CHECKED BY: J. LITTLE
SHEET 165 OF 222

