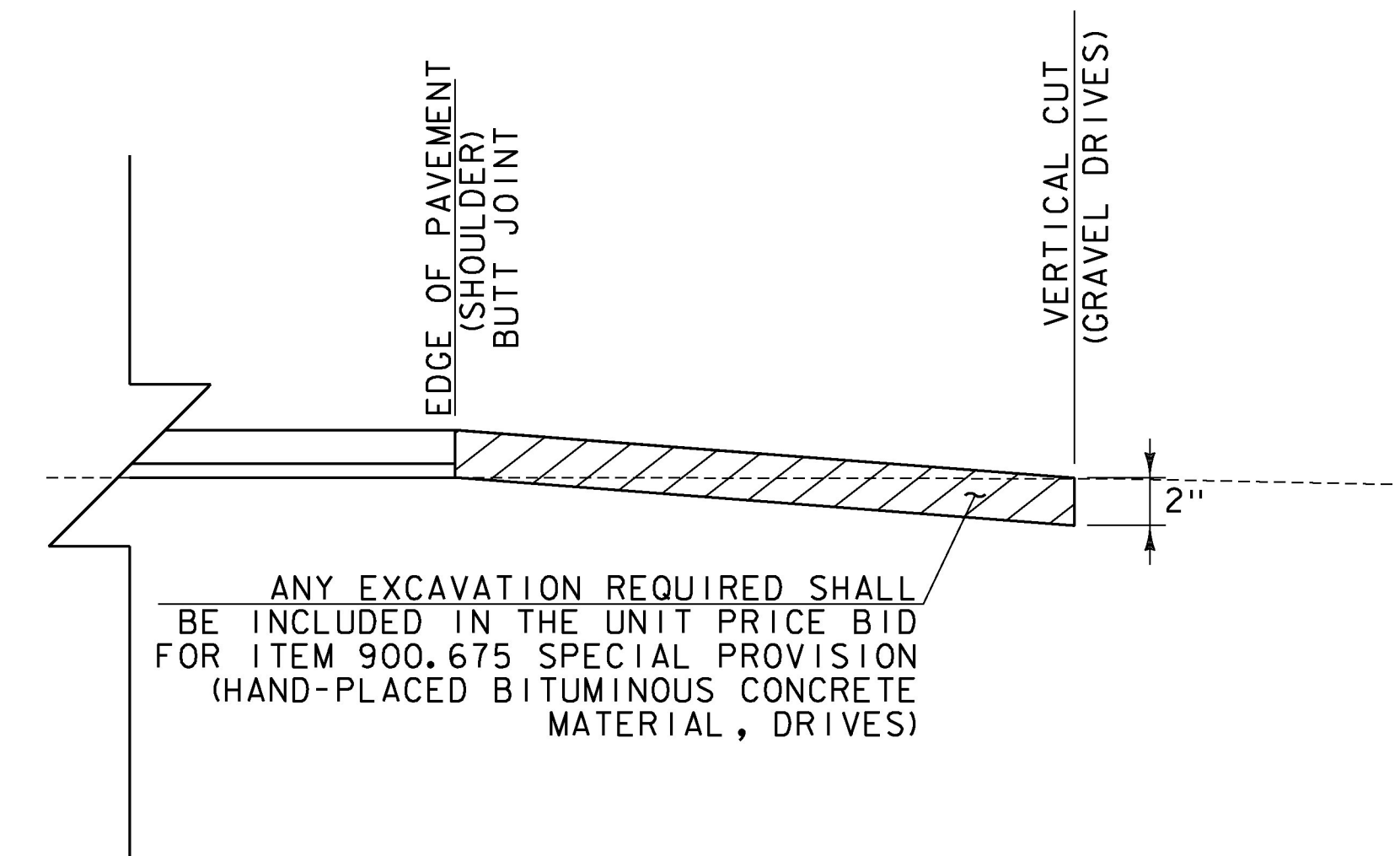
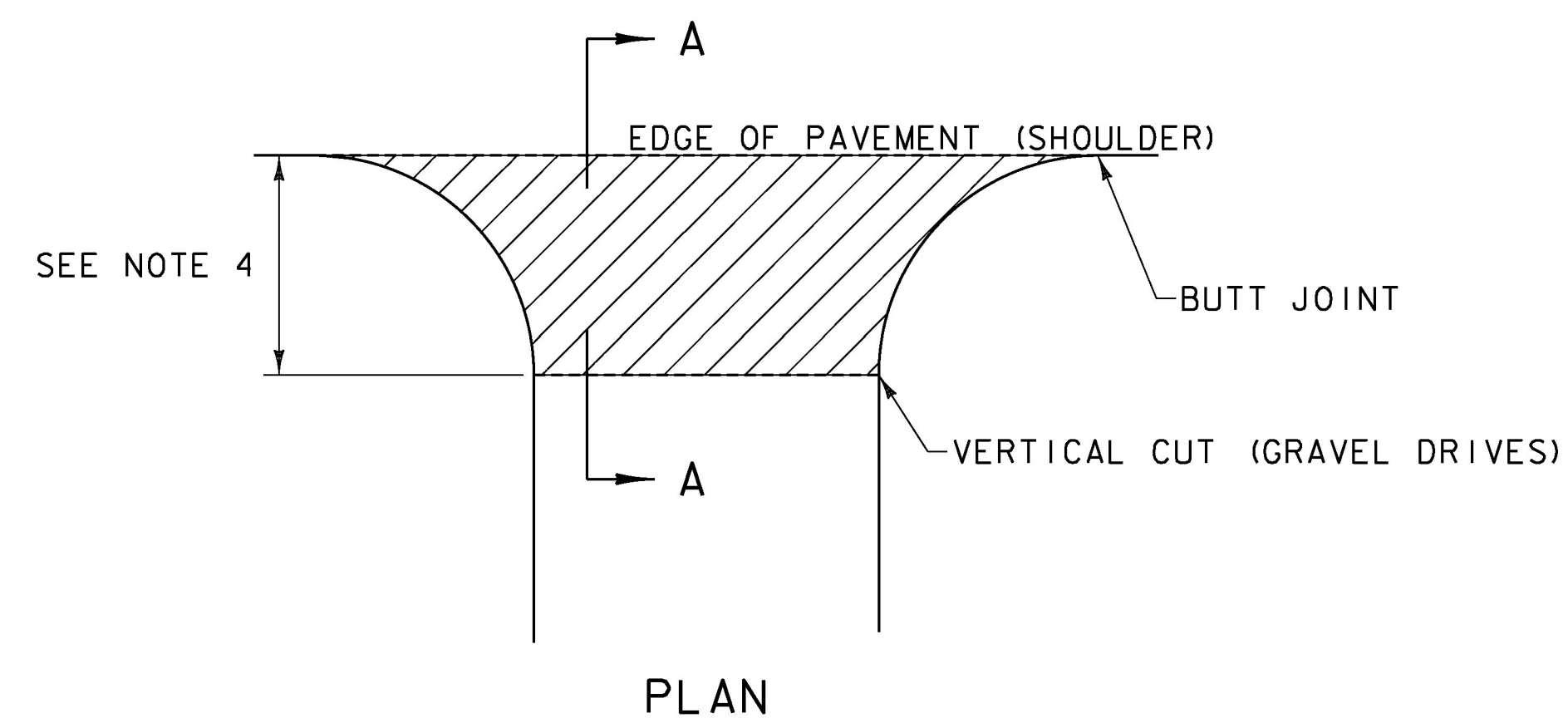


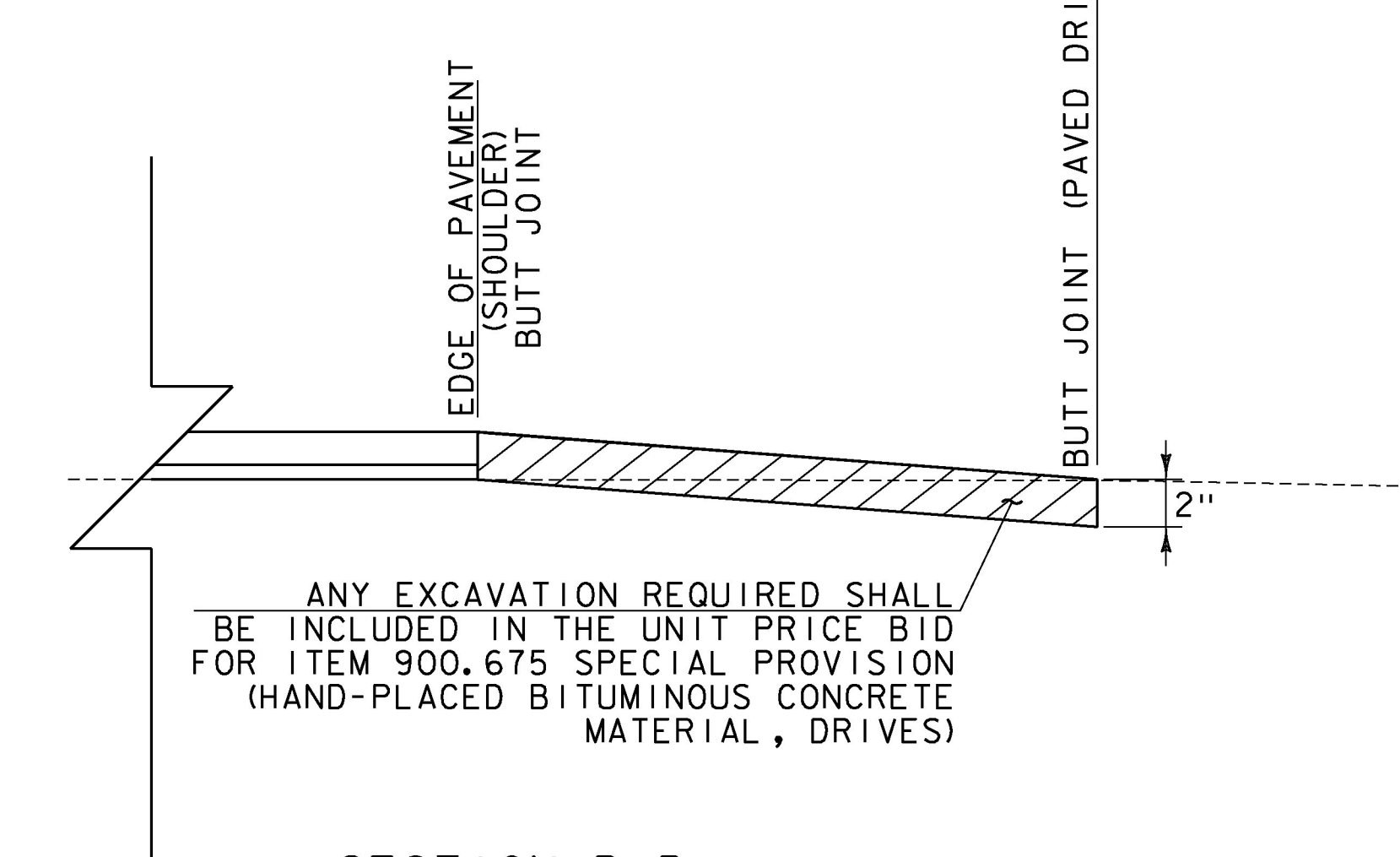
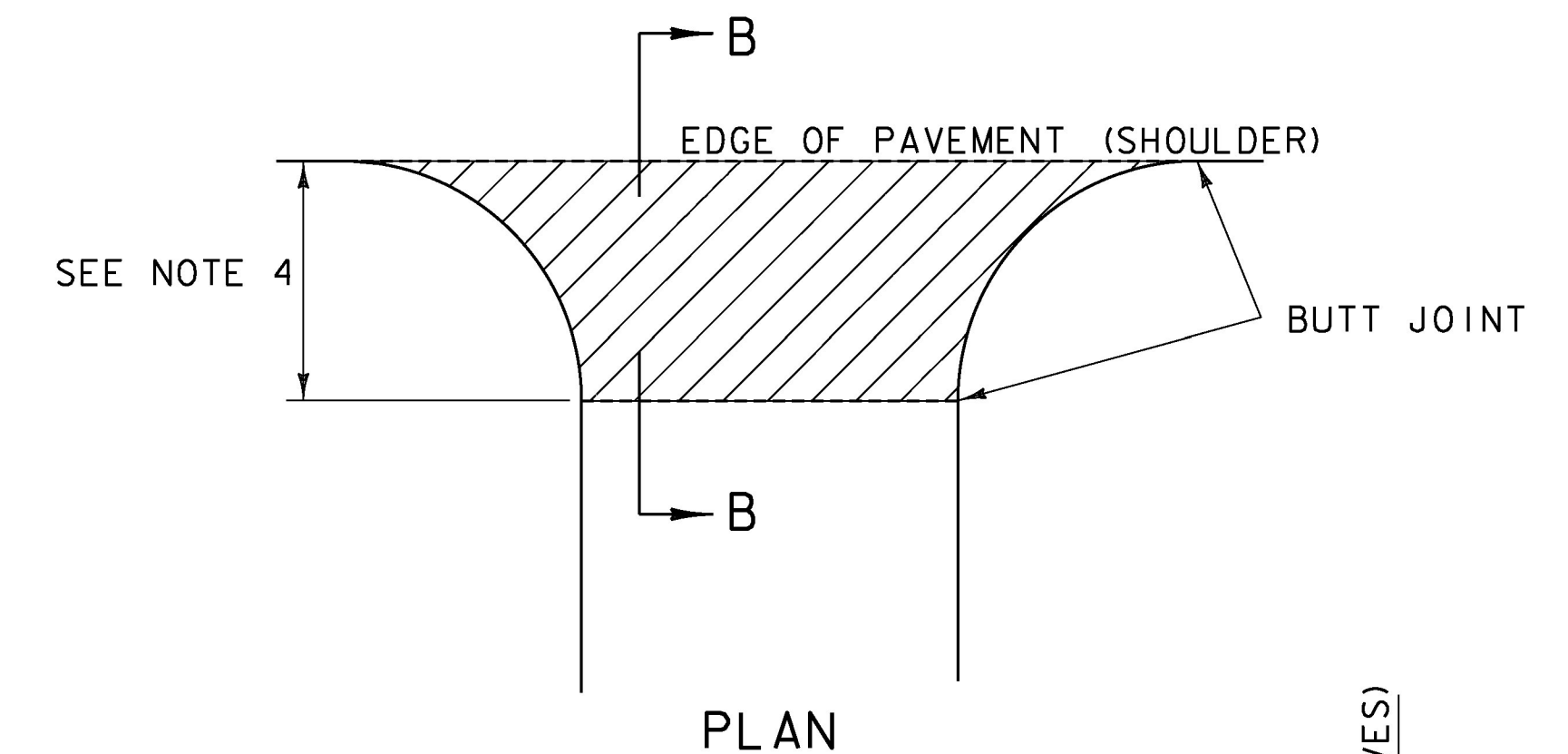
STATION	POSITION	QUANTITY (SY)
VT ROUTE 105A		
RICHFORD		
2+66	LT	27
18+12	RT	19
23+58	RT	6
51+40	LT	5
56+67	RT	9
79+95	LT	6
89+12	RT	63
91+14	RT	22
SUBTOTAL		157
ROUNDING		3
TOTAL		160

NOTES:

- PAVING DEPTH SHALL BE A MINIMUM OF 1 1/2" AND A MAXIMUM OF TWO INCH.
- THE COST OF PROVIDING AND PLACING SUBBASE MATERIAL, CLEANING EXISTING PAVED SURFACES, INCLUDING POWER EQUIPMENT, AND FOR FILLING JOINTS, CRACKS AND HOLES WILL NOT BE PAID DIRECTLY BUT WILL BE INCLUDED IN THE UNIT PRICE BID FOR ITEM 900.675 SPECIAL PROVISION (HAND-PLACED BITUMINOUS CONCRETE MATERIAL, DRIVES).
- EXCAVATION NEEDED TO ACHIEVE PROPER DRIVE SLOPES WILL NOT BE PAID DIRECTLY BUT WILL BE CONSIDERED INCIDENTAL TO CONTRACT ITEM 900.675 SPECIAL PROVISION (HAND-PLACED BITUMINOUS CONCRETE MATERIAL, DRIVES).
- FIELD DRIVES 2'-0" (MIN.); RESIDENTIAL AND COMMERCIAL DRIVES 4'-0" (MIN.); OR AS DIRECTED BY THE ENGINEER.

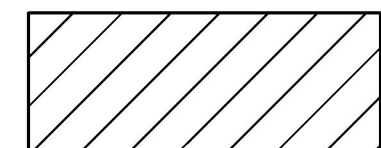


SECTION A-A
HANDWORK DETAILS FOR GRAVEL DRIVES



SECTION B-B
HANDWORK DETAILS FOR PAVED DRIVES

LEGEND



ITEM 900.675 SPECIAL PROVISION (HAND-PLACED BITUMINOUS CONCRETE MATERIAL, DRIVES)



NOT TO SCALE

PROJECT NAME: RICHFORD	PLOT DATE: 4/2/2018
PROJECT NUMBER: STP 2916(I)	DRAWN BY: G. MERKLE
FILE NAME: z10c234de+all.dgn	CHECKED BY: J. LITTLE
PROJECT LEADER: G. EDWARDS	DRIVE DETAIL SHEET
DESIGNED BY: G. MERKLE	SHEET 159 OF 222