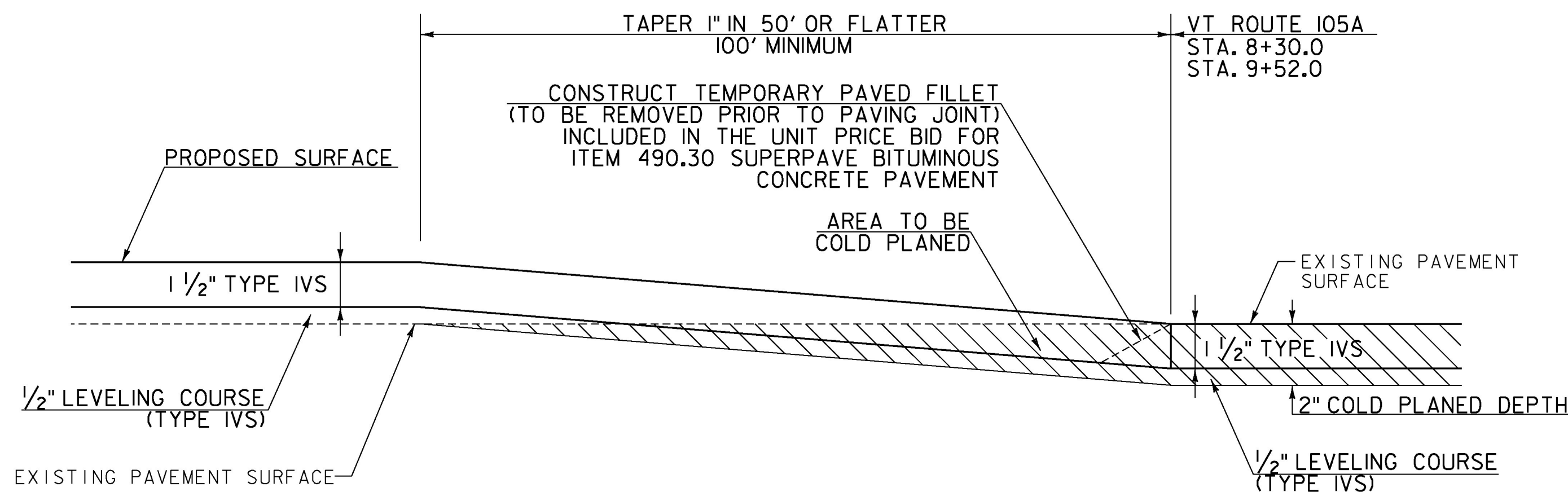


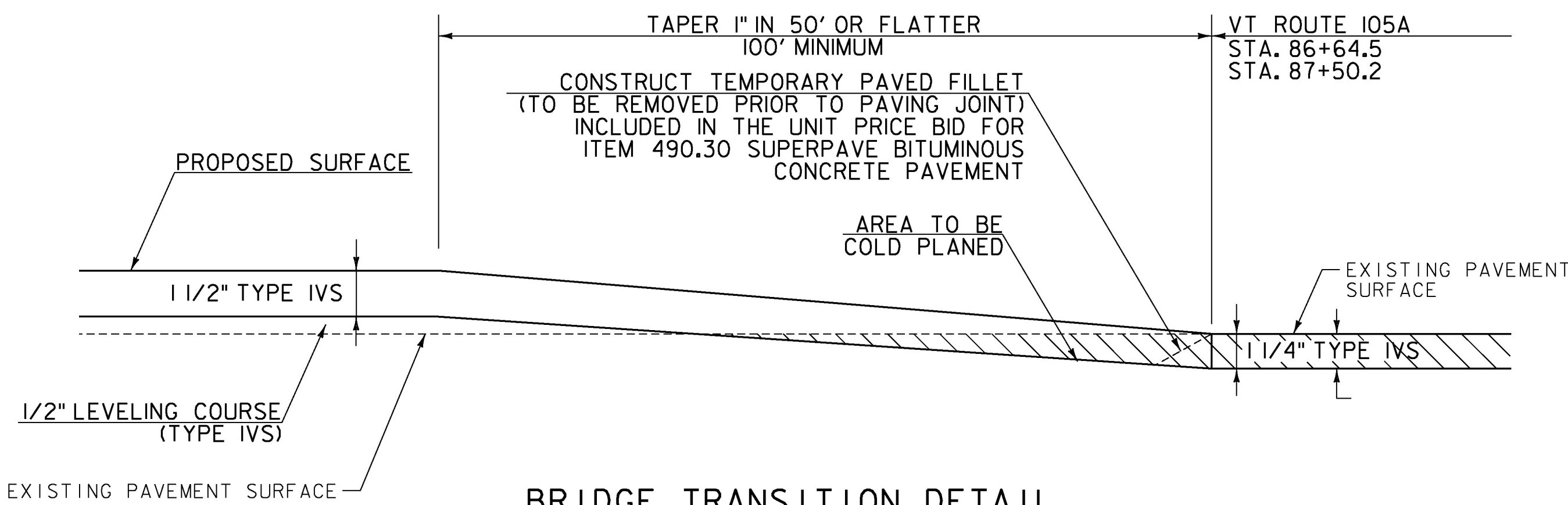
**APPROACH AREA DETAIL
(BEGIN AND END LEVELING AND OVERLAY)**

FULL ROADWAY WIDTH
STA. 0+15.84 TO 1+15.84



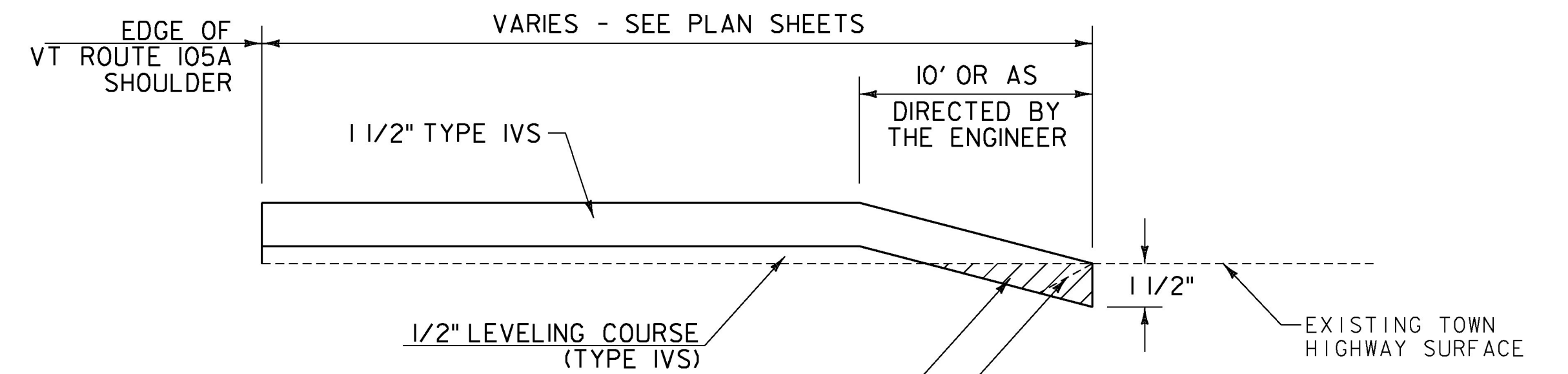
**TRANSITION AREA DETAIL
(LEVELING AND OVERLAY TO COLD PLANE)**

FULL ROADWAY WIDTH
STA. 7+30.0 TO 8+30.0
STA. 9+52.0 TO 10+52.0



BRIDGE TRANSITION DETAIL

FULL ROADWAY WIDTH
STA. 85+64.5 TO 86+64.5



AREA TO BE COLD PLANED (PAVED SIDE ROADS)
PAYMENT SHALL BE INCLUDED IN THE UNIT PRICE BID FOR ITEM 210.10 COLD PLANING,
BITUMINOUS PAVEMENT. AREA TO BE EXCAVATED (GRAVEL SIDE ROADS) PAYMENT
SHALL BE INCLUDED IN THE UNIT PRICE BID FOR ITEM 608.15 POWER GRADER RENTAL

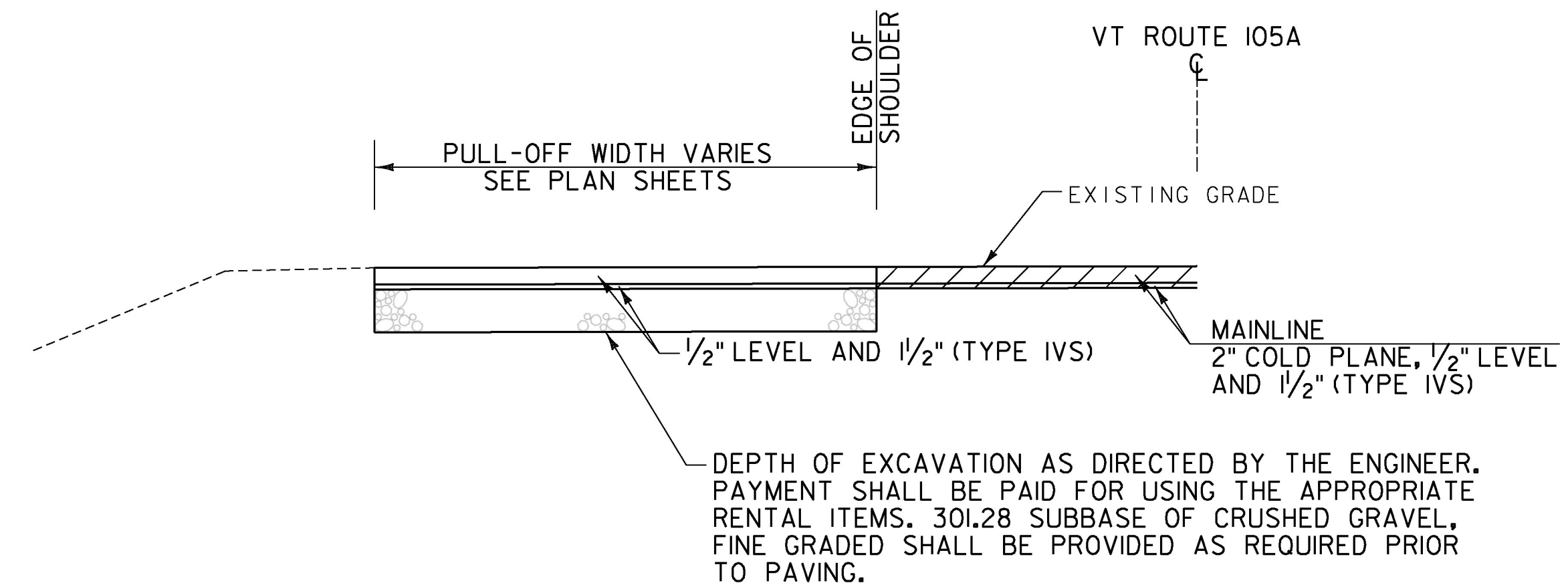
TEMPORARY PAVED FILLET
AS DIRECTED BY THE ENGINEER, (TO BE REMOVED PRIOR TO PAVING JOINT)
INCLUDED IN THE UNIT PRICE BID FOR ITEM 490.30 SUPERPAVE BITUMINOUS
CONCRETE PAVEMENT, (PG 70-28) (SBS POLYMER) TYPE IVS

OVERLAY APPROACH AREA DETAIL - SIDE ROADS

NOTE: THIS DETAIL SHALL BE USED AT THE LOCATIONS
LISTED BELOW AS DIRECTED BY THE ENGINEER.

FULL ROADWAY WIDTH

STA. 51+01, RT (JOHNSON ROAD)
STA. 55+08, RT (JOHNSON ROAD)
STA. 79+31, RT (EAST RICHFORD SLIDE ROAD)



PAVED PULL-OFF DETAIL IN COLD PLANE AREA

STA. 9+00 TO 9+75, LT

PAVED PULL-OFF

NOTES:

1. GRADE EXISTING GRAVEL PULL-OFF AS NECESSARY TO PROVIDE A SMOOTH SURFACE AND ADEQUATE DRAINAGE AS DIRECTED BY THE ENGINEER. PAYMENT SHALL BE MADE UNDER ITEM 608.15 POWER GRADER RENTAL. ANY EXCAVATION REQUIRED SHALL BE PAID FOR USING THE APPROPRIATE RENTAL ITEMS.
2. THE PULL-OFFS WILL BE MACHINE PAVED AND PAID UNDER ITEM 490.30 SUPERPAVE BITUMINOUS CONCRETE PAVEMENT (PG 70-28) (SBS POLYMER) TYPE IVS.

NOT TO SCALE

PROJECT NAME: RICHFORD
PROJECT NUMBER: STP 2916(I)

FILE NAME: z10c234typ.dgn
PROJECT LEADER: G. EDWARDS
DESIGNED BY: G. MERKLE
TYPICAL SECTION SHEET 2

PLOT DATE: 4/2/2018
DRAWN BY: G. MERKLE
CHECKED BY: J. LITTLE
SHEET 157 OF 222

