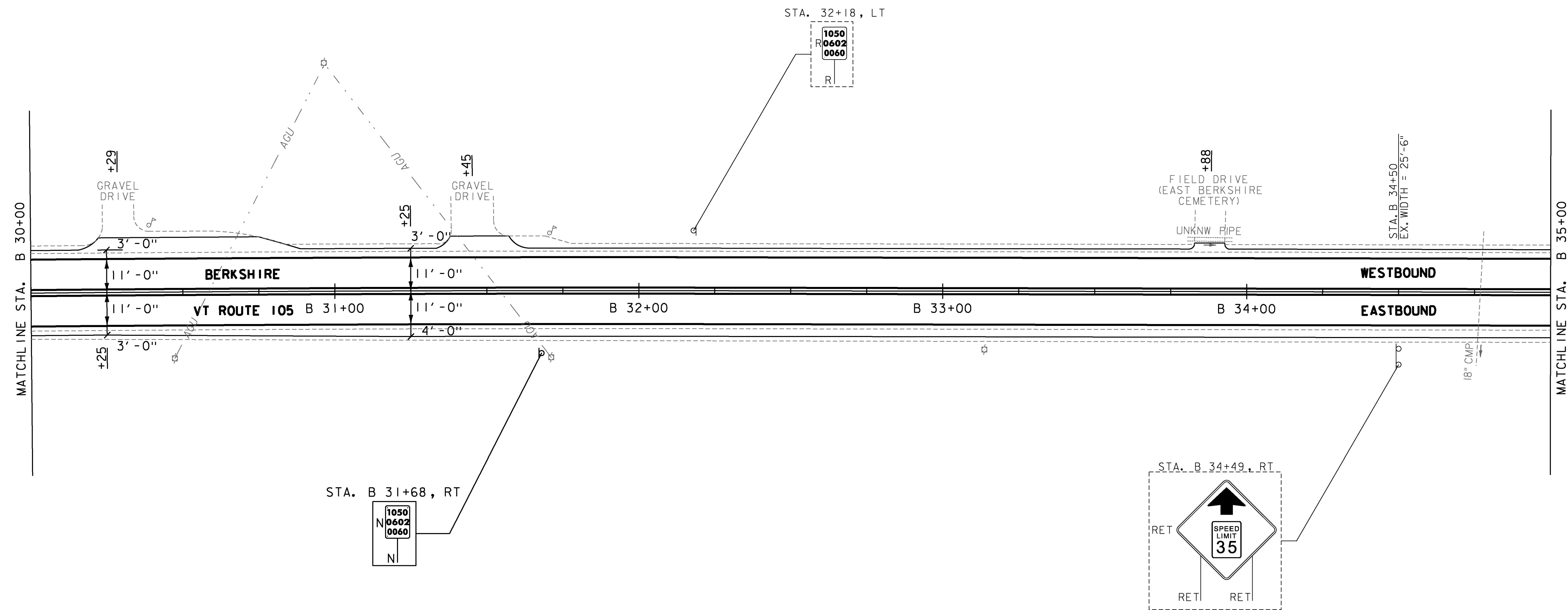
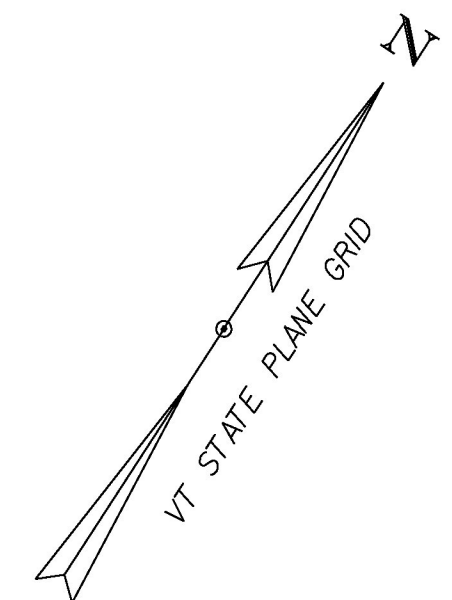


DURABLE 4 INCH WHITE LINE, (OPTION CC BID ITEMS)
 TEMPORARY 4 INCH WHITE LINE, PAINT
 (ALL LINES WILL INCLUDE EDGE LINE BREAKS
 AND RADII FOR SIDE ROADS)
 STA. B 30+00 TO B 35+00, SOLID LT & RT

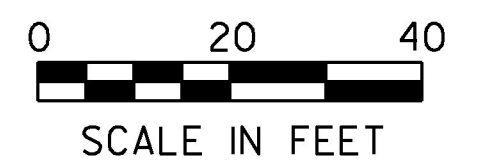
DURABLE 4 INCH YELLOW LINE, (OPTION DD BID ITEMS)
 TEMPORARY 4 INCH YELLOW LINE, PAINT
 (ALL LINES WILL INCLUDE ϕ BREAKS FOR SIDE ROADS)
 STA. B 30+00 TO B 35+00, SOLID LT & RT

REMOVING SIGNS
 AS SHOWN - 1



NOTES:

1. FOR LEGENDS, SEE SHEETS 3 & 3I.
2. ALL EXISTING SIGNS NOT SHOWN ON THE PLANS SHALL BE RETAINED.
3. ALL UTILITY LOCATIONS SHOWN ARE APPROXIMATE AND SHOULD BE VERIFIED PRIOR TO ANY WORK COMMENCING.



PROJECT NAME:	ENOSBURGH-RICHFORD
PROJECT NUMBER:	STP 2969(I)
FILE NAME:	z16vi04bdr.dgn
DESIGNED BY:	G. BURGMEIER
PROJECT LEADER:	G. EDWARDS
PLANNING:	G. BURGMEIER
PLAN SHEET 46	
PLOT DATE:	4/2/2018
DRAWN BY:	G. BURGMEIER
CHECKED BY:	J. LITTLE
SHEET	76 OF 222

