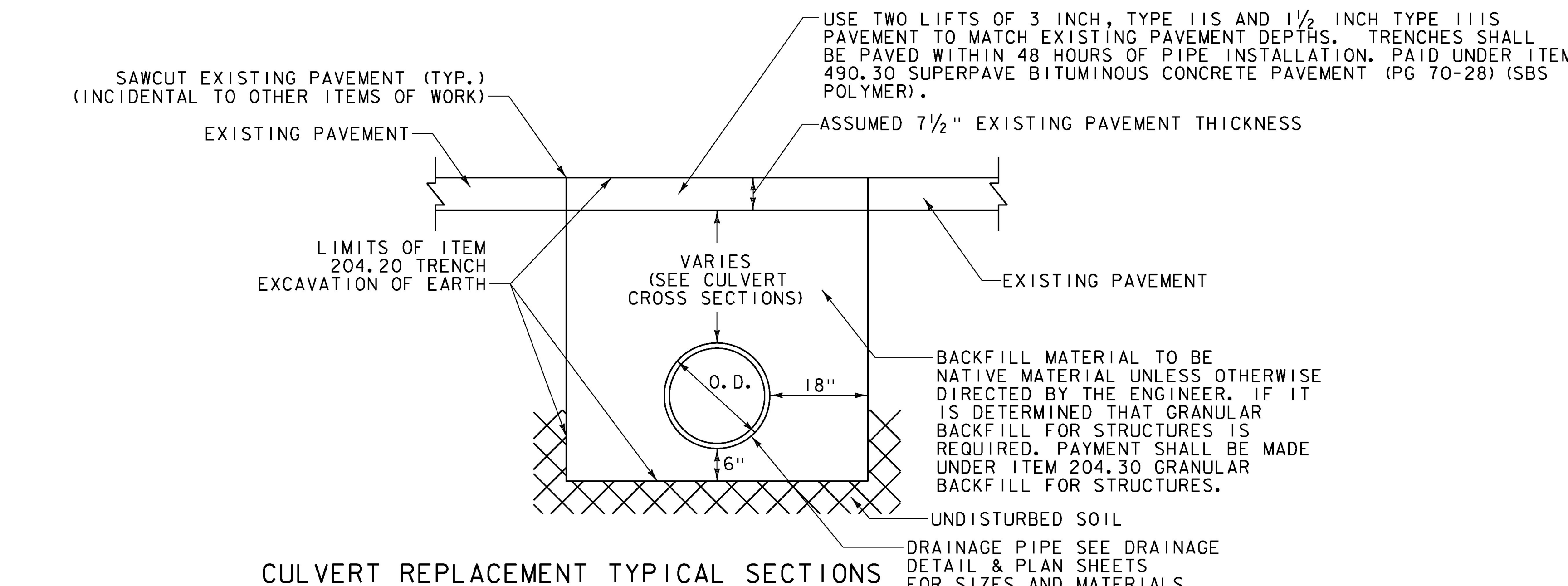


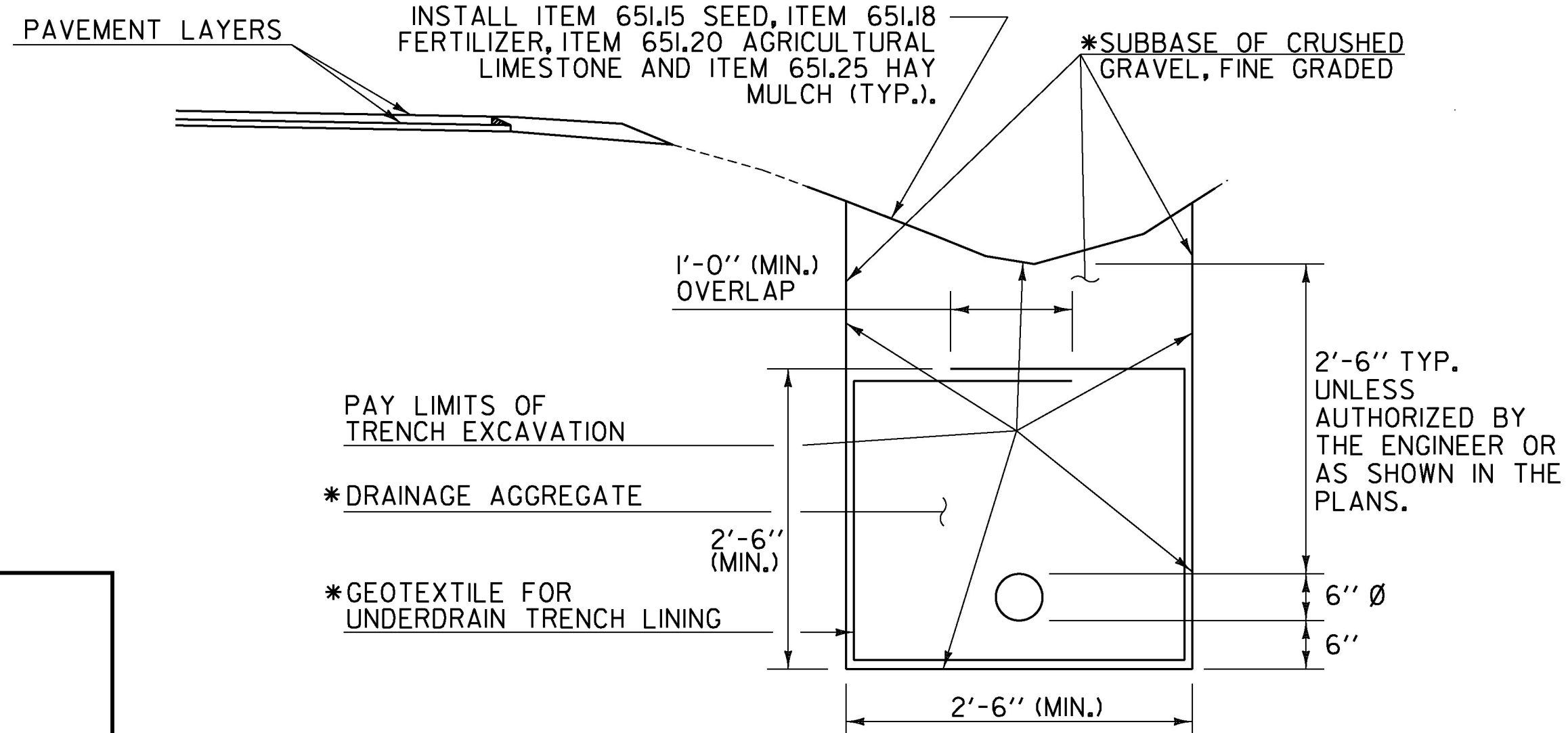
SECTION A-A
CULVERT OUTLET PROTECTION

ENOSBURGH STATION	PIPE ID NO.	DIAMETER (inches)	STONE FILL	WIDTH (ft)	LENGTH (ft)	DEPTH (ft)
E 169+63, RT	65366	24"	TYPE I	4.0	6.0	1.0
E 190+26, RT	65361	18"	TYPE I	3.0	4.5	1.0
E 192+55, RT	65360	18"	TYPE I	3.0	4.5	1.0
E 272+65, RT	65340	30"	TYPE I	5.0	7.5	1.0
BERKSHIRE STATION						
B 10+20, RT	65338	18"	TYPE I	3.0	4.5	1.0



CULVERT REPLACEMENT TYPICAL SECTIONS
THE USE OF THESE DETAILS SHALL BE AS DETERMINED BY THE ENGINEER.

ENOSBURGH:
 PIPE ID NO. 65366 STA. E 169+63, LT & RT
 PIPE ID NO. 65361 STA. E 190+23, RT - E 190+28, LT
 PIPE ID NO. 65340 STA. E 272+63, LT - E 272+65, RT
 BERKSHIRE:
 PIPE ID NO. 65338 STA. B 10+11 - B 10+25, LT - RT



6 INCH UNDERDRAIN DETAIL
NOT TO SCALE

- NOTES:
1. GEOTEXTILE FOR UNDERDRAIN TRENCH LINING SHALL NOT BE PLACED AROUND UNDERDRAIN WHEN COVER ABOVE PIPE IS LESS THAN ONE FOOT.
 2. DRAINAGE AGGREGATE SHALL MEET THE REQUIREMENTS OF SUBSECTION 704.16.
 3. * GEOTEXTILE FOR UNDERDRAIN TRENCH LINING, DRAINAGE AGGREGATE AND SUBBASE OF CRUSHED GRAVEL, FINE GRADED ARE INCLUDED IN THE UNIT PRICE BID FOR PAY ITEM 605.10 6 INCH UNDERDRAIN PIPE.

LOCATION					UNDERDRAIN			MISC. ITEMS			REMARKS	
PIPE NO.	OUTLET INVERT	BEGIN STA.	END STA.	POS.	204.20 TRENCH EXCAVATION OF EARTH CY	605.10 6 INCH UNDERDRAIN PIPE LF	619.17 YIELDING MARKER POSTS EA	* DRAINAGE AGGREGATE CY	* GEOTEXTILE FABRIC SY	* SUBBASE OF CRUSHED GRAVEL TON		
VT ROUTE 105												
ENOSBURGH												
UD-1	SEE REMARKS	E 97+32	E 101+00	LT	120	368	252	1	120	464	60	OUTLET ADJACENT TO THE INLET OF THE EXISTING 15" CMP
SHEET SUBTOTAL					120	368	1	120	464	60		
ROUNDING					-	2		-	-	-		
UNDERDRAIN WORK TOTALS					**	370	**	*	*	*		

PROJECT NAME: ENOSBURGH-RICHFORD
 PROJECT NUMBER: STP 2969(I)
 FILE NAME: z16vi04detall.dgn PLOT DATE: 4/2/2018
 PROJECT LEADER: G. EDWARDS DRAWN BY: D. DRAPER
 DESIGNED BY: D. DRAPER CHECKED BY: J. LITTLE
 DRAINAGE DETAIL SHEET 2 SHEET 30 OF 222

