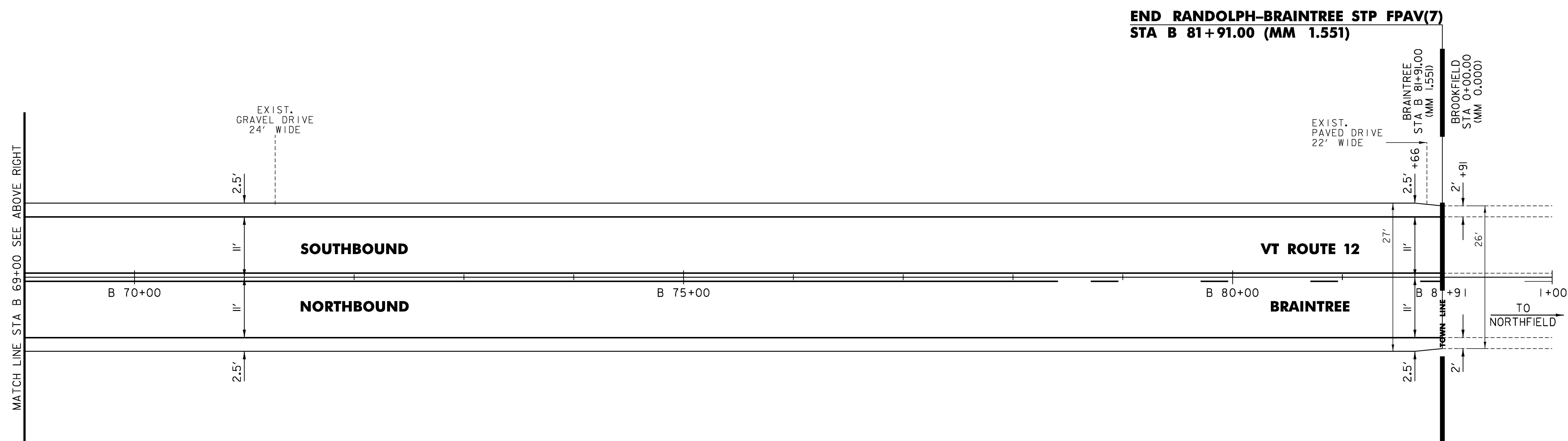
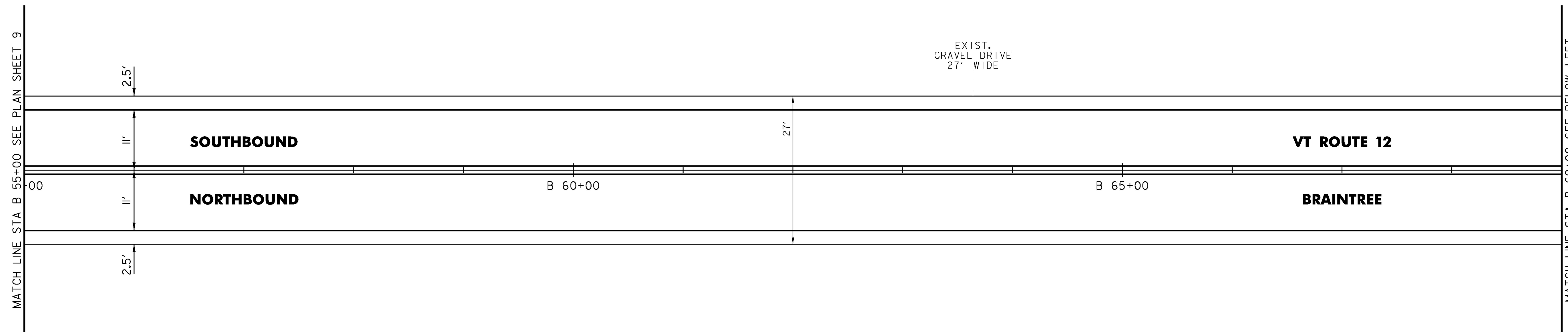


TEMPORARY 4 INCH WHITE LINE, PAINT  
 4 INCH WHITE LINE, WATERBORNE PAINT  
 (ALL LINES WILL INCLUDE EDGE LINE  
 BREAKS AND RADII FOR SIDE ROADS)  
 B 55+00 TO B 81+91 LT & RT (SOLID)

TEMPORARY 4 INCH YELLOW LINE, PAINT  
 4 INCH YELLOW LINE, WATERBORNE PAINT  
 (ALL LINES WILL INCLUDE  
 BREAKS FOR SIDE ROADS)  
 B 55+00 TO B 78+40 LT & RT (SOLID)  
 B 78+40 TO B 81+91 LT (SOLID), RT (DASHED)



**END RANDOLPH-BRAINTREE STP FPAV(7)**  
**STA B 81+91.00 (MM 1.551)**

PROJECT NAME:	RANDOLPH-BRAINTREE
PROJECT NUMBER:	STP FPAV(7)
FILE NAME:	z16v028bdr.dgn
PROJECT LEADER:	P. SHEDD
DESIGNED BY:	N. LEMAY
PLAN SHEET 10	
PLOT DATE:	2/8/2017
DRAWN BY:	S. GOODWIN
CHECKED BY:	P. SHEDD
SHEET 23	OF 24

NOT TO SCALE