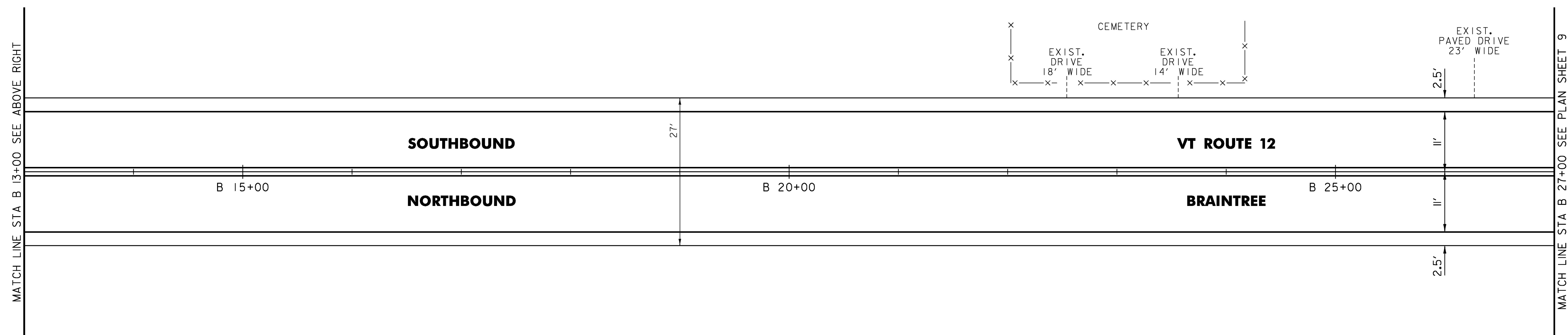
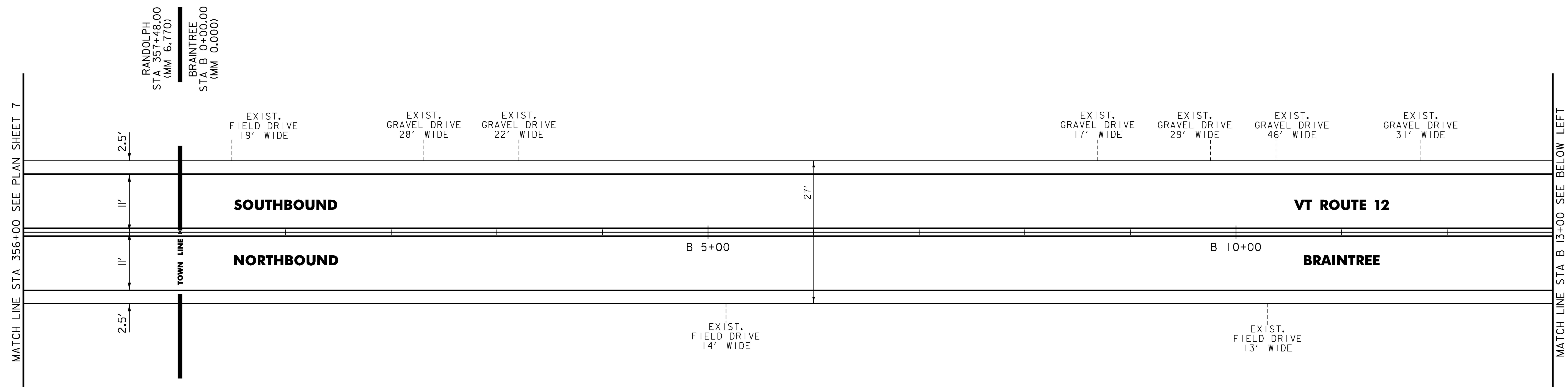


TEMPORARY 4 INCH WHITE LINE, PAINT
 4 INCH WHITE LINE, WATERBORNE PAINT
 (ALL LINES WILL INCLUDE EDGE LINE
 BREAKS AND RADII FOR SIDE ROADS)
 356+00 TO B 27+00 LT & RT (SOLID)

TEMPORARY 4 INCH YELLOW LINE, PAINT
 4 INCH YELLOW LINE, WATERBORNE PAINT
 (ALL LINES WILL INCLUDE ϕ
 BREAKS FOR SIDE ROADS)
 356+00 TO B 27+00 LT & RT (SOLID)



PROJECT NAME:	RANDOLPH-BRAINTREE
PROJECT NUMBER:	STP FPAV(7)
FILE NAME:	z16v028bdr.dgn
PROJECT LEADER:	P. SHEDD
DESIGNED BY:	N. LEMAY
PLAN SHEET	8
PLOT DATE:	2/8/2017
DRAWN BY:	S. GOODWIN
CHECKED BY:	P. SHEDD
SHEET	21 OF 24

NOT TO SCALE