

TEMPORARY 4 INCH WHITE LINE, PAINT
 4 INCH WHITE LINE, WATERBORNE PAINT
 (ALL LINES WILL INCLUDE EDGE LINE
 BREAKS AND RADII FOR SIDE ROADS)
 272+00 TO 300+00 LT & RT (SOLID)

TEMPORARY 4 INCH YELLOW LINE, PAINT
 4 INCH YELLOW LINE, WATERBORNE PAINT
 (ALL LINES WILL INCLUDE CL
 BREAKS FOR SIDE ROADS)
 272+00 TO 285+90 LT & RT (SOLID)
 285+90 TO 293+45 LT (SOLID), RT (DASHED)
 293+45 TO 294+10 CL (DASHED)
 294+10 TO 300+00 LT (DASHED), RT (SOLID)

REHAB. DROP INLETS, CATCH BASINS,
 OR MANHOLES, CLASS J
 290+99 LT

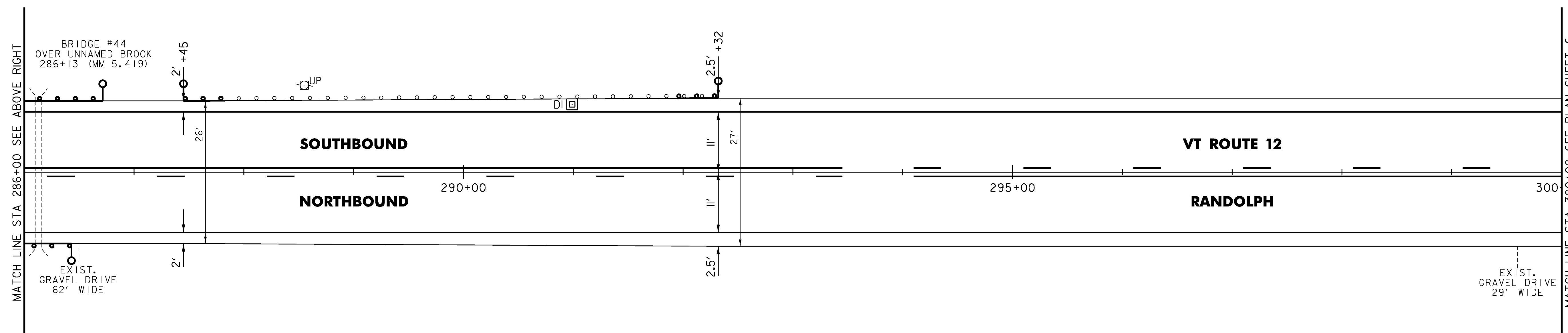
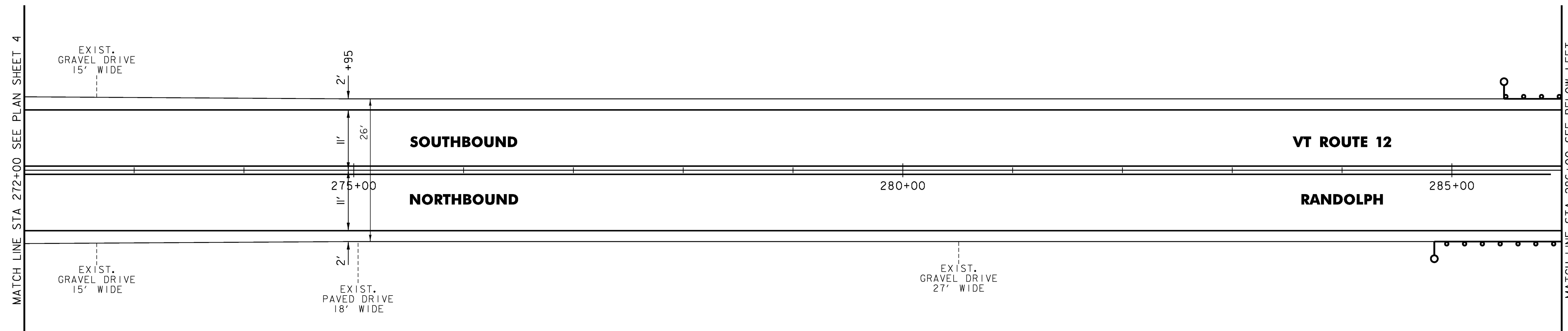
STEEL BEAM GUARDRAIL, GALVANIZED
 284+84 TO 285+69.5 RT
 285+47.5 TO 285+59 LT
 286+60 TO 286+71.5 LT
 287+45 TO 287+82.5 LT
 291+94.5 TO 292+32 LT

REMOVAL AND DISPOSAL OF GUARDRAIL
 287+45 TO 287+82.5 LT
 291+94.5 TO 292+32 LT

DELINEATOR WITH STEEL POST
 284+84 RT
 285+47.5 LT
 286+43 RT
 286+60 LT
 287+45 LT
 292+32 LT

ANCHOR FOR STEEL BEAM RAIL
 6 (SEE STANDARD G-1d)

HD STEEL BEAM GUARDRAIL,
 GALVANIZED/NESTED
 285+59 TO 286+60 LT
 285+70 TO ~~286+43~~ RT
 286+31.5



NOT TO SCALE

PROJECT NAME:	RANDOLPH-BRAINTREE
PROJECT NUMBER:	STP FPAV(7)
FILE NAME: z16v028bdr.dgn	PLOT DATE: 2/8/2017
PROJECT LEADER: P. SHEDD	DRAWN BY: S. GOODWIN
DESIGNED BY: N. LEMAY	CHECKED BY: P. SHEDD
PLAN SHEET 5	SHEET 18 OF 24