

TEMPORARY 4 INCH WHITE LINE, PAINT
 4 INCH WHITE LINE, WATERBORNE PAINT
 (ALL LINES WILL INCLUDE EDGE LINE
 BREAKS AND RADII FOR SIDE ROADS)
 162+07 TO 188+00 LT & RT (SOLID)

TEMPORARY 4 INCH YELLOW LINE, PAINT
 4 INCH YELLOW LINE, WATERBORNE PAINT
 (ALL LINES WILL INCLUDE \square
 BREAKS FOR SIDE ROADS)
 162+07 TO 188+00 LT & RT (SOLID)

REHAB. DROP INLETS, CATCH BASINS,
 OR MANHOLES, CLASS I
 162+38 LT

STEEL BEAM GUARDRAIL, GALVANIZED
 161+63 TO 162+00.5 RT
 163+36.5 TO 163+74 RT
 166+01.5 TO 166+39 LT

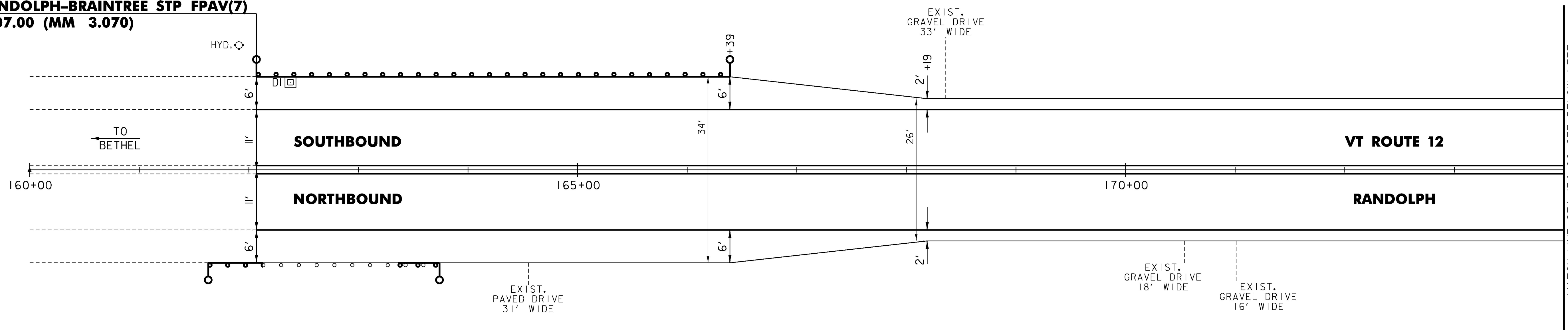
REMOVAL AND DISPOSAL OF GUARDRAIL
 161+63 TO 162+00.5 RT
 163+36.5 TO 163+74 RT
 166+01.5 TO 166+39 LT

ANCHOR FOR STEEL BEAM RAIL
 2 (SEE STANDARD G-1d)

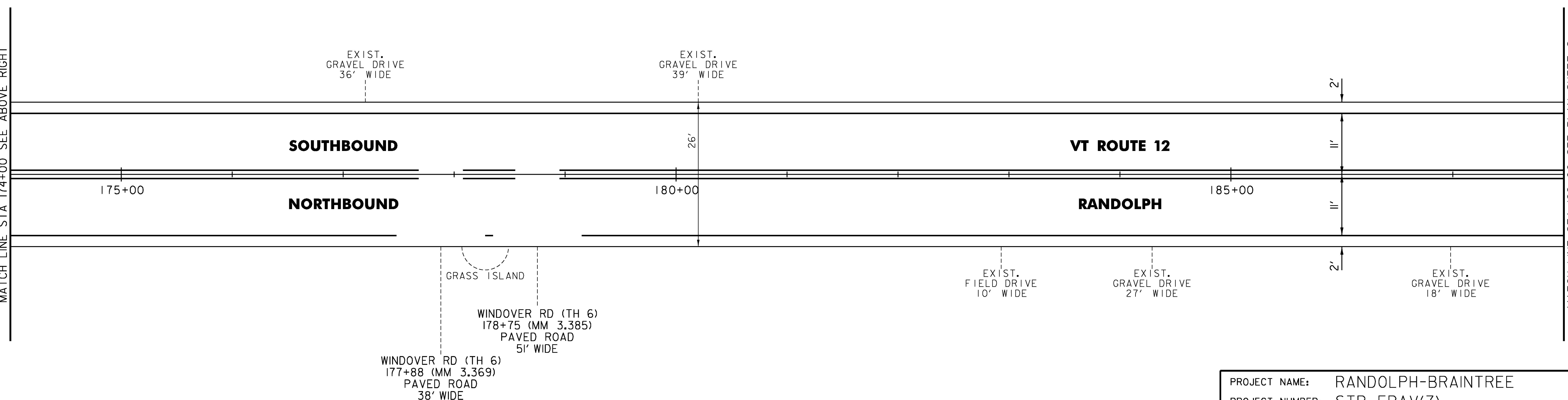
DELINEATOR WITH STEEL POST
 161+63 RT
 162+07 LT
 163+74 RT
 166+39 LT

REMOVE AND RESET GUARDRAIL
 162+00.5 TO 162+13 RT
 162+07 TO 166+01.5 LT

BEGIN RANDOLPH-BRAINTREE STP FPAV(7)
STA 162+07.00 (MM 3.070)



MATCH LINE STA 174+00 SEE ABOVE RIGHT



MATCH LINE STA 188+00 SEE PLAN SHEET 2

NOT TO SCALE

PROJECT NAME:	RANDOLPH-BRAINTREE
PROJECT NUMBER:	STP FPAV(7)
FILE NAME: z16v028bdr.dgn	PLOT DATE: 2/8/2017
PROJECT LEADER: P. SHEDD	DRAWN BY: S. GOODWIN
DESIGNED BY: N. LEMAY	CHECKED BY: P. SHEDD
PLAN SHEET 1	SHEET 14 OF 24