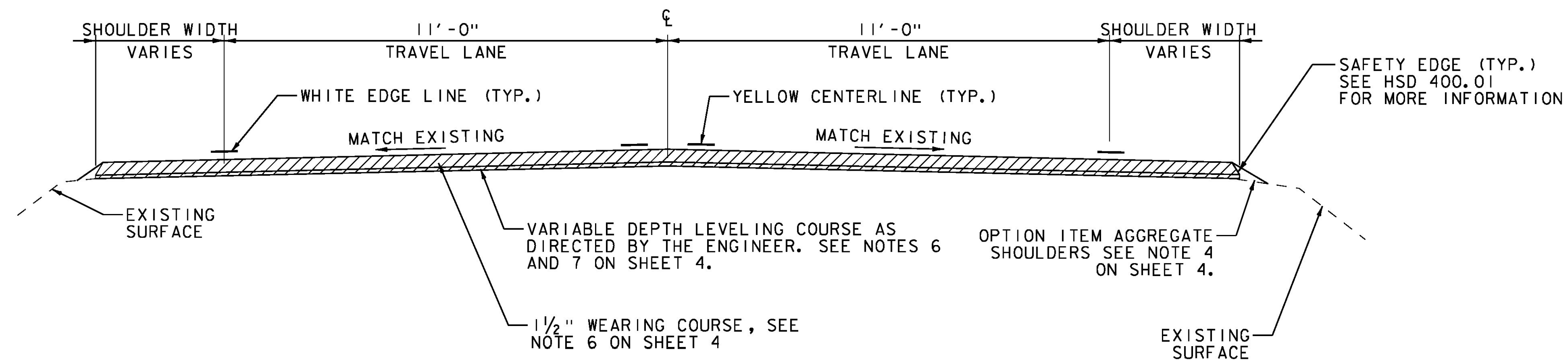


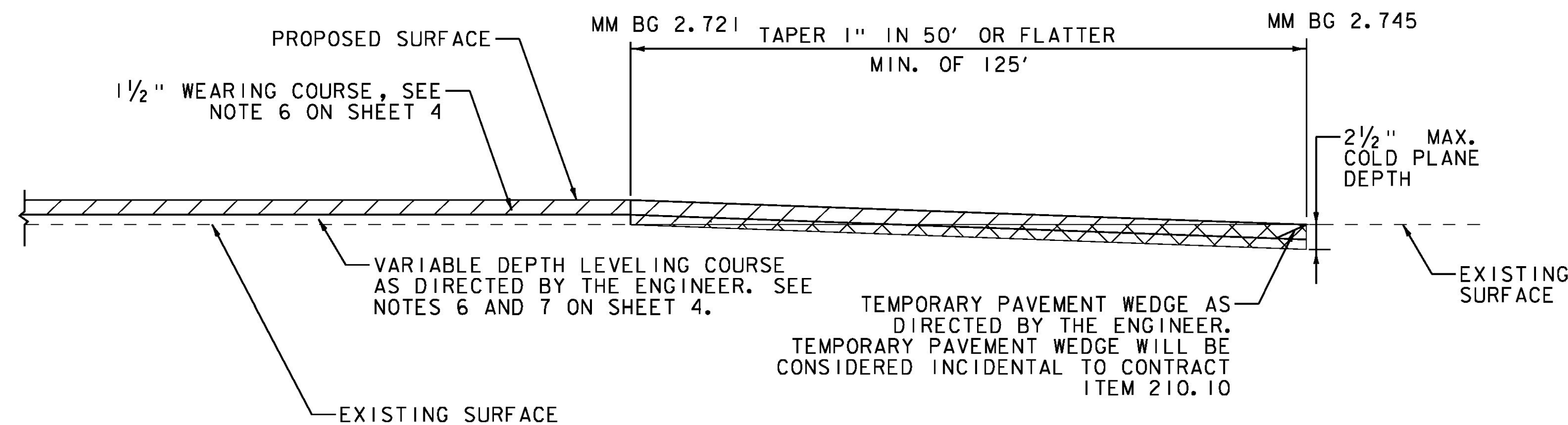
**BEGIN PROJECT TRANSITION DETAIL  
EXISTING PAVEMENT TO LEVEL & OVERLAY**



**LEVEL & OVERLAY TYPICAL SECTION**

STARKSBORO  
MM 2.074 TO MM 5.409

BUELS GORE  
MM BG 0.000 TO MM BG 2.721



**END PROJECT TRANSITION DETAIL  
LEVEL & OVERLAY TO EXISTING PAVEMENT**

PROJECT NAME:	STARKSBORO-BUELS GORE
PROJECT NUMBER:	STP FPAV(5)
FILE NAME: z16v026typ.dgn	PLOT DATE: 5/31/2016
PROJECT LEADER: C. LATHROP	DRAWN BY: O. DALMER
DESIGNED BY: J. GOODALL	CHECKED BY: C. LATHROP
PROJECT TYPICAL SECTIONS SHEET 1	SHEET 5 OF 22

NOT TO SCALE