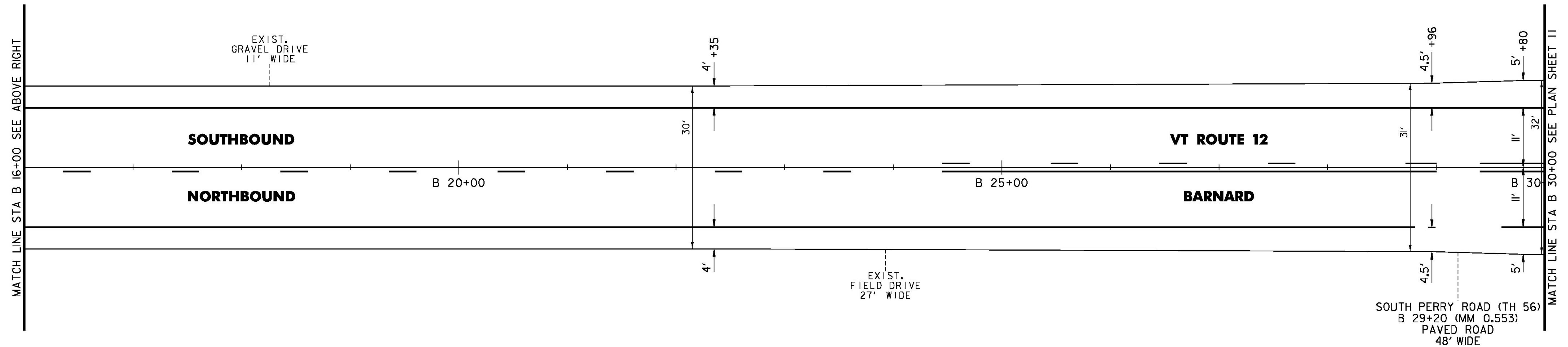
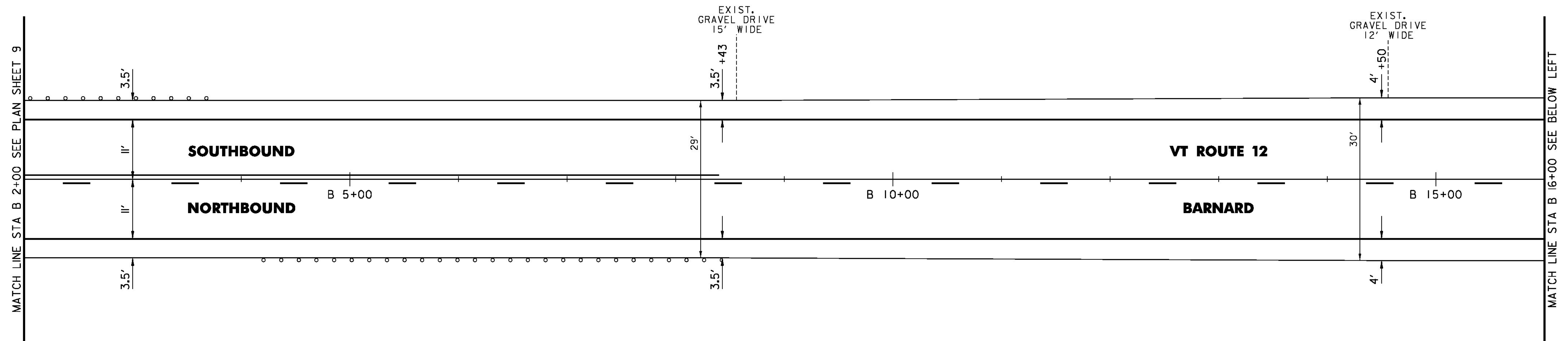


TEMPORARY 4 INCH WHITE LINE, PAINT  
 4 INCH WHITE LINE, WATERBORNE PAINT  
 (ALL LINES WILL INCLUDE EDGE LINE  
 BREAKS AND RADII FOR SIDE ROADS)  
 B 2+00 TO B 30+00 LT & RT (SOLID)

TEMPORARY 4 INCH YELLOW LINE, PAINT  
 4 INCH YELLOW LINE, WATERBORNE PAINT  
 (ALL LINES WILL INCLUDE  $\phi$   
 BREAKS FOR SIDE ROADS)  
 B 2+00 TO B 8+40 LT (SOLID), RT (DASHED)  
 B 8+40 TO B 24+45 CL (DASHED)  
 B 24+45 TO B 28+72 LT (DASHED), RT (SOLID)  
 B 28+72 TO B 30+00 LT & RT (SOLID)



PROJECT NAME:	WOODSTOCK-BARNARD
PROJECT NUMBER:	STP FPAV(3)
FILE NAME:	z16v024bdr.dgn
PROJECT LEADER:	P. SHEDD
DESIGNED BY:	N. LEMAY
PLAN SHEET 10	
PLOT DATE:	6/2/2016
DRAWN BY:	S. GOODWIN
CHECKED BY:	P. SHEDD
SHEET	20 OF 26

NOT TO SCALE