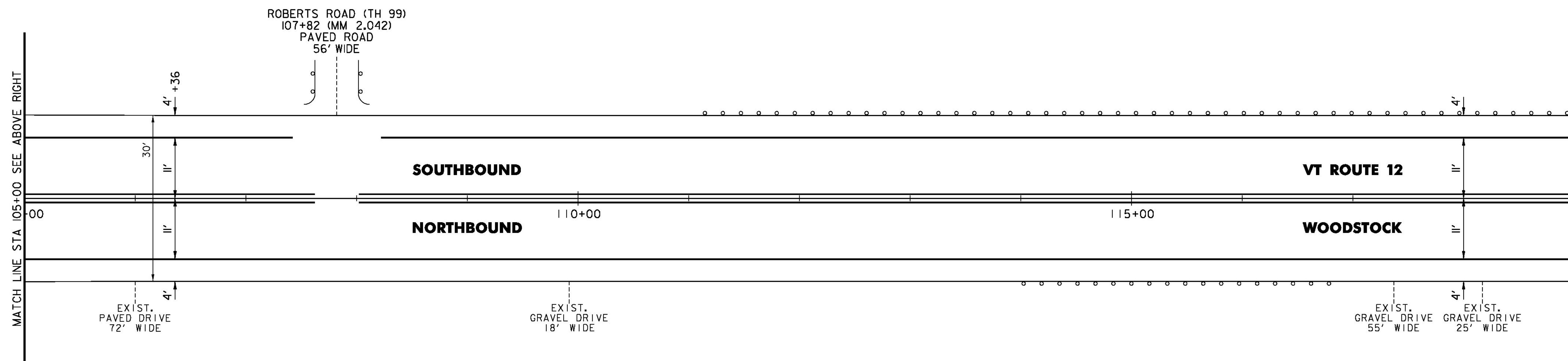
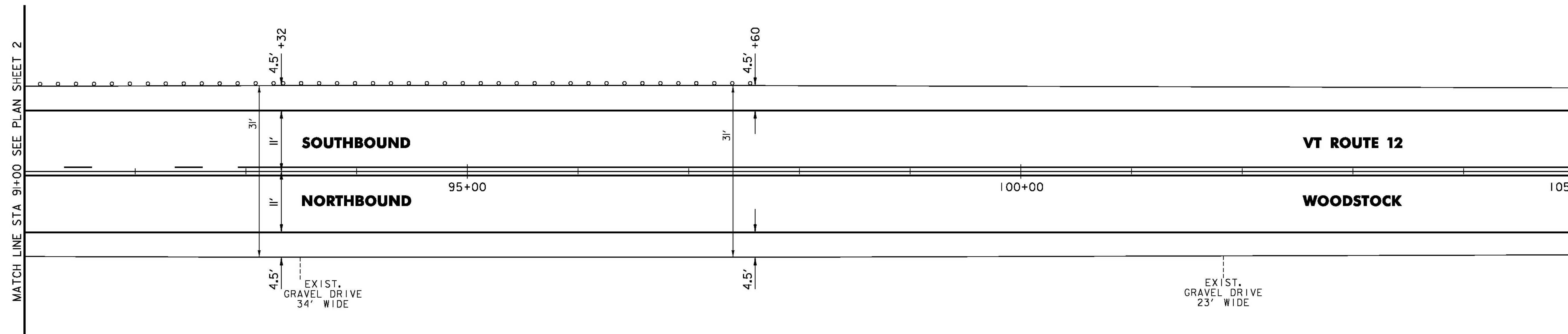


TEMPORARY 4 INCH WHITE LINE, PAINT
 4 INCH WHITE LINE, WATERBORNE PAINT
 (ALL LINES WILL INCLUDE EDGE LINE
 BREAKS AND RADII FOR SIDE ROADS)
 91+00 TO 119+00 LT & RT (SOLID)

TEMPORARY 4 INCH YELLOW LINE, PAINT
 4 INCH YELLOW LINE, WATERBORNE PAINT
 (ALL LINES WILL INCLUDE ϕ
 BREAKS FOR SIDE ROADS)
 91+00 TO 92+93 LT (DASHED), RT (SOLID)
 92+93 TO 119+00 LT & RT (SOLID)



PROJECT NAME:	WOODSTOCK-BARNARD
PROJECT NUMBER:	STP FPAV(3)
FILE NAME:	z16v024bdr.dgn
PROJECT LEADER:	P. SHEDD
DESIGNED BY:	N. LEMAY
PLAN SHEET 3	
PLOT DATE:	6/2/2016
DRAWN BY:	S. GOODWIN
CHECKED BY:	P. SHEDD
SHEET	13 OF 26

NOT TO SCALE