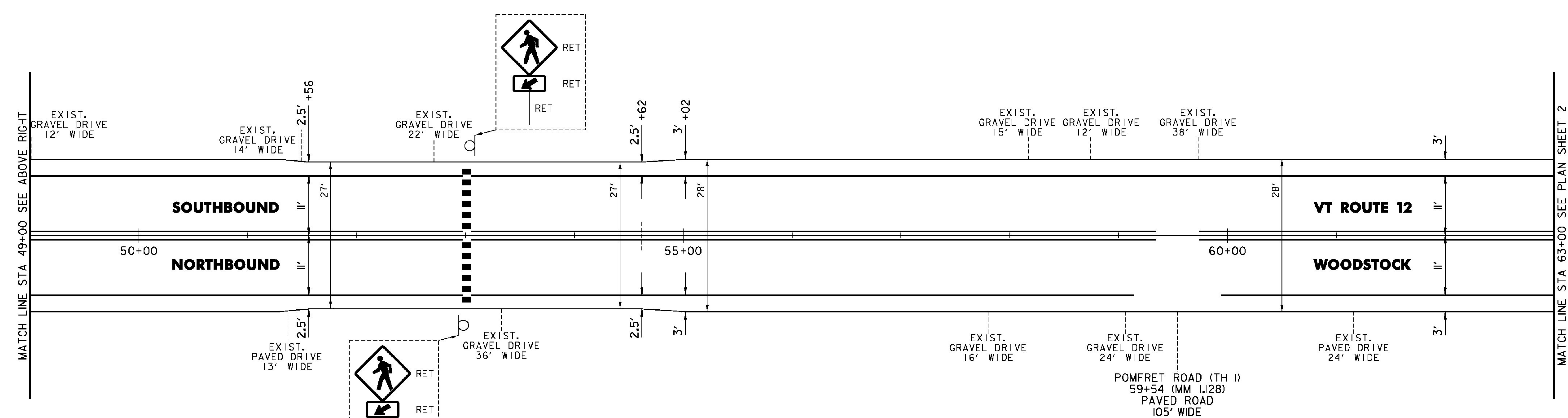
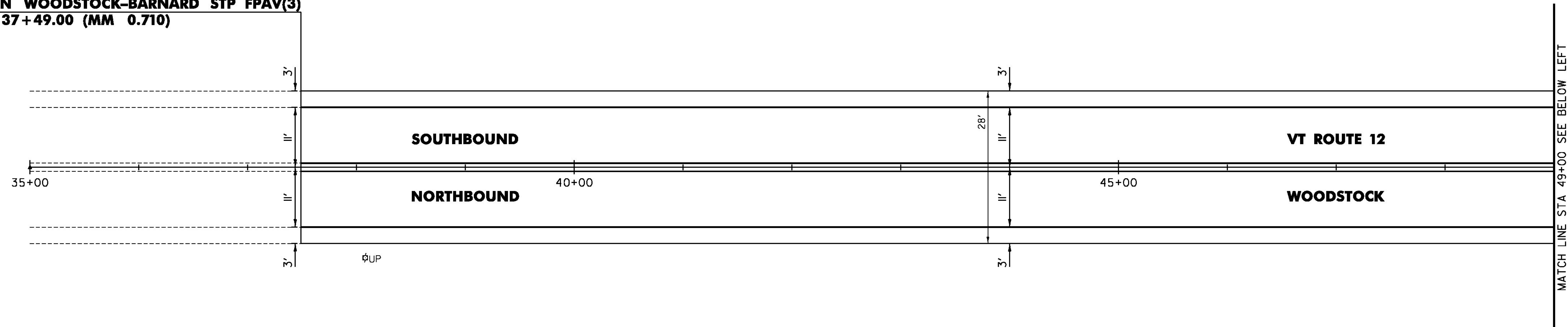


TEMPORARY 4 INCH WHITE LINE, PAINT
 4 INCH WHITE LINE, WATERBORNE PAINT
 (ALL LINES WILL INCLUDE EDGE LINE
 BREAKS AND RADII FOR SIDE ROADS)
 37+49 TO 63+00 LT & RT (SOLID)

TEMPORARY 4 INCH YELLOW LINE, PAINT
 4 INCH YELLOW LINE, WATERBORNE PAINT
 (ALL LINES WILL INCLUDE ϕ
 BREAKS FOR SIDE ROADS)
 37+49 TO 63+00 LT & RT (SOLID)

TEMPORARY CROSSWALK MARKING, PAINT
 CROSSWALK MARKING, WATERBORNE PAINT
 53+01 LT TO RT (2'')

BEGIN WOODSTOCK-BARNARD STP FPAV(3)
STA 37+49.00 (MM 0.710)



NOT TO SCALE

PROJECT NAME:	WOODSTOCK-BARNARD
PROJECT NUMBER:	STP FPAV(3)
FILE NAME:	z16v024bdr.dgn
PROJECT LEADER:	P. SHEDD
DESIGNED BY:	N. LEMAY
PLAN SHEET I	
PLOT DATE:	6/2/2016
DRAWN BY:	S. GOODWIN
CHECKED BY:	P. SHEDD
SHEET	II OF 26