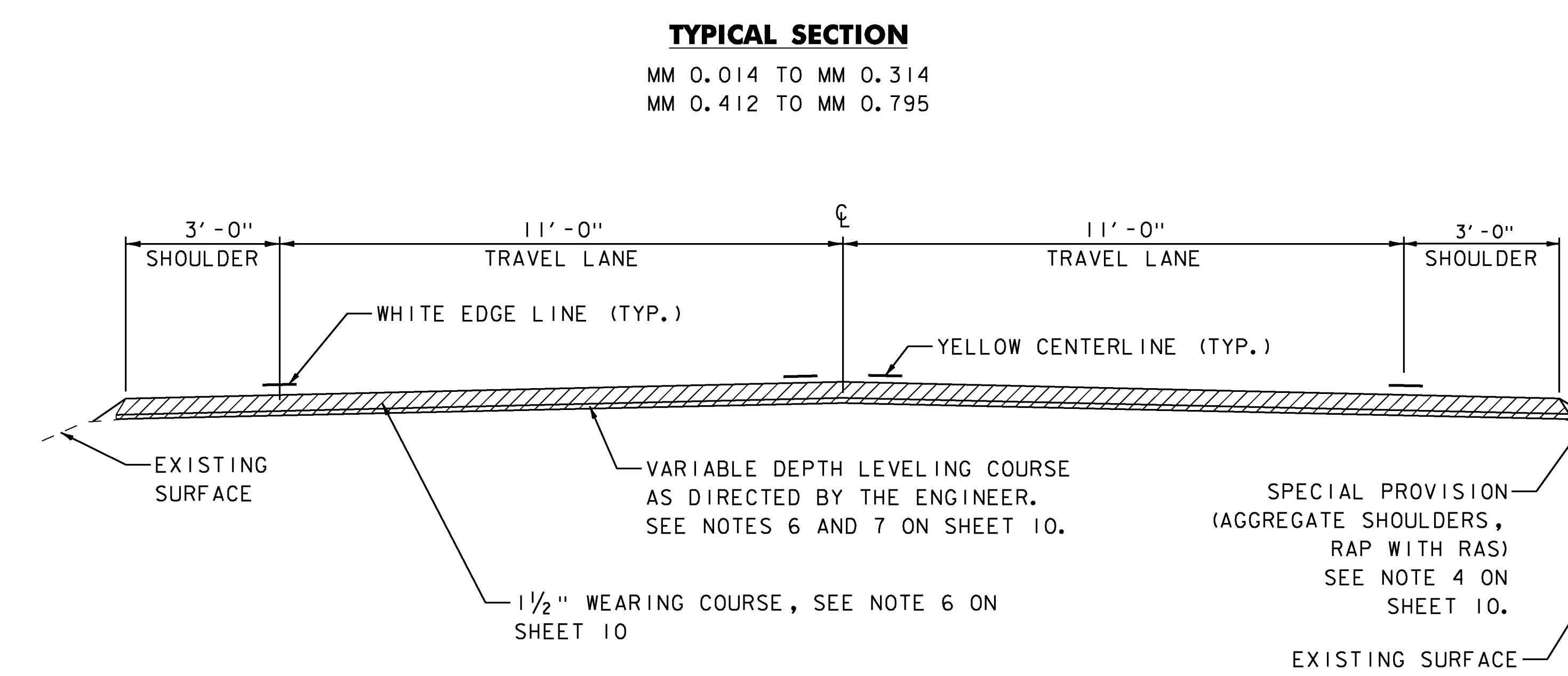
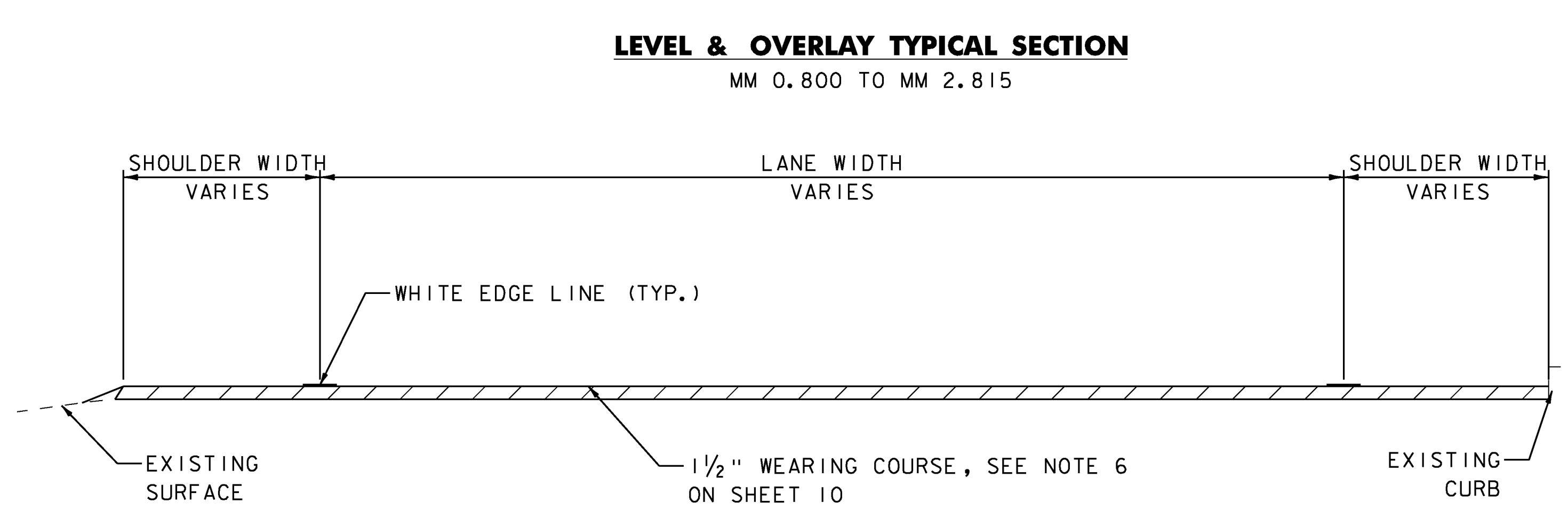


TRANSITION DETAIL TO LEVEL & OVERLAY



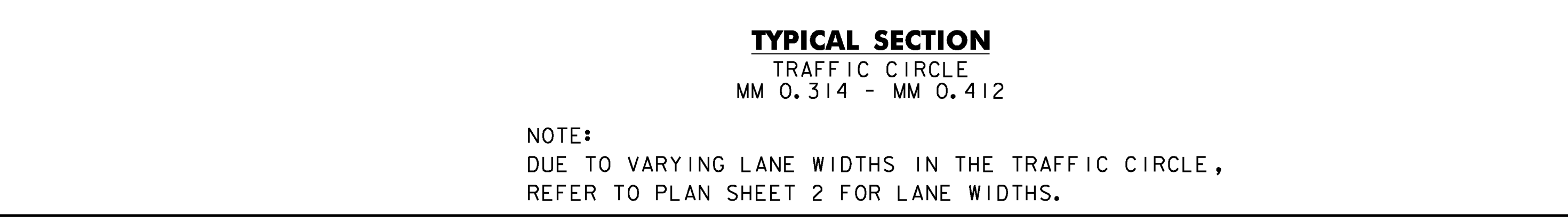
TYPICAL SECTION

MM 0.014 TO MM 0.314
MM 0.412 TO MM 0.795



LEVEL & OVERLAY TYPICAL SECTION

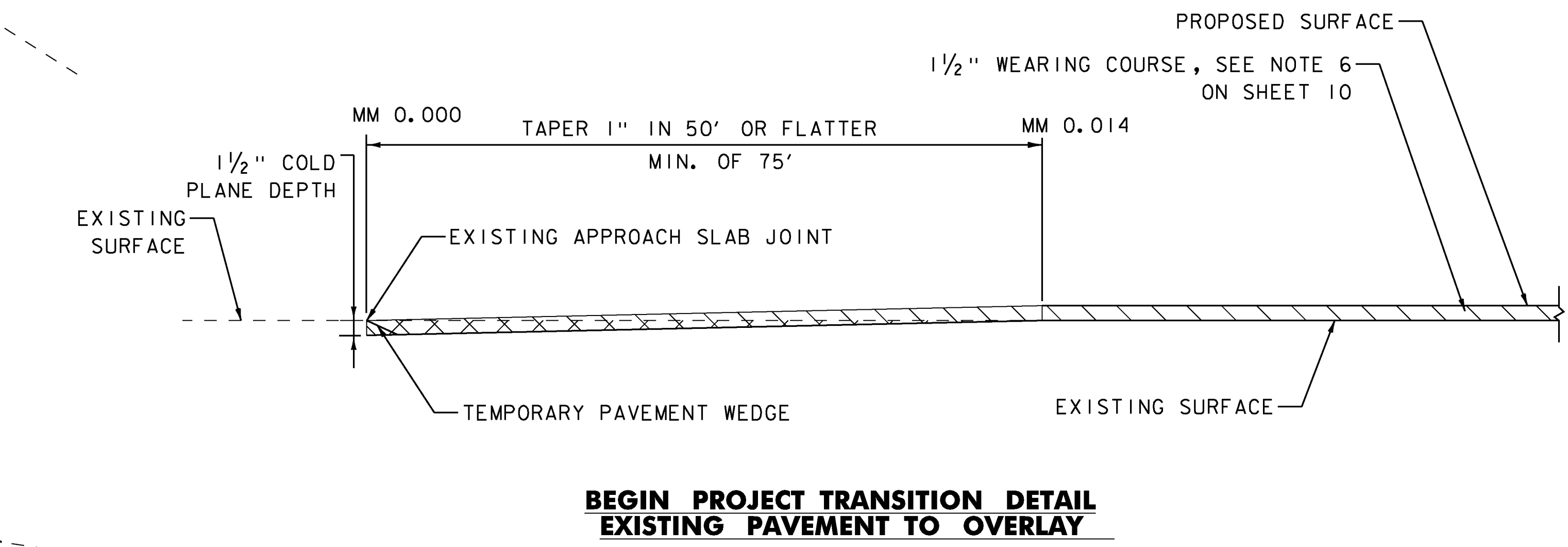
MM 0.800 TO MM 2.815



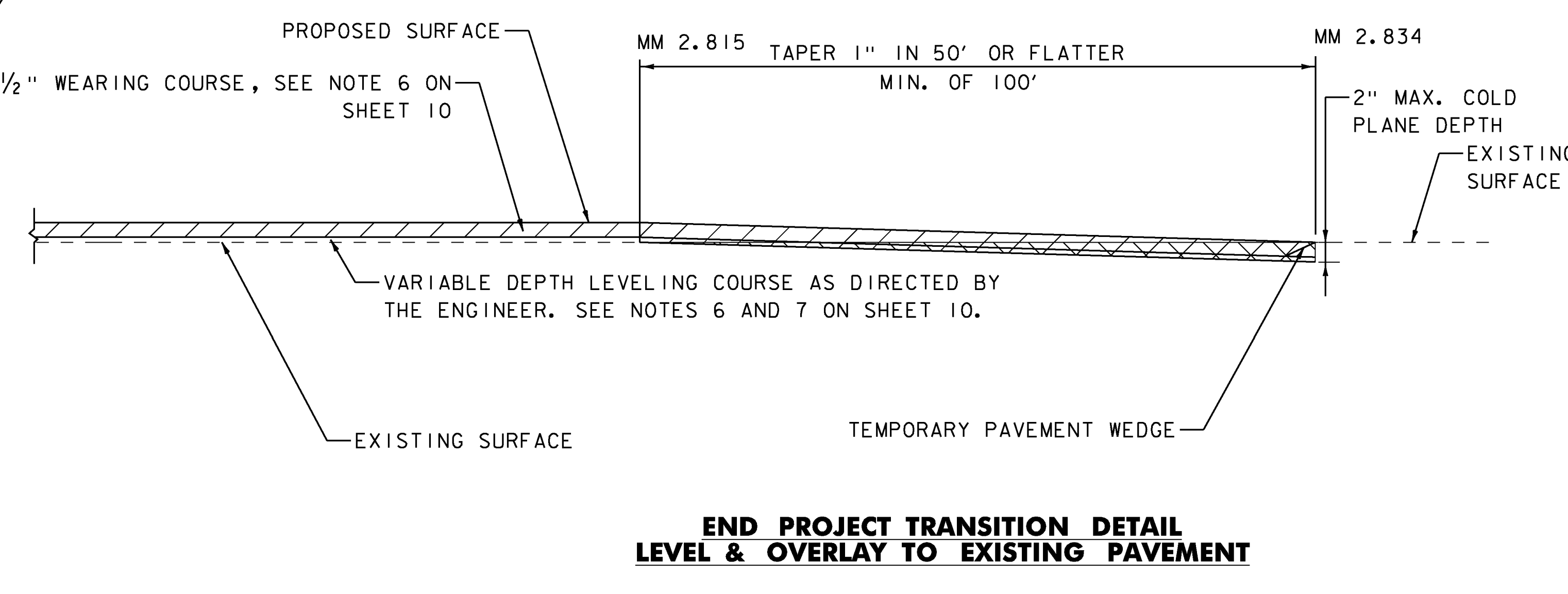
TYPICAL SECTION

TRAFFIC CIRCLE
MM 0.314 - MM 0.412

NOTE:
DUE TO VARYING LANE WIDTHS IN THE TRAFFIC CIRCLE,
REFER TO PLAN SHEET 2 FOR LANE WIDTHS.



BEGIN PROJECT TRANSITION DETAIL EXISTING PAVEMENT TO OVERLAY



END PROJECT TRANSITION DETAIL LEVEL & OVERLAY TO EXISTING PAVEMENT

NOT TO SCALE

PROJECT NAME:	ST ALBANS TOWN	PLOT DATE:	05/10/2016
PROJECT NUMBER:	STP FPAV(I)	DRAWN BY:	J. GOODALL
FILE NAME:	z16v020typ.dgn	DESIGNED BY:	J. GOODALL
PROJECT LEADER:	C. LATHROP	CHECKED BY:	C. LATHROP
PROJECT TYPICAL SHEET I		SHEET	II OF 32