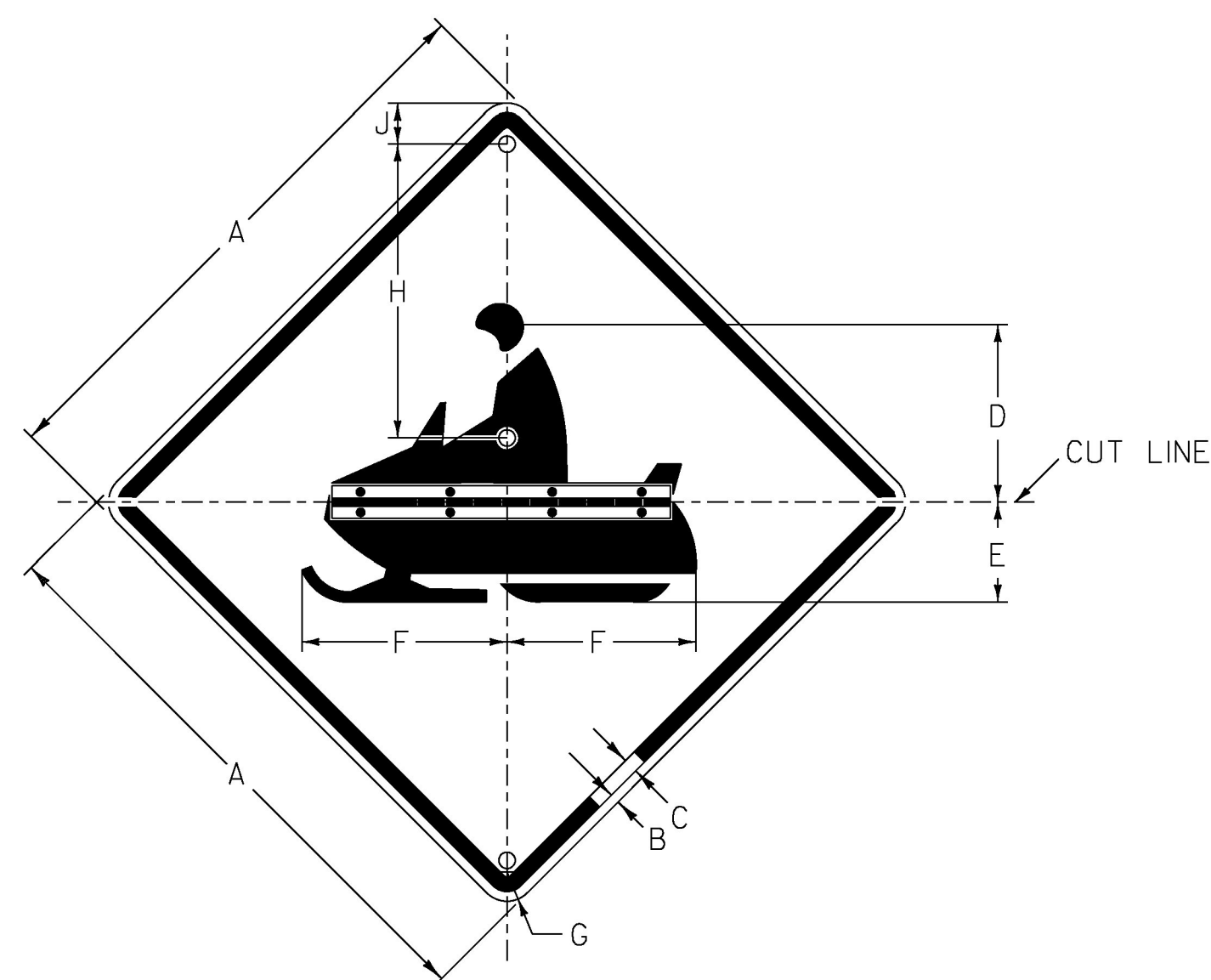
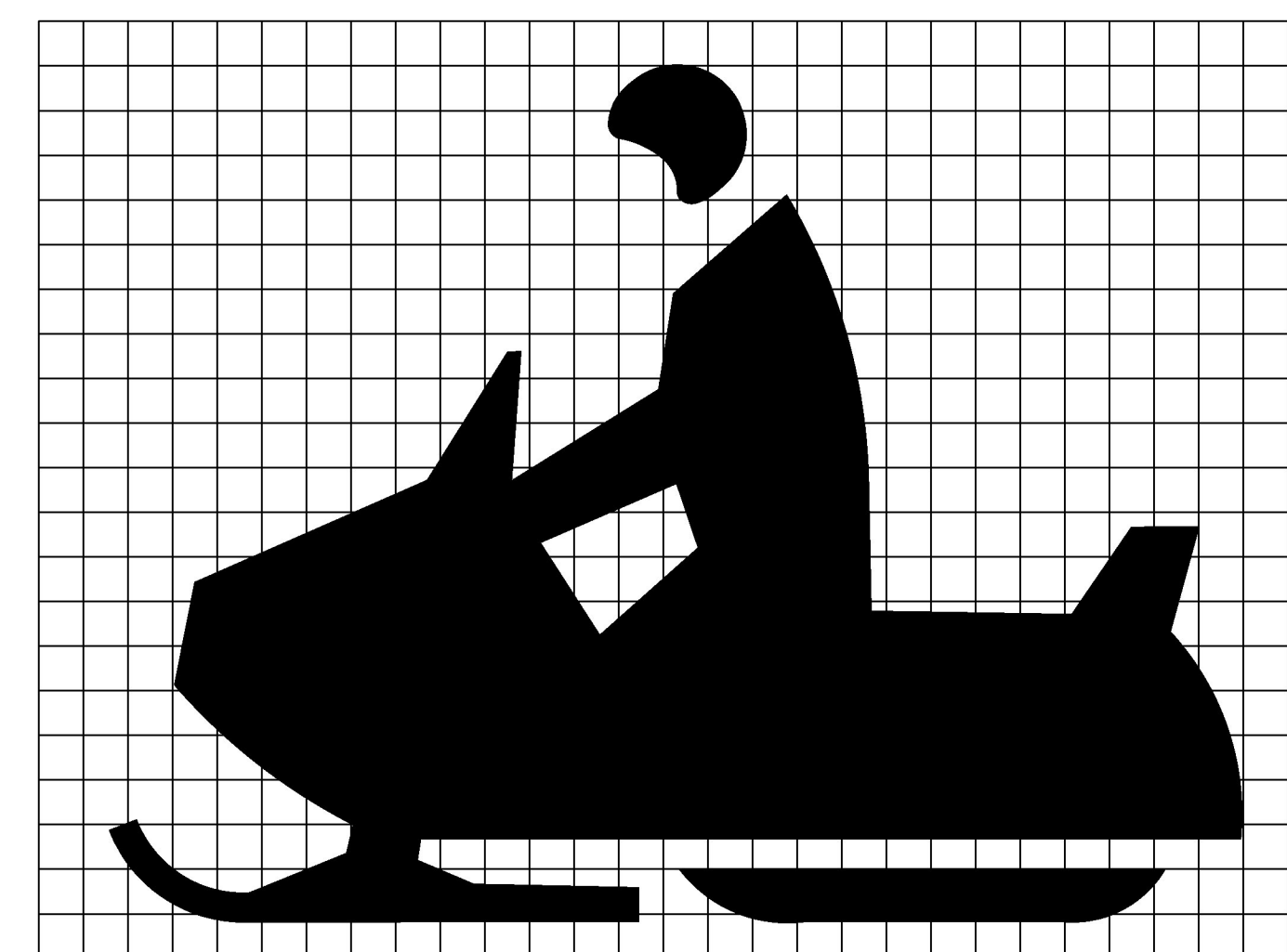
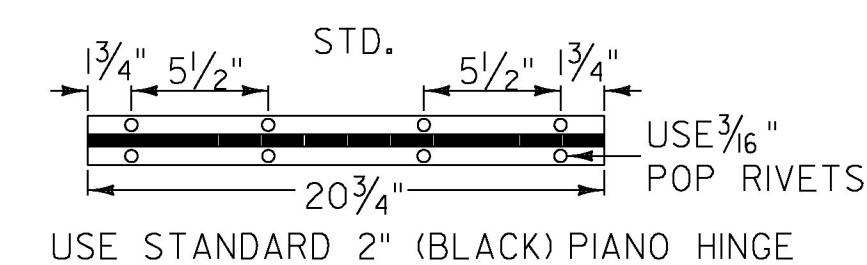


**W1-1MdL**  
**BLACK ON YELLOW**



**W11-6H**

SIGN	DIMENSIONS (INCHES)								
	A	B	C	D	E	F	G	H	J
STD.	30	1/2	3/4	11 7/16	5 5/16	12 11/16	1 7/8	14	2 1/2



1 BLOCK = 1" X 1"

**GENERAL NOTES:**

1. SIGN BASE MATERIAL FOR TRAFFIC SIGN, TYPE A SHALL BE FLAT SHEET ALUMINUM MEETING THE FLAT SHEET ALUMINUM THICKNESS CHART ON SHEET 2.
2. ALL SIGN TEXT SHALL BE IN ACCORDANCE WITH THE RESPECTIVE ALPHABET AS IDENTIFIED IN THE CURRENT "STANDARD HIGHWAY SIGNS AND MARKINGS" (SHSM) BOOK, AND ITS LATEST REVISIONS.
3. COLORS SHALL MEET THE REQUIREMENTS AS IDENTIFIED IN THE CURRENT MUTCD, AND ITS LATEST REVISIONS.
4. ALL DIMENSIONS SHOWN IN INCHES.

**VERMONT WARNING SIGN NOTES:**

1. UNLESS OTHERWISE SPECIFIED, VERMONT WARNING SIGNS SHALL BE BLACK LEGEND AND BORDER ON YELLOW RETROREFLECTIVE SHEETING EQUAL TO OR EXCEEDING THE "AMERICAN ASSOCIATION OF STATE HIGHWAY AND TRANSPORTATION OFFICIALS" (AASHTO) M 268 ["AMERICAN SOCIETY FOR TESTING AND MATERIALS" (ASTM) D 4956] TYPE IV.

ALL DIMENSIONS SHOWN IN INCHES, EXCEPT WHERE NOTED.  
NOT TO SCALE

PROJECT NAME:	STATEWIDE-NORTHWEST
PROJECT NUMBER:	STPG SIGN (58)
FILE NAME:	z16T042tsss-det.dgn
PROJECT LEADER:	B. BRESLEND
DESIGNED BY:	O. DALMER
SIGN DETAIL SHEET	9
PLOT DATE:	3/10/2017
DRAWN BY:	O. DALMER
CHECKED BY:	C. LATHROP
SHEET	13 OF 146