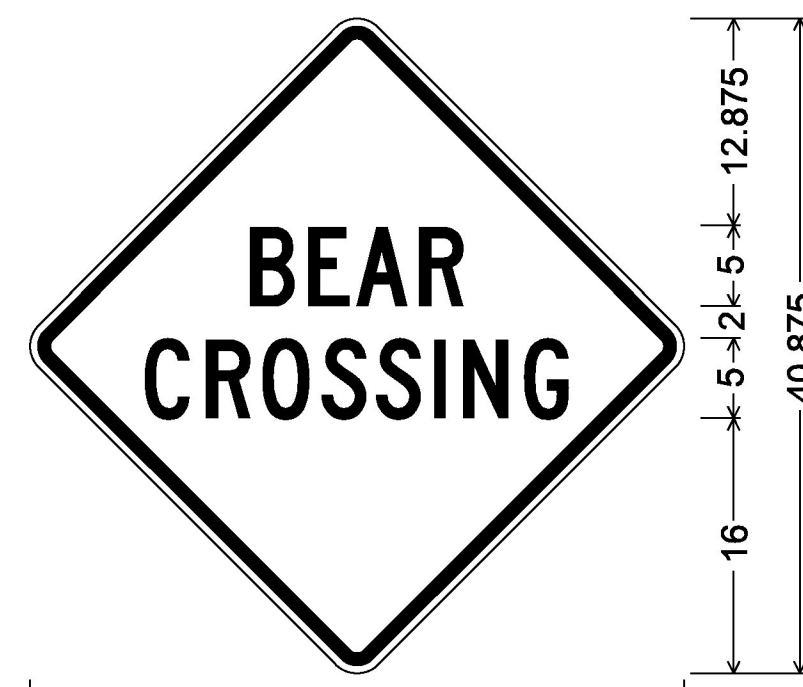
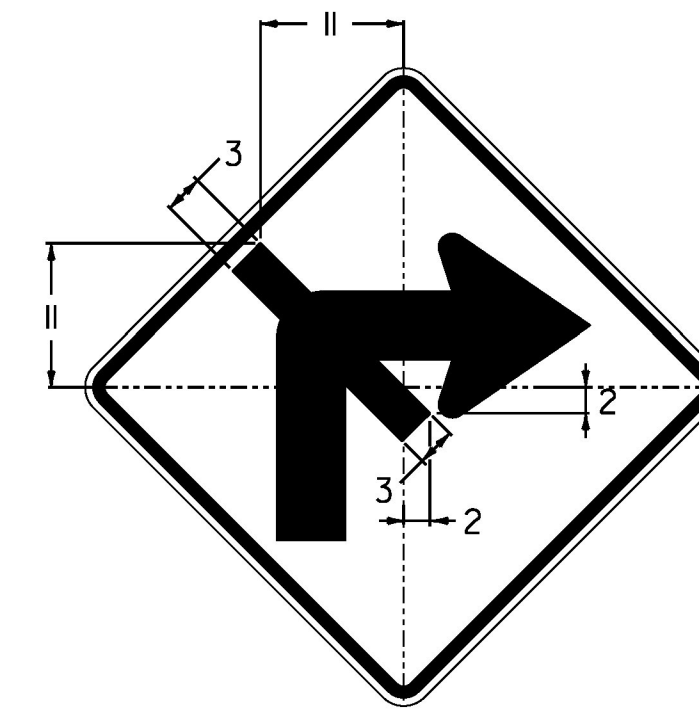


VW-268

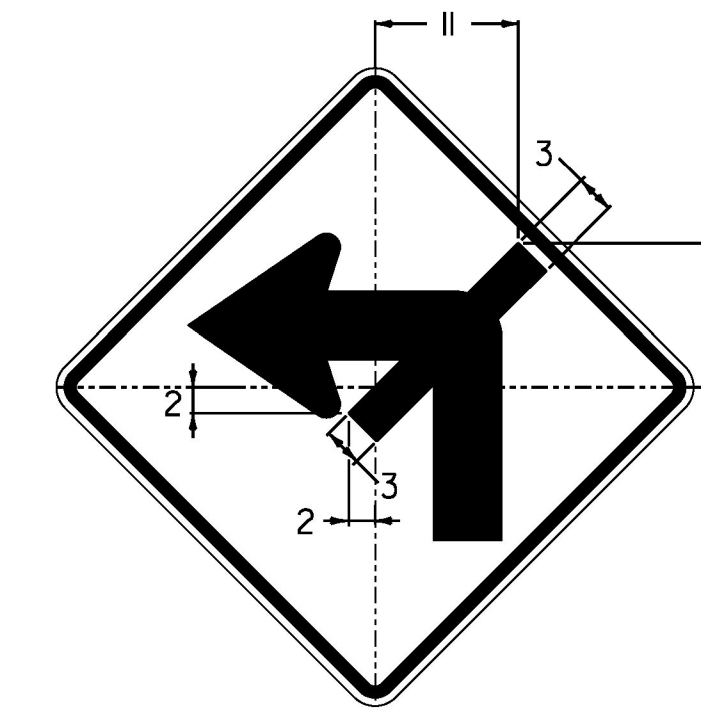


30.000" across sides 1.875" Radius,
0.750" Border, 0.500" Indent, Black on Yellow;
[BEAR] C 2K; [CROSSING] C 2K;

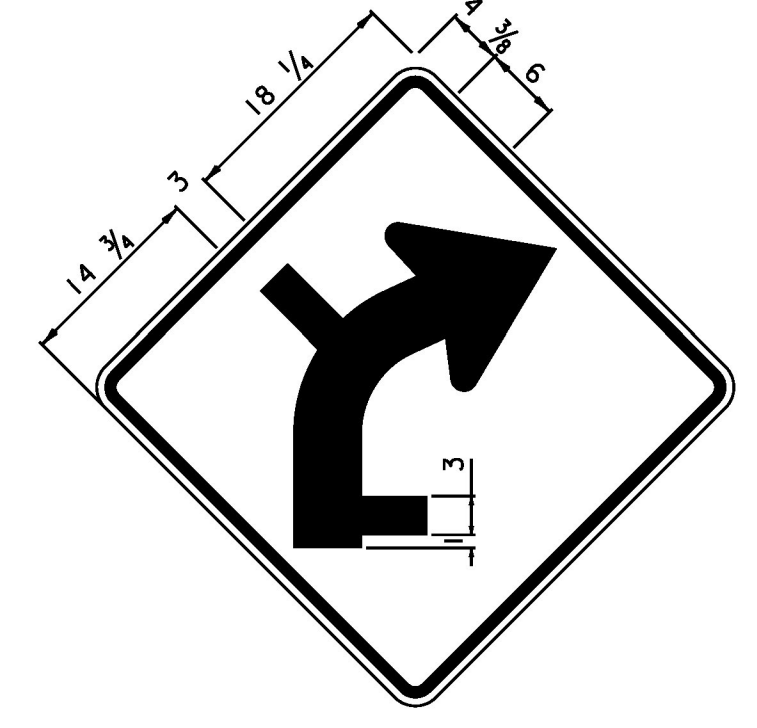
VW-050



DIMENSIONS NOT SHOWN
FOR THIS DETAIL SHALL CONFORM
TO THE LATEST EDITION OF THE 2009 MUTCD
FOR A 36"x36" SIGN DETAIL W1-IR.
UNLESS OTHERWISE NOTED FOR THIS DETAIL



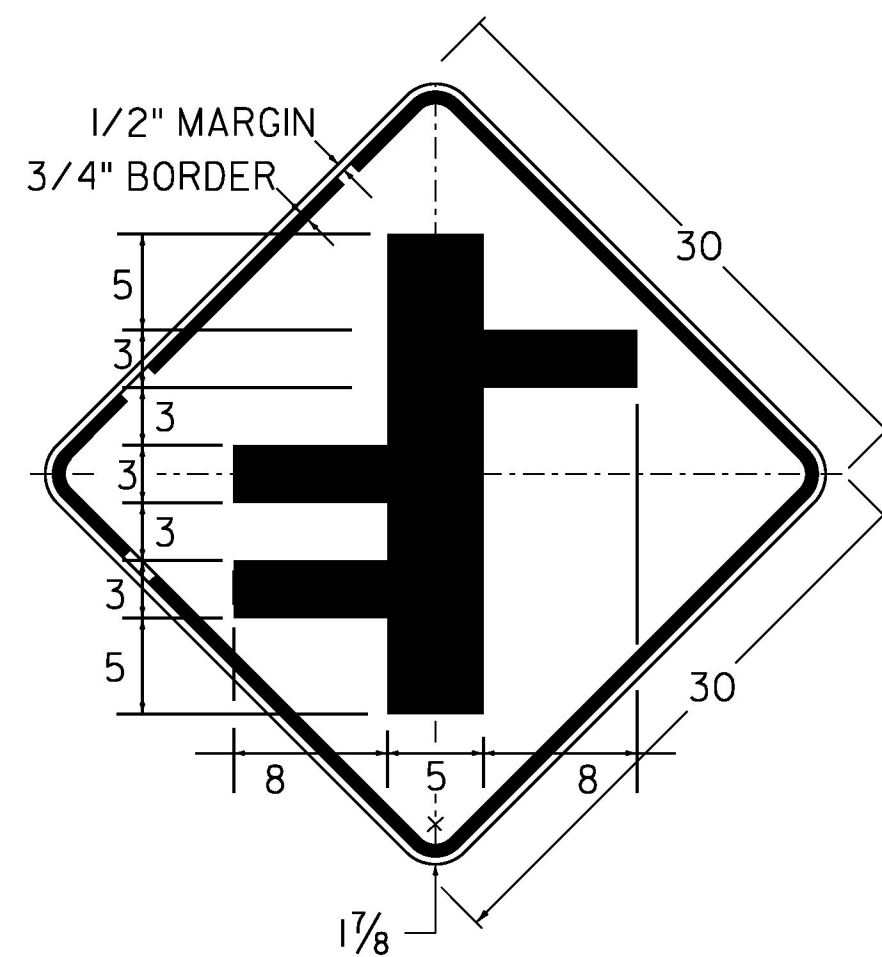
DIMENSIONS NOT SHOWN
FOR THIS DETAIL SHALL CONFORM
TO THE LATEST EDITION OF THE 2009 MUTCD
FOR A 36"x36" SIGN DETAIL W1-IL.
UNLESS OTHERWISE NOTED FOR THIS DETAIL



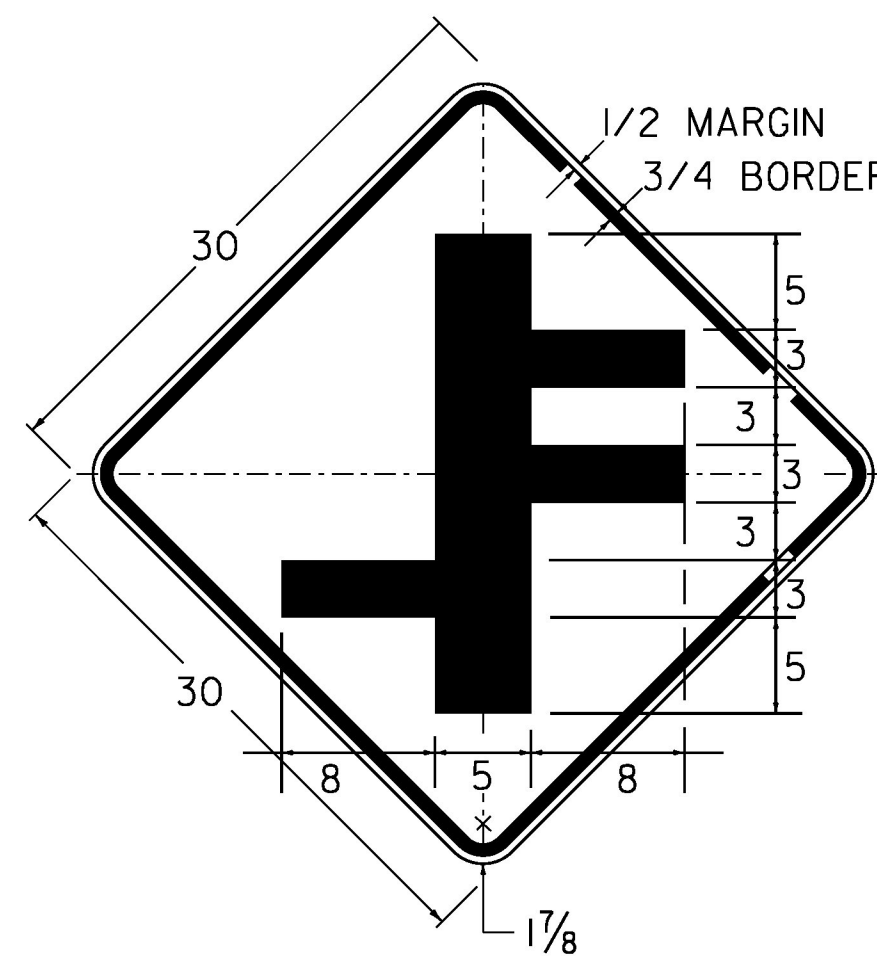
W1-2MjR
DIMENSIONS NOT SHOWN
FOR THIS DETAIL SHALL CONFORM
TO THE LATEST EDITION OF THE 2009 MUTCD
FOR A 36"x36" SIGN DETAIL W1-2R.
UNLESS OTHERWISE NOTED FOR THIS DETAIL

SIGN	DIMENSIONS (INCHES)										
	A	B	C	D	E	F	G	H	J	K	
MIN	30	3/8	5/8	5B*	3 3/4	1 3/4	5C*	1 7/8	15 1/4	8 5/8	
STD	36	5/8	7/8	6B	4	2	6C*	2 1/4	18 1/2	10 1/2	

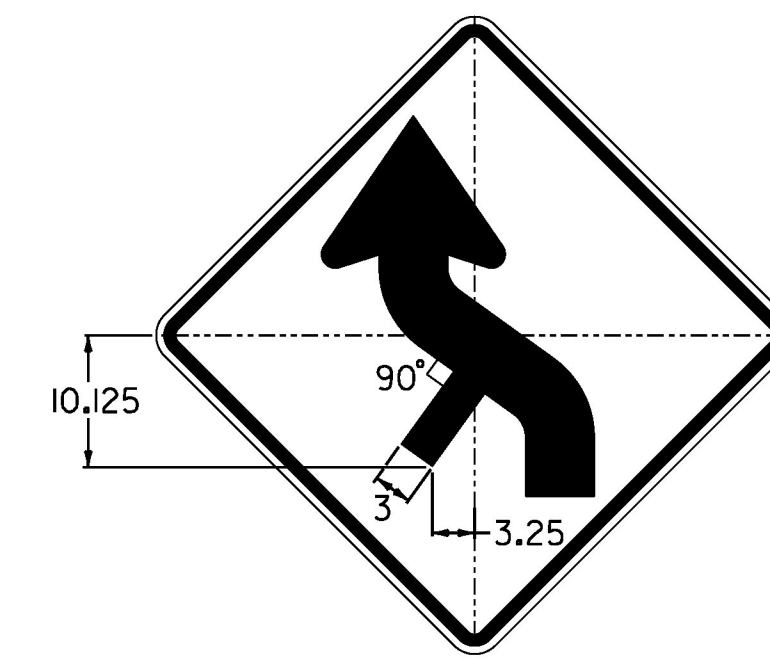
COLORS
BLACK TEXT & BORDER
REFLECTIVE YELLOW BACKGROUND
* REDUCE SPACING BY 25%



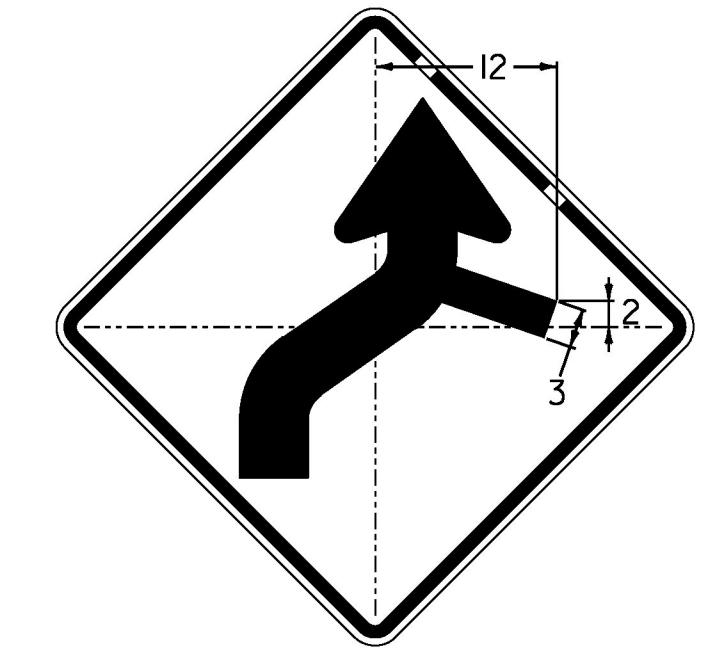
COLORS
BLACK TEXT & BORDER
REFLECTIVE YELLOW BACKGROUND



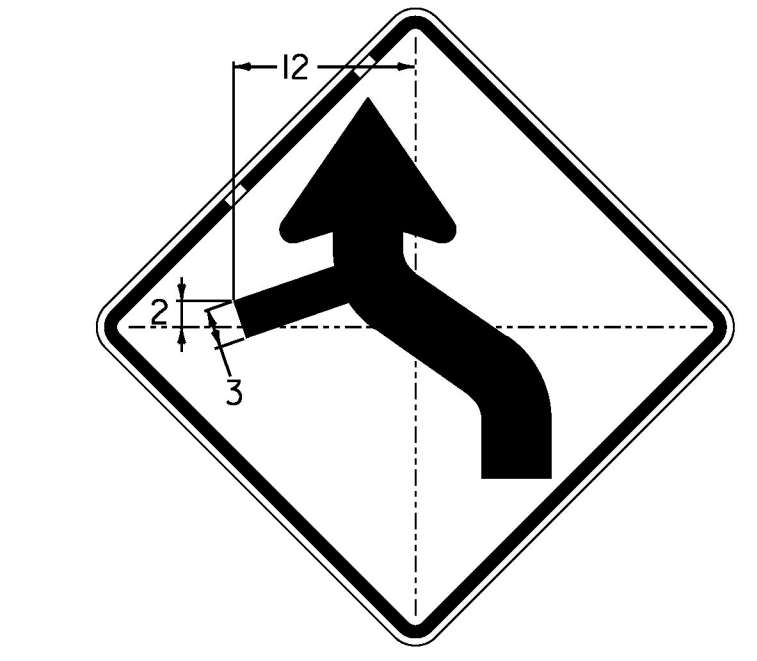
COLORS
BLACK TEXT & BORDER
REFLECTIVE YELLOW BACKGROUND



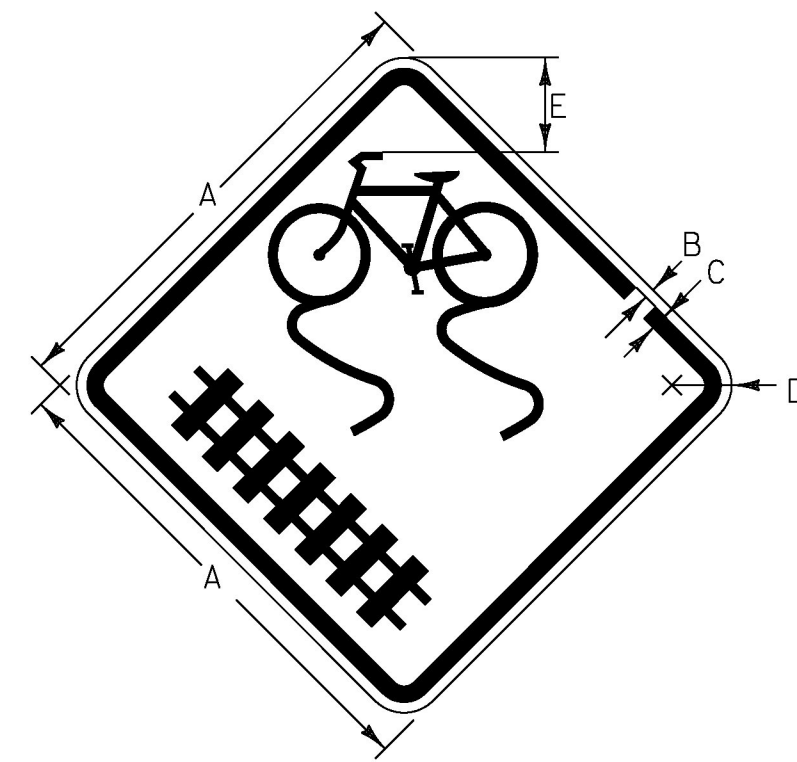
W1-4MdL
DIMENSIONS NOT SHOWN
FOR THIS DETAIL SHALL CONFORM
TO THE LATEST EDITION OF THE 2009 MUTCD
FOR A 36"x36" SIGN DETAIL W1-4L.
UNLESS OTHERWISE NOTED FOR THIS DETAIL



W1-4MeR
DIMENSIONS NOT SHOWN
FOR THIS DETAIL SHALL CONFORM
TO THE LATEST EDITION OF THE 2009 MUTCD
FOR A 36"x36" SIGN DETAIL W1-4R.
UNLESS OTHERWISE NOTED FOR THIS DETAIL



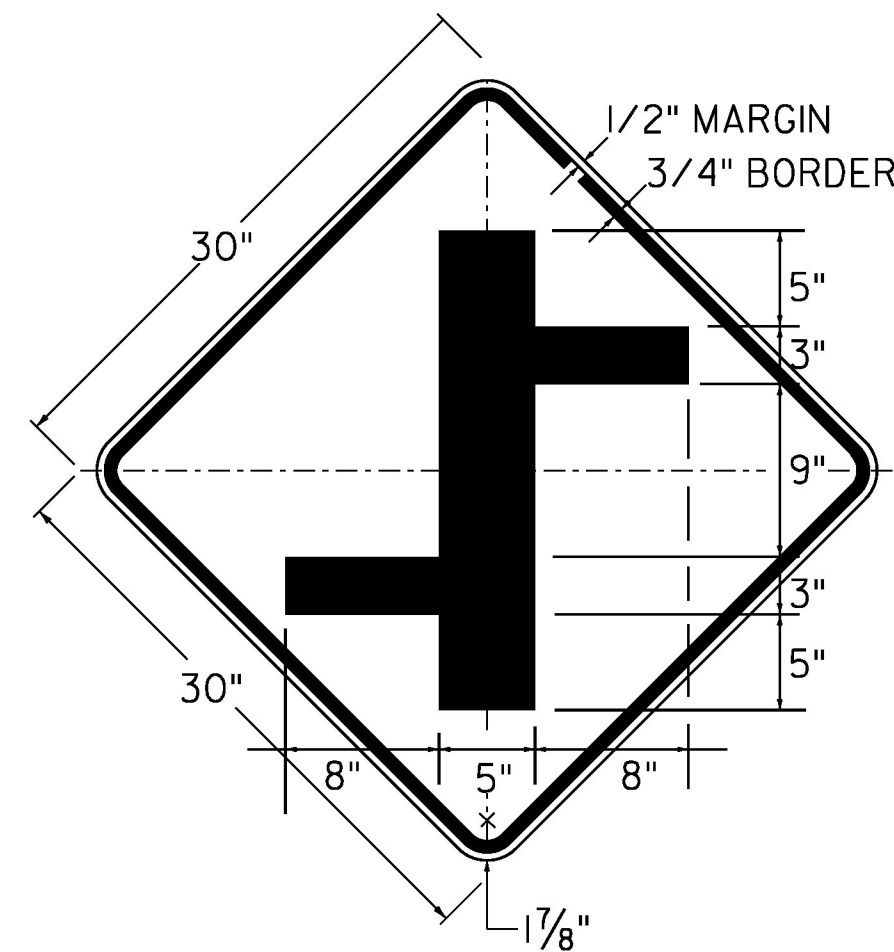
W1-4MeL
DIMENSIONS NOT SHOWN
FOR THIS DETAIL SHALL CONFORM
TO THE LATEST EDITION OF THE 2009 MUTCD
FOR A 36"x36" SIGN DETAIL W1-4L.
UNLESS OTHERWISE NOTED FOR THIS DETAIL



VW-376

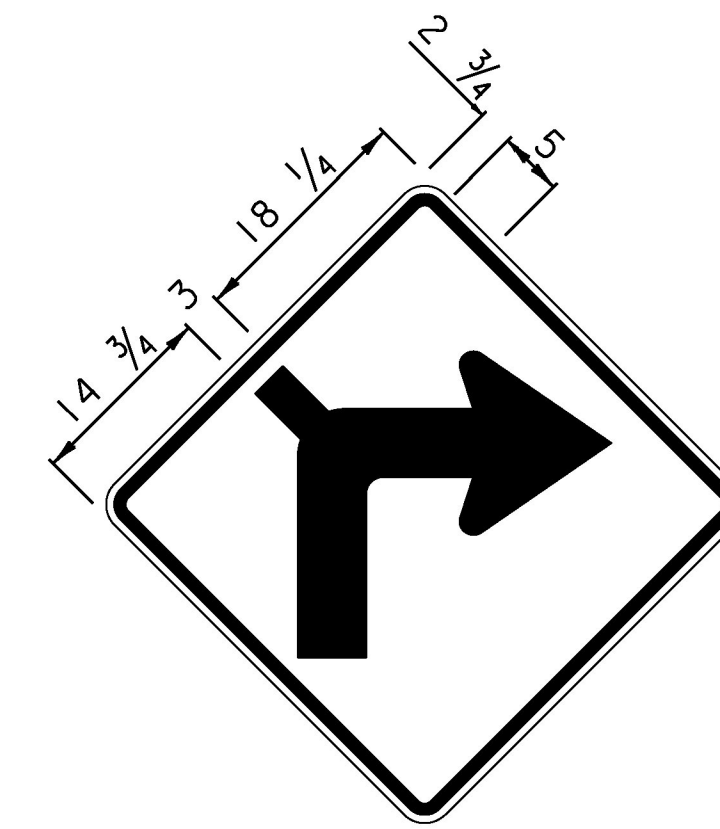
COLORS
BLACK TEXT & BORDER
REFLECTIVE YELLOW BACKGROUND

SIGN	DIMENSIONS (INCHES)				
	A	B	C	D	E
STD.	30	1/2	3/4	1 7/8	5 13/16



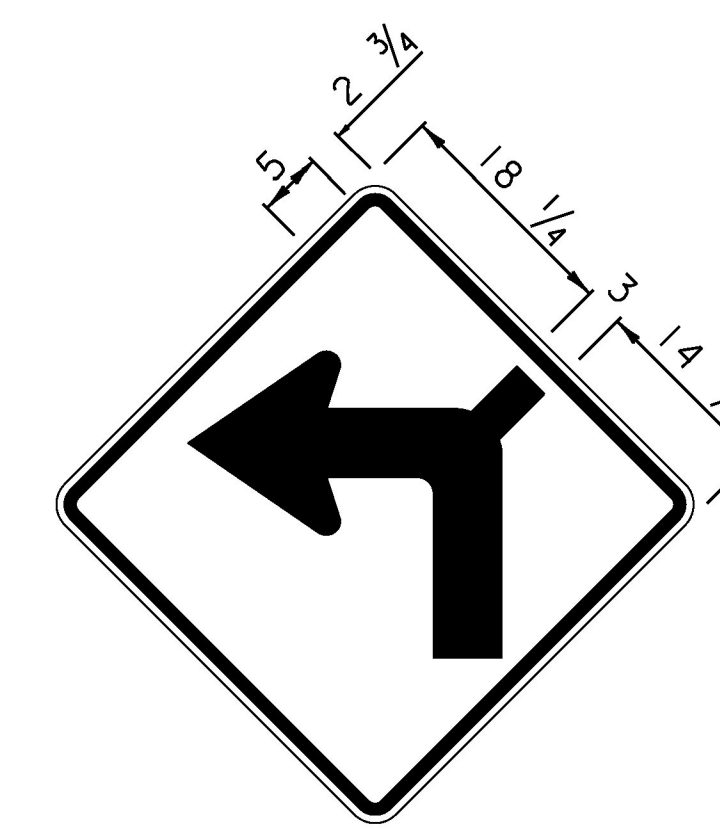
W2-1MdL

COLORS
BLACK TEXT & BORDER
REFLECTIVE YELLOW BACKGROUND



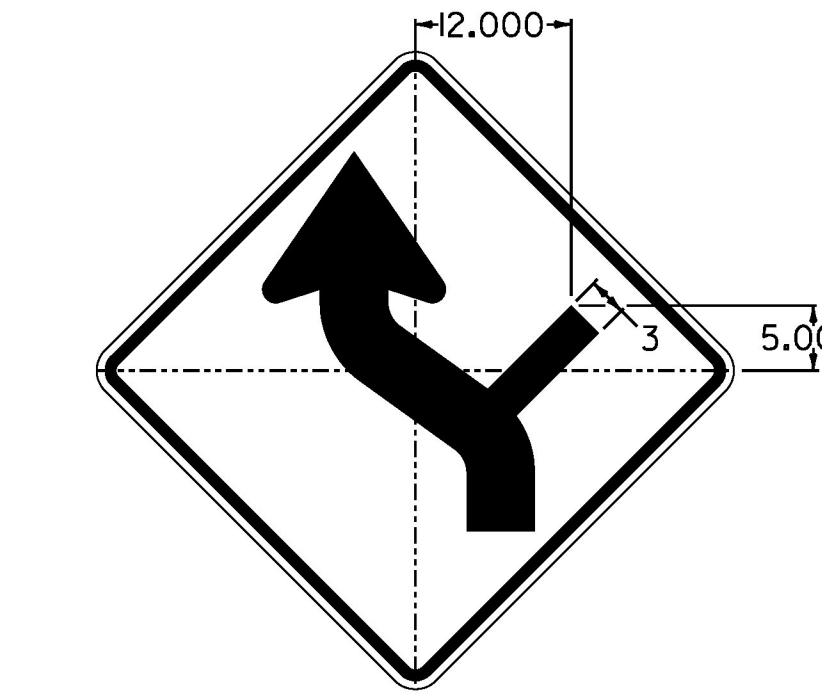
W1-1MdR

DIMENSIONS NOT SHOWN
FOR THIS DETAIL SHALL CONFORM
TO THE LATEST EDITION OF THE 2009 MUTCD
FOR A 36"x36" SIGN DETAIL W1-R.
UNLESS OTHERWISE NOTED FOR THIS DETAIL



W1-1MdL

DIMENSIONS NOT SHOWN
FOR THIS DETAIL SHALL CONFORM
TO THE LATEST EDITION OF THE 2009 MUTCD
FOR A 36"x36" SIGN DETAIL W1-L.
UNLESS OTHERWISE NOTED FOR THIS DETAIL



DIMENSIONS NOT SHOWN
FOR THIS DETAIL SHALL CONFORM
TO THE LATEST EDITION OF THE 2009 MUTCD
FOR A 36"x36" SIGN DETAIL W1-L.
UNLESS OTHERWISE NOTED FOR THIS DETAIL

NOT TO SCALE

PROJECT NAME: STATEWIDE-SOUTH REGION
PROJECT NUMBER: STPG SIGN(57)

FILE NAME: z16t041frm.dgn
PROJECT LEADER: D. MUNRO
DESIGNED BY: S. GOODWIN
SIGN DETAILS SHEET 2

PLOT DATE: 2/27/2017
DRAWN BY: P. MCKECHNIE
CHECKED BY: J. BRZEZOWSKI
SHEET 7 OF 264