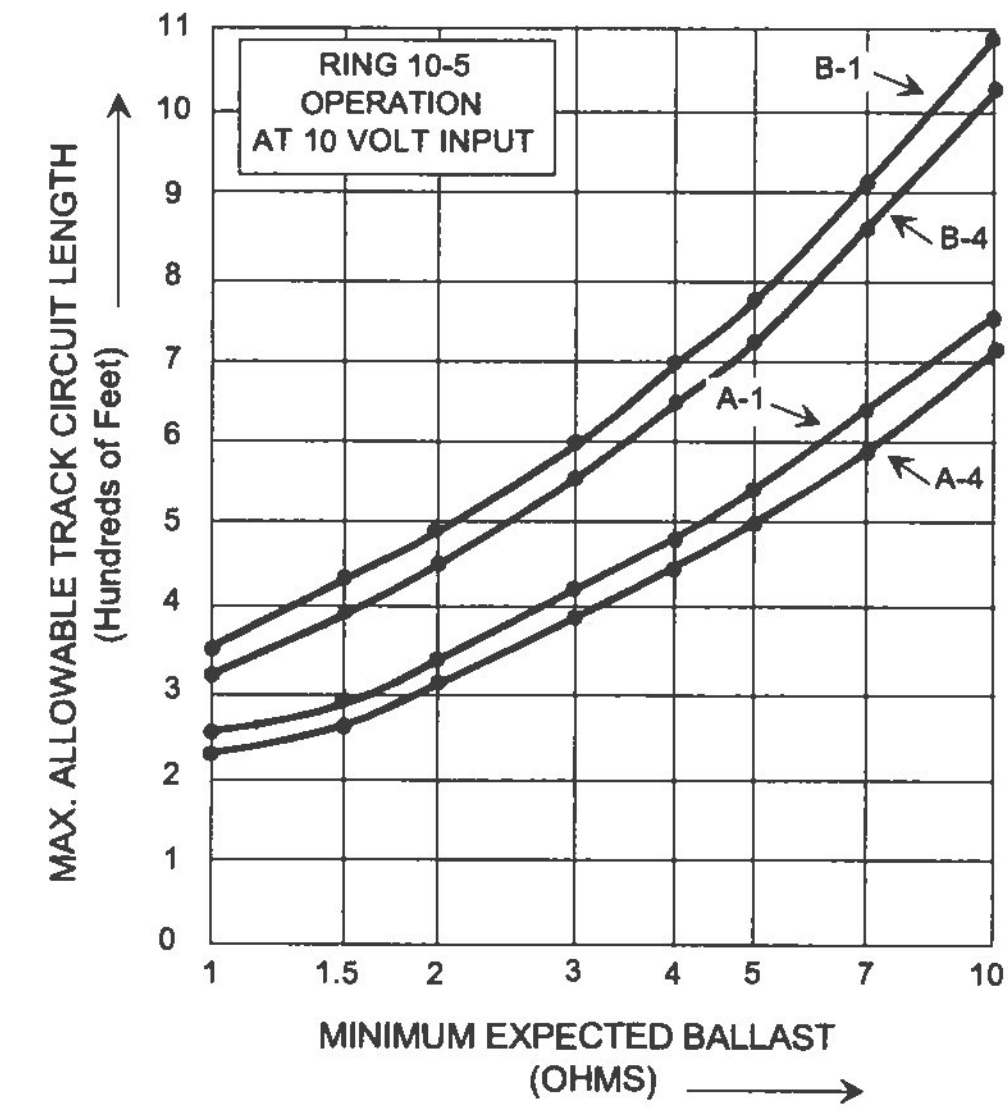
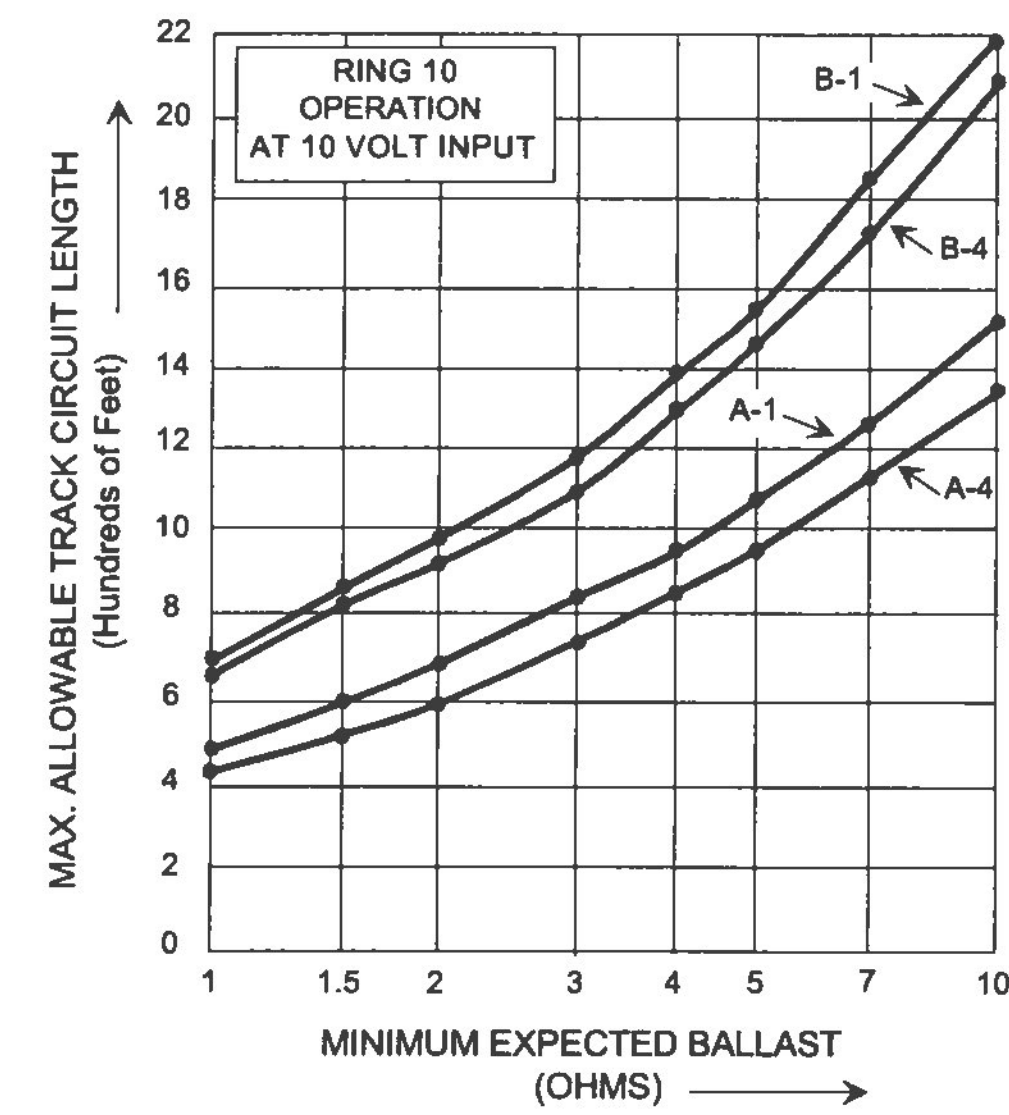


Installation

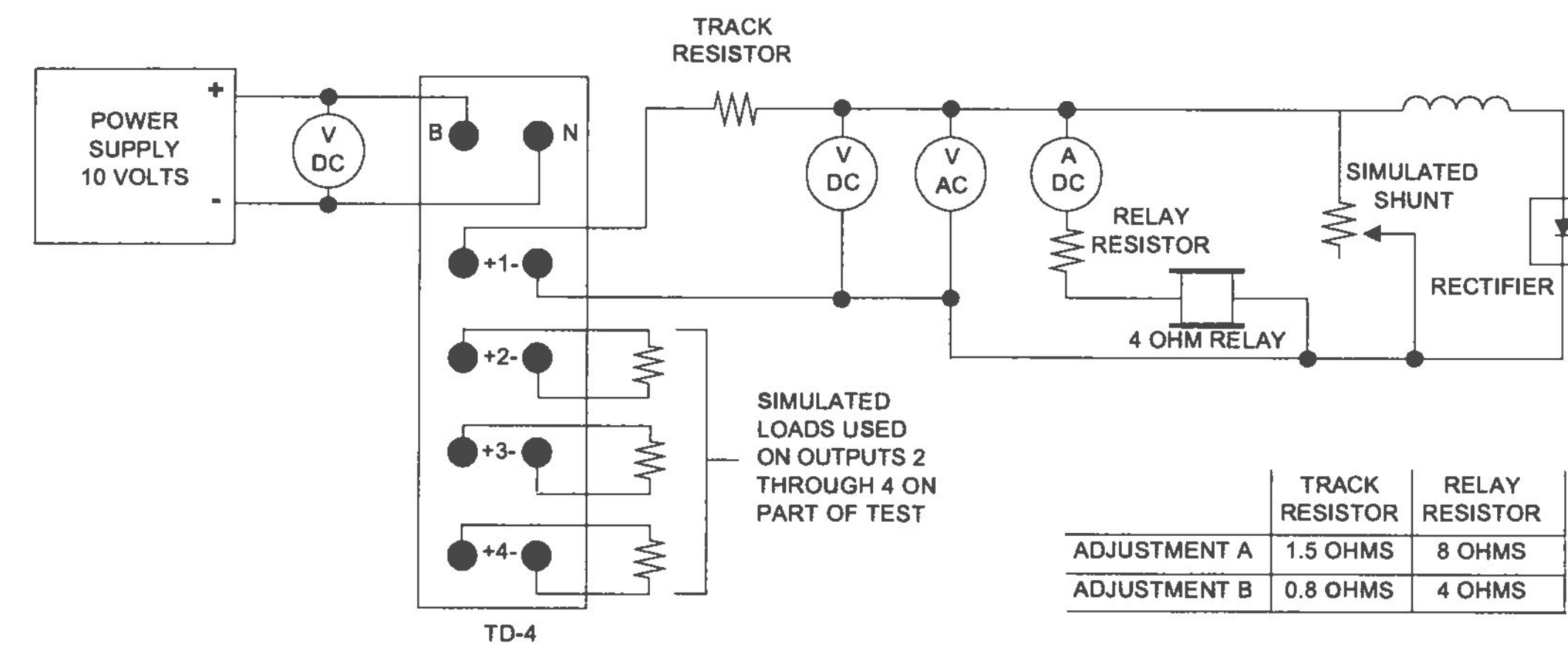


B-1 Adjustment B, One Output Loaded\*  
 B-4 Adjustment B, Four Outputs Loaded\*

A-1 Adjustment A, One Output Loaded\*  
 A-4 Adjustment A, Four Outputs Loaded\*

\* See Diagram Below

Maximum Track Circuit Length VS. Minimum Expected Ballast



Test Condition for Determining Track Length VS. Ballast

TD4fig2