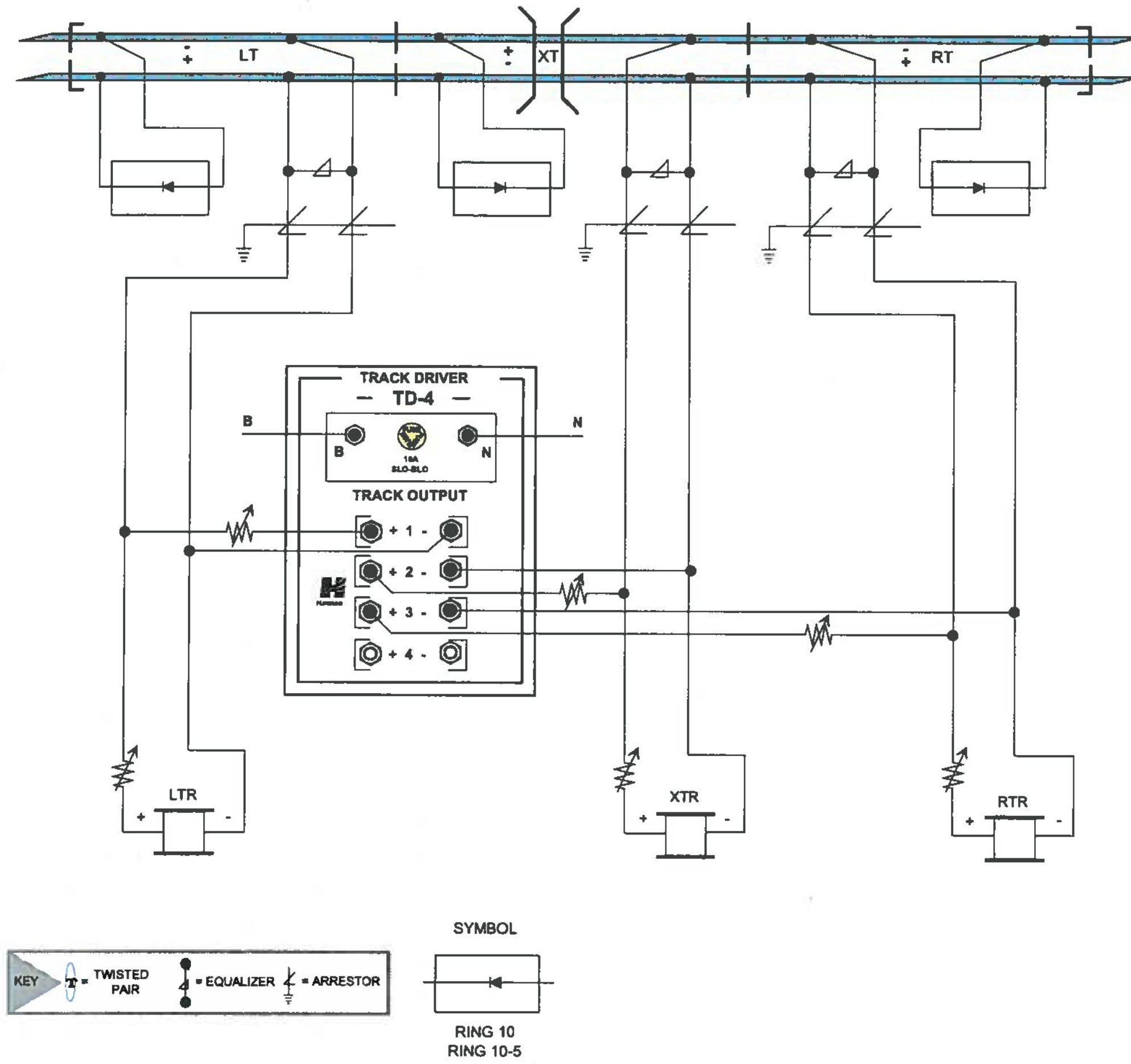
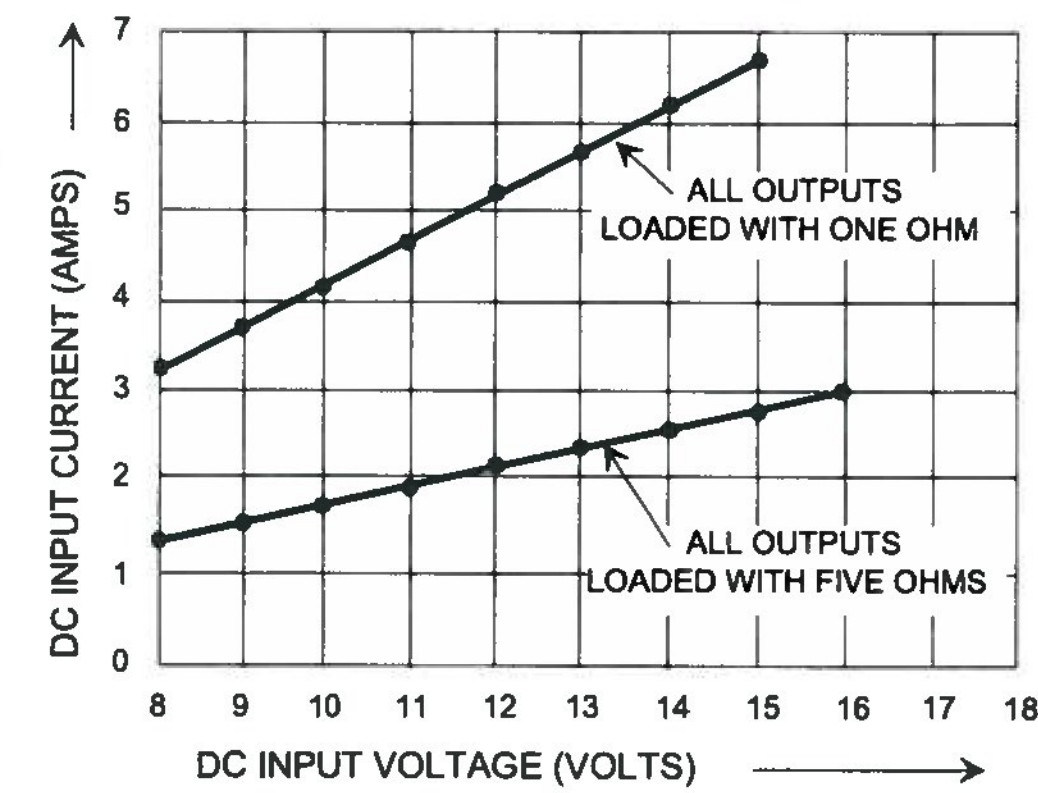
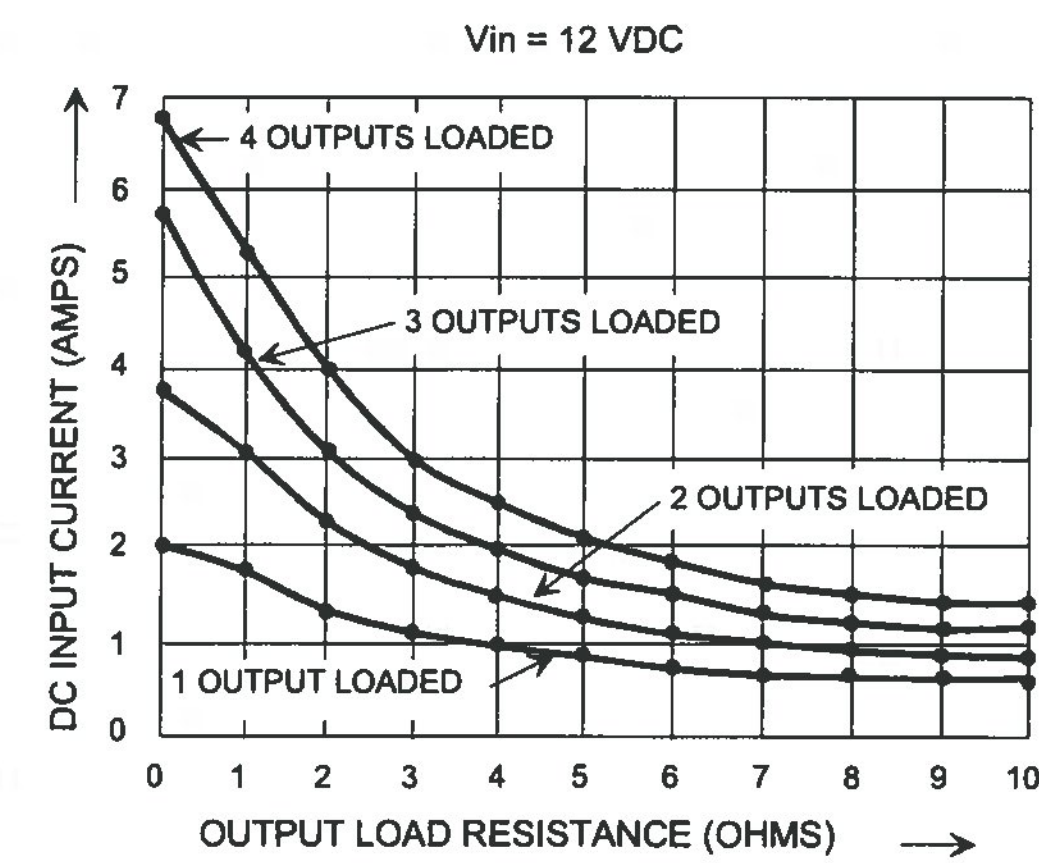


Application



Universal AC-DC Track Circuit (Typical Application)

TD4app



Track Driver Operating Characteristics

TD4fig1