

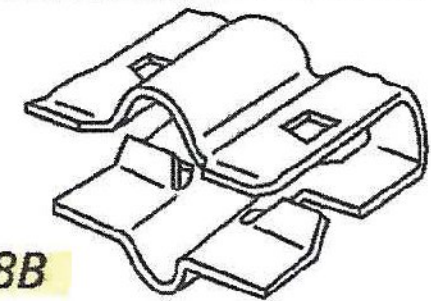
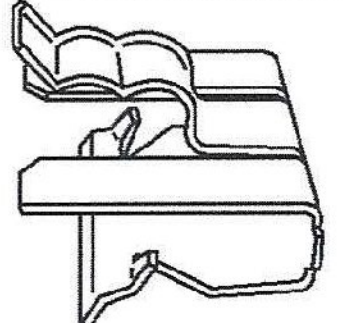
Cable Clips

Retainer Clips

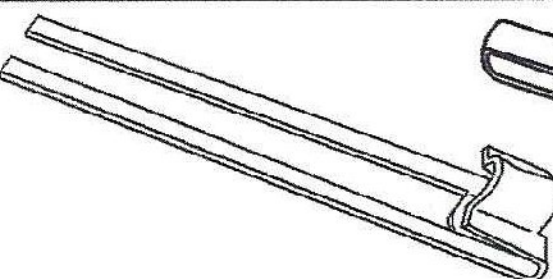
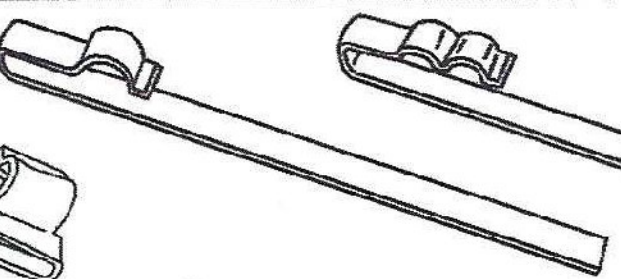
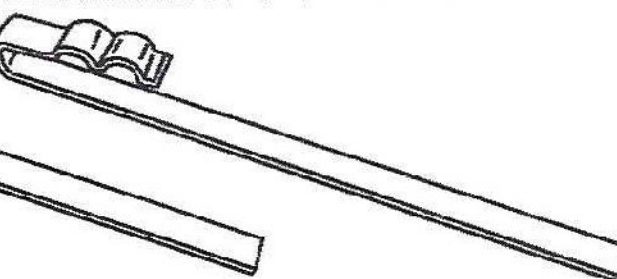
Design Features

- Spring steel and "snap-on" designs mean no more holes to drill.
- Flexibility - wide range of clips fit all standard rails and a variety of conductors.
- Versatility - ERICO now enables you to secure cables — reducing maintenance and improving wayside safety.

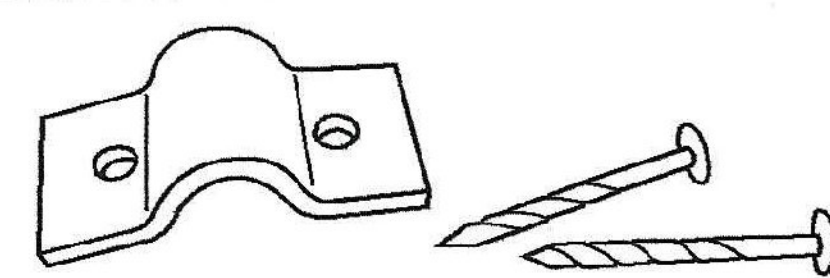
Electroplated Spring Steel


			
A248B		A251	
Part Number	Max Cable Diameter	Position on Rail Base	Standard Packaging
A248B	3/8"	Perpendicular	50
A251	3/8"	Double Parallel	50

Electroplated Steel

					
A154/A206		A203/A205		A219	
Part Number	Max Cable Diameter	Position on Rail Base	Standard Packaging	Part Number	Max Cable Diameter
A154	5/16"	Perpendicular	50	A203	5/16"
A203	5/16"	Parallel	100	A205	1/2"
A205	1/2"	Parallel	100	SBA206	1/2"
SBA206	1/2"	Perpendicular	50	A219	5/16"
A219	5/16"	Double Parallel	100		

PVC Cable Keeper

	
Part Number	Description
T375	7/16" Diameter Cable Keeper – 2 Holes w/nails

	Vermont Agency of Transportation Lyndon STPG SGNL(48) Project
<input checked="" type="checkbox"/> Approved	Fabrication/Installation may be undertaken
<input type="checkbox"/> Approved as Corrected	Approval provided comments are incorporated
<input type="checkbox"/> Correct, Revise and Resubmit	Fabrication/Installation MAY NOT be undertaken
<input type="checkbox"/> No Action Taken	Review / approval does not relieve the contractor from complying with all the requirements of the contract