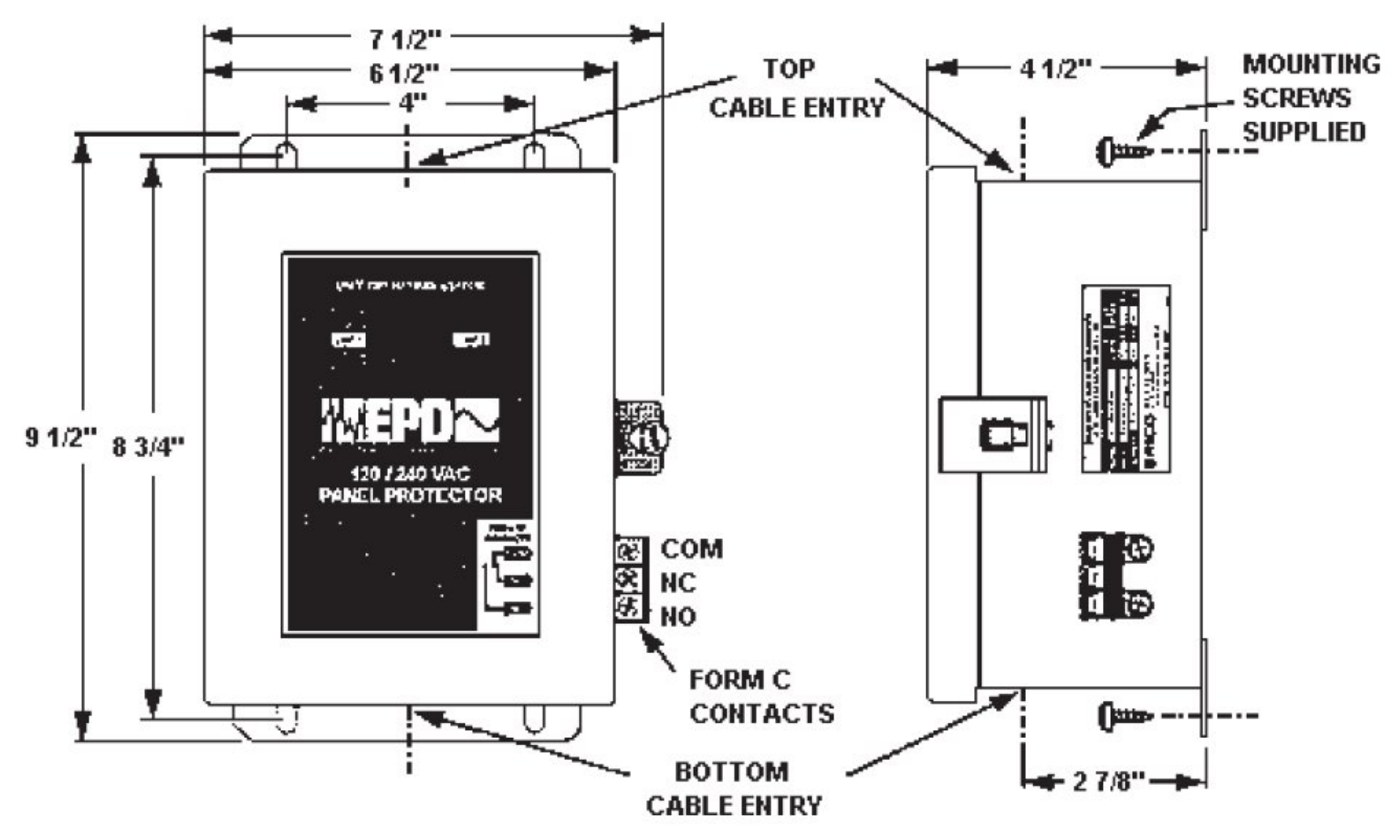
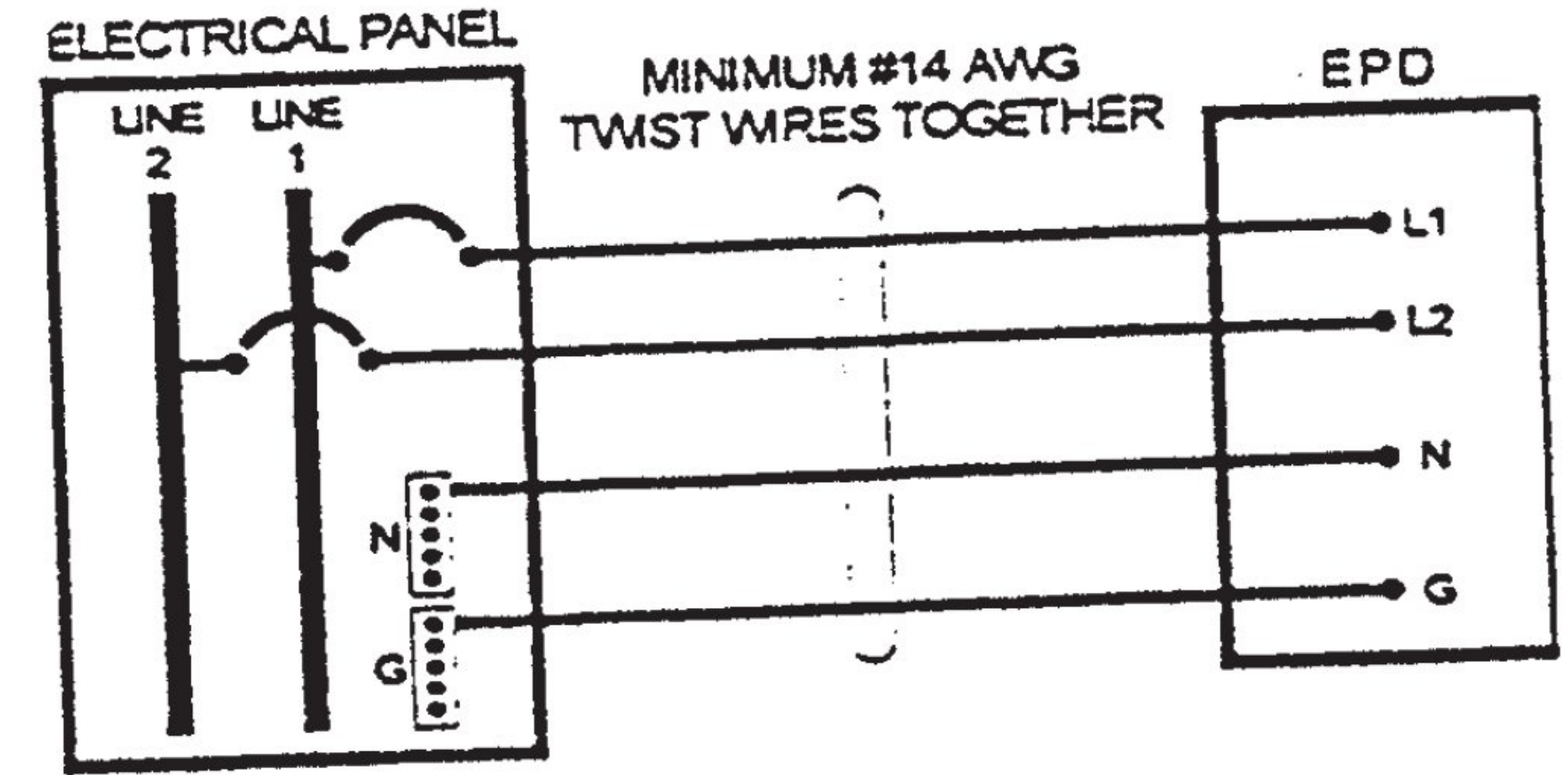


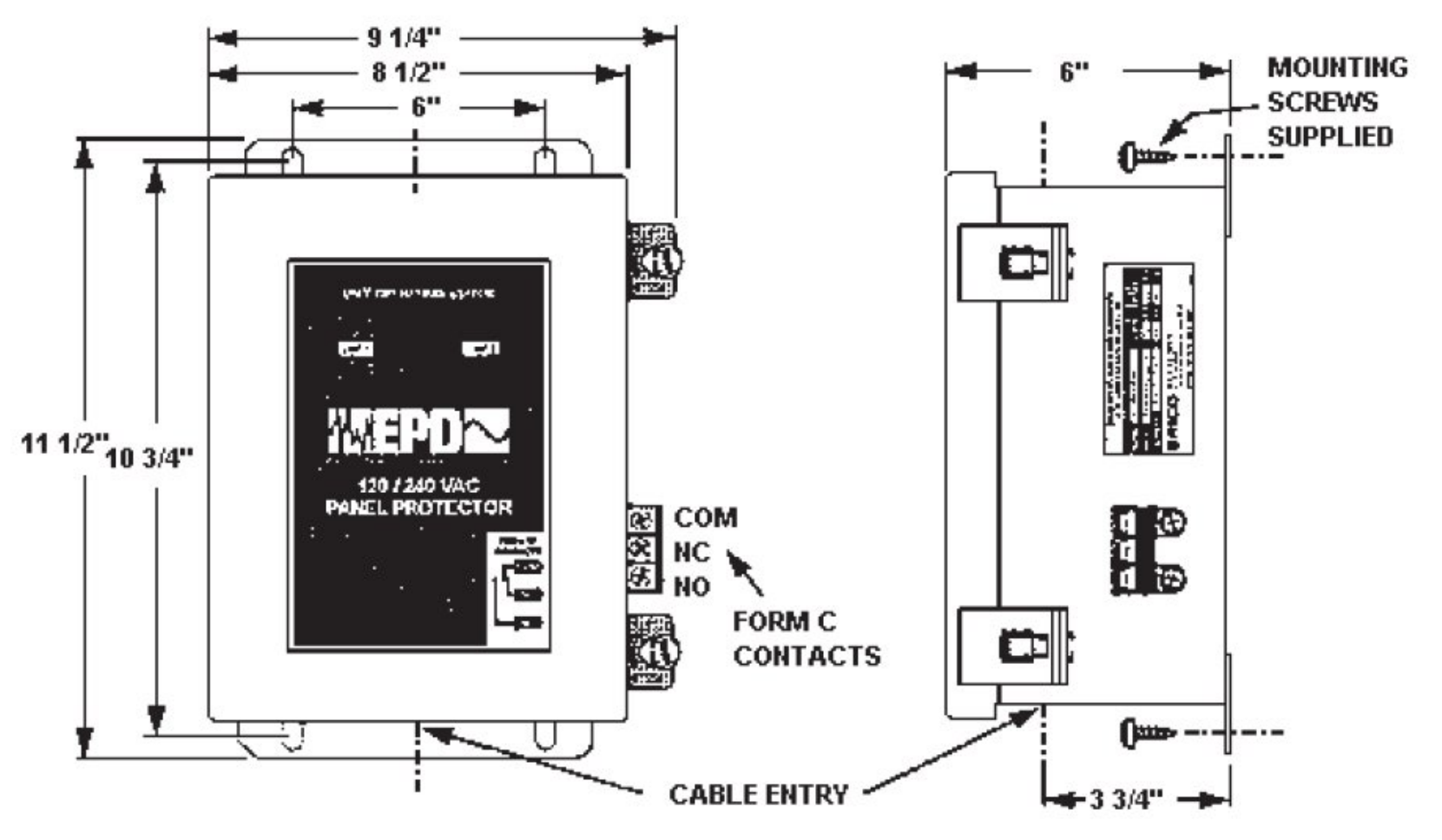
This Drawing, which contains proprietary information is the property of General Electric Company. It shall not be reproduced in any manner nor disclosed to third parties without written permission of General Electric Company



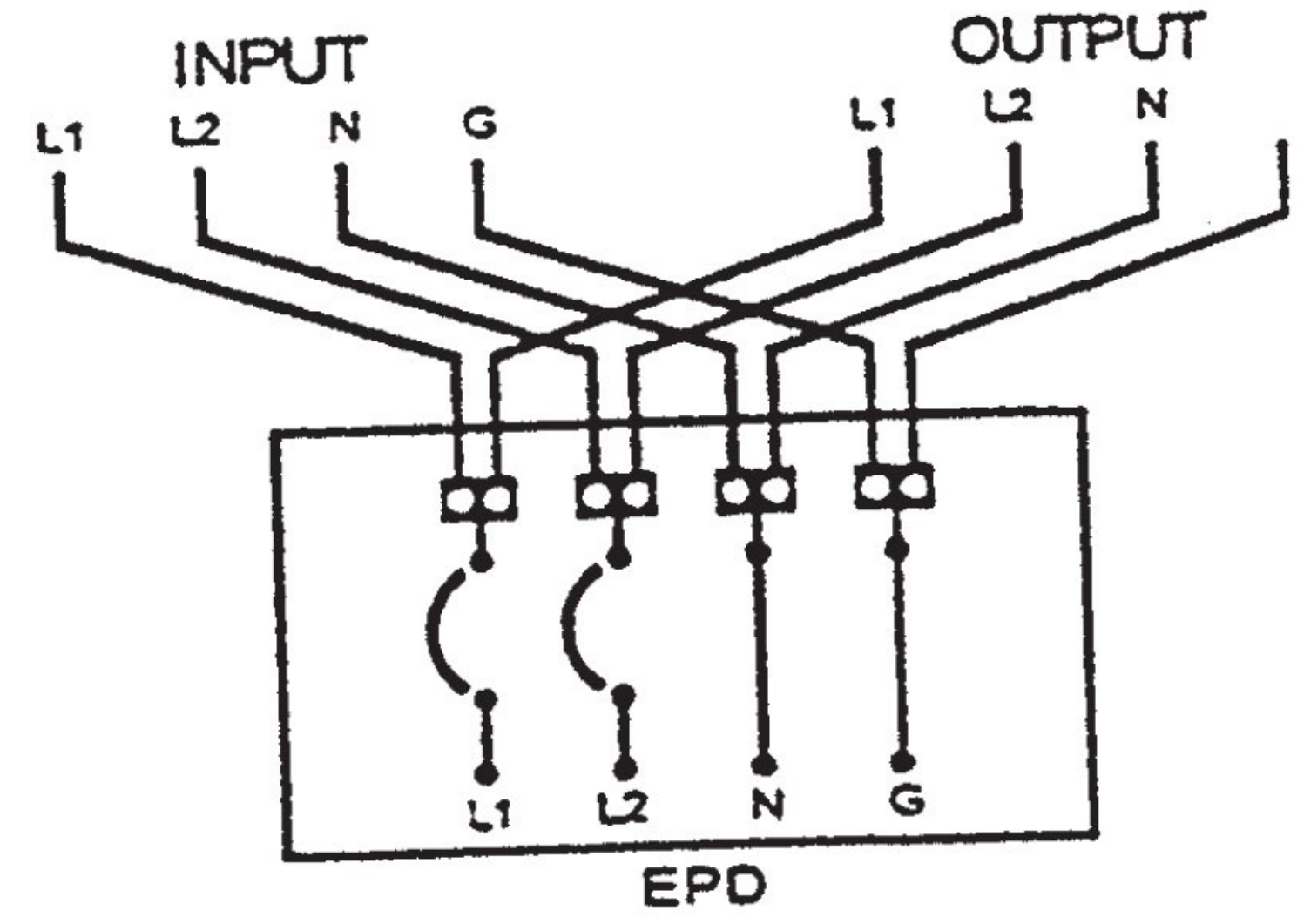
**FIGURE 6: SURGE PROTECTOR HPN -003 AND -005**  
**NOTE: HPN -005 HAS FLYING LEADS NOT SHOWN IN FIGURE 6.**



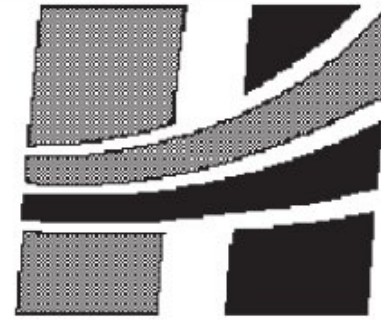
**FIGURE 7: WIRING DIAGRAM FOR HPN -003 AND HPN -005**



**FIGURE 8: SURGE PROTECTOR HPN-004**



**FIGURE 9: WIRING DIAGRAM FOR HPN -004**

REV CC0	
 Harmon Industries Grain Valley, MO	
Title SURGE PROTECTOR WITH INDICATORS	
Drawing No. 010132-XXX	Sheet 3 of 3