

This Drawing, which contains proprietary information is the property of General Electric Company. It shall not be reproduced in any manner nor disclosed to third parties without written permission of General Electric Company.

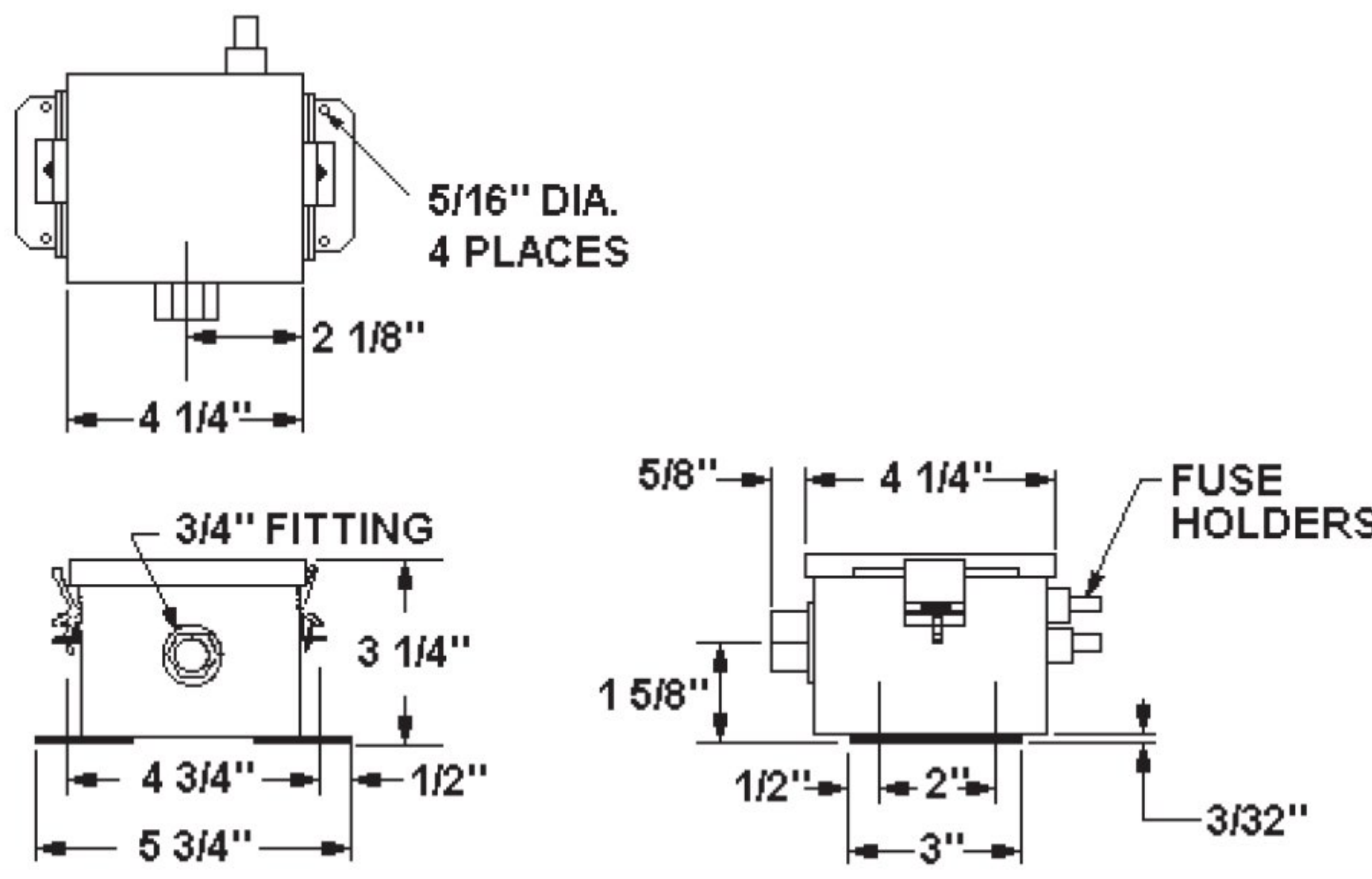


FIGURE 1: SURGE PROTECTOR HPN -000

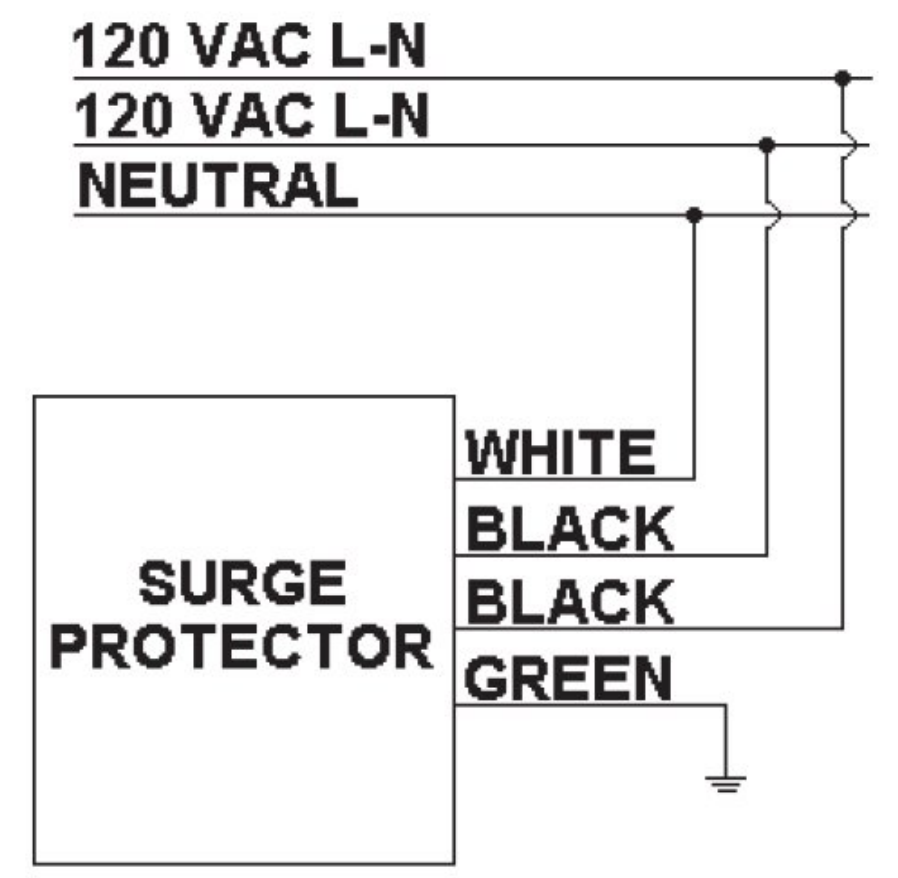


FIGURE 2: WIRING DIAGRAM FOR HPN -000

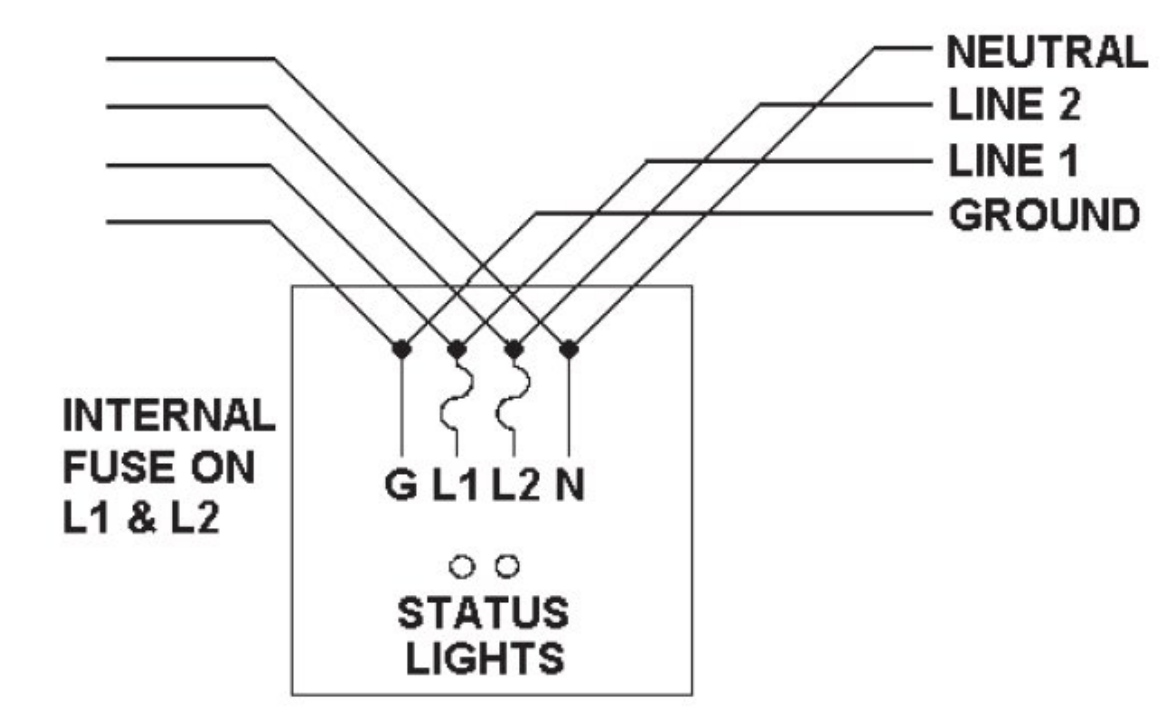


FIGURE 5: WIRING DIAGRAM FOR HPN -002

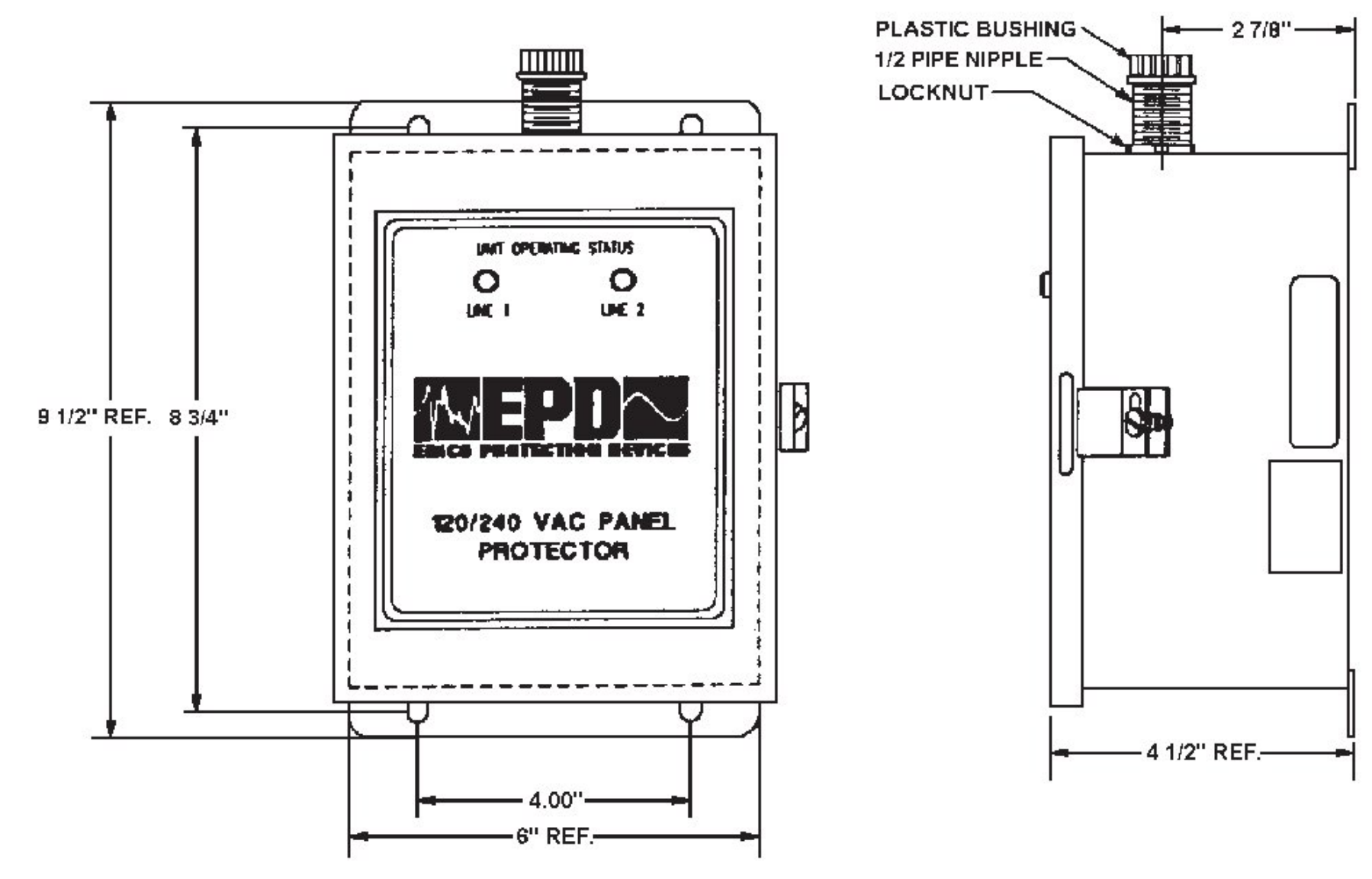


FIGURE 3: SURGE PROTECTOR HPN -001

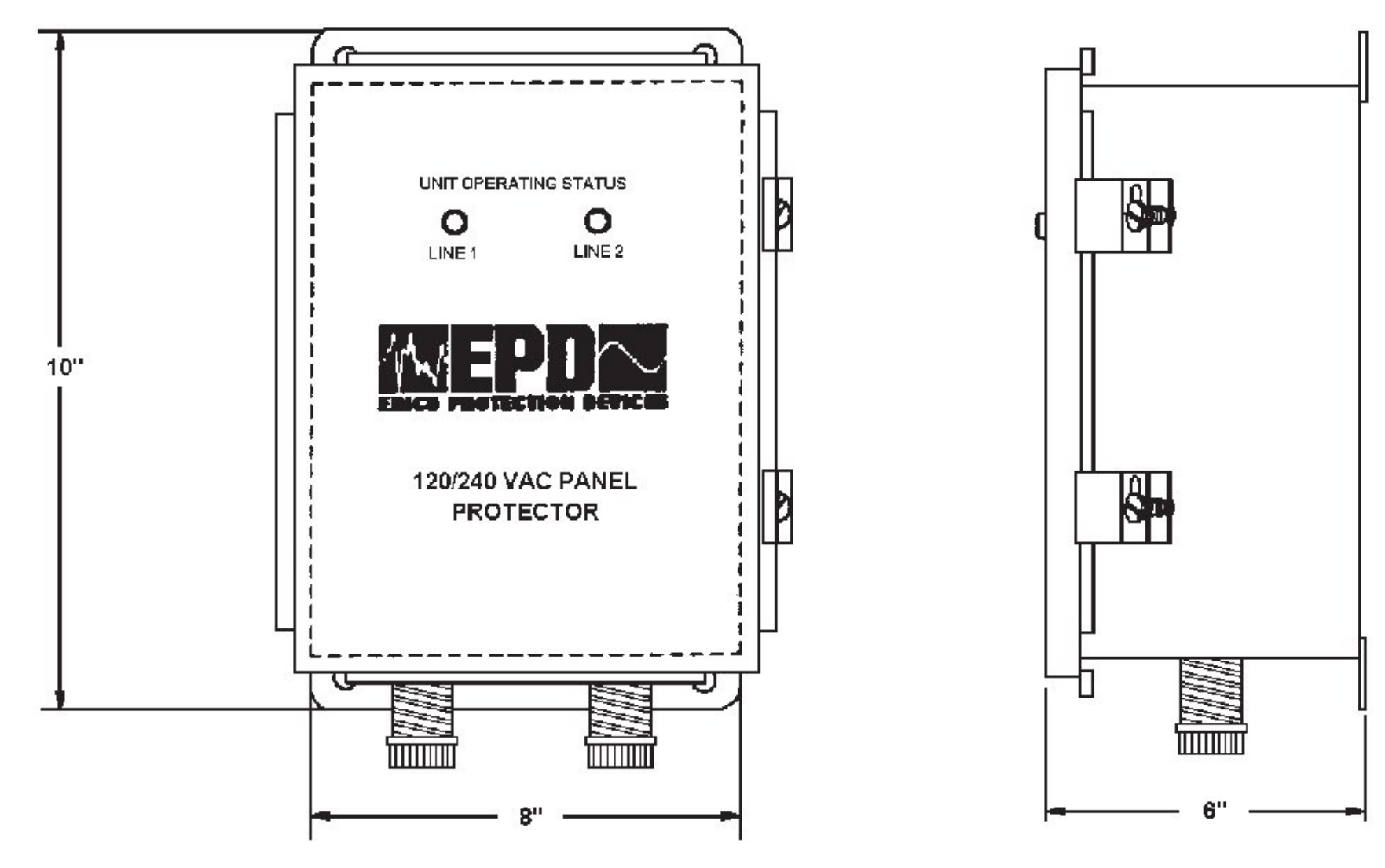
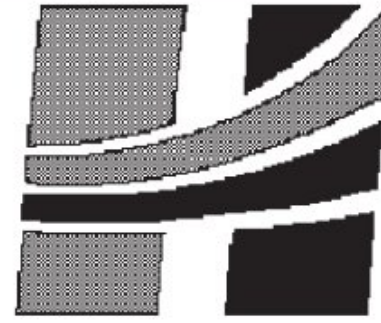


FIGURE 4: SURGE PROTECTOR HPN -002

REV	CC0
-----	-----

	Harmon Industries Grain Valley, MO	
	Title SURGE PROTECTOR WITH INDICATORS	
Drawing No. 010132-XXX	Sheet 2 of 3	